

PHILIPS



Surface and suspended

Although in many cases the functional lighting performance is key. Customers are also keen to apply luminaires that are attractive and/or unobtrusive. Especially in applications where luminaires need to be surface-mounted or suspended, Philips LED lighting gives you better choices to accomplish your goals.

CoreLine Surface-mounted 82 	SmartBalance, surface mounted 84 	TrueLine, surface mounted 86 	PowerBalance, surface mounted 88 
TrueLine, suspended 90 	LumiStone SP520P/SP522P/SP524P/SP526P 92 	SmartBalance, suspended 94 	



CoreLine Surface-mounted

The clear choice for LED

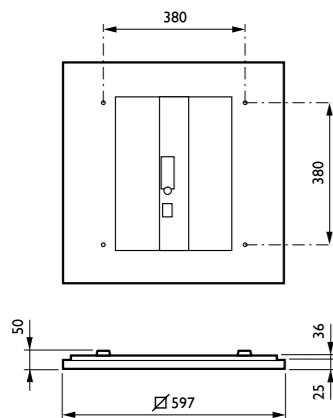
Whether for a new building or renovation of an existing space, customers want lighting solutions that provide quality of light and substantial energy and maintenance savings. The new CoreLine Surface-mounted range of LED products can be used to replace functional luminaires in general lighting applications. The process of selecting, installing and maintaining is so easy – it's a simple switch.

Features and Benefits

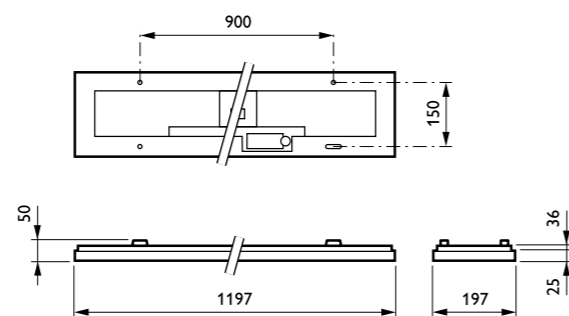
- Enables a simple switch from basic conventional luminaires to LED luminaires
- Energy saving of up to 45% compared to functional TL-D luminaires
- Slim design with a height of less than 40 mm
- Integrated LED technology
- Slim housing
- Suspension set available as an accessory
- Recessed version also available for use in grid ceilings

Product size

All dimensions in millimeters



CoreLine Surface-mounted SM120V



CoreLine Surface-mounted SM120V

50Khrs
110
lm/W

Technical parameters

Type	SM120V
Light source	LED module
Power	LED37S version: 40.5 W LED27S version: 24.5 W
Luminous flux	LED37S version: 3700 lm LED27S version: 2700 lm
Correlated Color Temperature	3000 K 4000 K
Color Rendering Index	≥ 80
Median useful life L70B50	50,000 hours
Median useful life L80B50	30,000 hours
Median useful life L90B50	15,000 hours
Driver failure rate	1.0% per 5000 hours
Average ambient temperature	25 °C
Driver	Built-in
Mains voltage	220-240 V / 50-60 Hz
Dimming	DALI
Material	Housing: pre-painted steel
Color	White
Optical cover	VAR-PC PC-LIN-SAT
Connection	With pull relief
Installation	Individual; clicking the luminaire into pre-screwed ceiling brackets
Accessories	Suspension set, SM120Z
Emergency	3 hours duration

SmartBalance, surface mounted



SmartBalance, surface mounted

Combining performance with smart design

SpaceWise system compatible

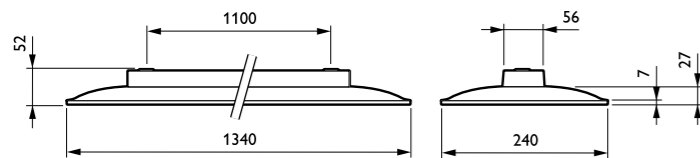
Although in many cases the functional lighting performance is key, customers are also keen to apply luminaires that are attractive and/or unobtrusive. Especially in applications where luminaires need to be surface-mounted or suspended, it can be difficult to satisfy both these requirements. SmartBalance is clearly the next step in surface-mounted and suspended luminaires for the specification market. It not only offers increased energy efficiency, but is also visually appealing without being intrusive. And its design helps to minimize clutter on the ceiling and meets all relevant office norms. SmartBalance is also available in recessed and free floor-standing versions.

Features and Benefits

- Operational cost savings – more energy-efficient than fluorescent
- Attractive, unobtrusive design – limits clutter on ceiling
- Office-norm-compliant
- Energy efficacy > 90 lm/W, allowing energy cost savings of around 30%
- Compact, lightweight and unobtrusive
- SmartBalance meets UGR 19 and two levels of L65, namely 1500/3000 cd/m²
- SmartBalance offers a number of options to meet the needs of the specification business, such as (wireless) DALI-controllable, emergency lighting, coupling parts

Product size

All dimensions in millimeters



SmartBalance SM480C

70Khrs
87
lm/W

Technical parameters

Type	SM480C
Light source	Philips Fortimo LED Line 1R
Power (±10%)	40 W (4000 K / ACC-MLO)
Luminous flux	3000 or 3500 lm
Correlated Color Temperature	3000 or 4000 K
Color Rendering Index	>80
Median useful life L70B50	70,000 hours
Median useful life L80B50	50,000 hours
Median useful life L90B50	25,000 hours
Driver failure rate	1% per 5000 hours
Average ambient temperature	25 °C
Driver	Built-in
Mains voltage	220-240 V / 50-60 Hz
Dimming	Dimmable
Controls system input	DALI
Options	ActiLume Wireless system
Material	Housing: polycarbonate and sheet metal Cover / optic: PMMA or polycarbonate
Color	White (WH) or silver grey (SI)
Optic	OLC micro-lens optic made of clear acrylic (ACC-MLO)
Connection	Push-in connector (PI)
Maintenance	Optical module sealed for life; no internal cleaning required
Installation	Individual; locking the luminaire into pre-mounted ceiling plate (delivered with the luminaire) Through-wiring possible Optional: use of surface mounted gear tray adapter
Emergency	1.5 hours duration



TrueLine, surface mounted

True line of light – elegant, energy-efficient and compliant with office lighting norms

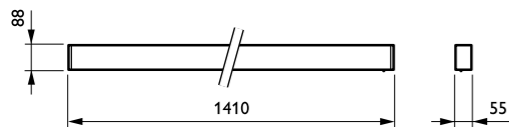
Architects need a lighting solution that matches the interior architecture of the property they are working on. They want a light line with an elegant design and very high light levels. Specifiers need luminaires that enable them to save energy while at the same time providing the right level of light, in compliance with office lighting norms. And office workers want visually comfortable lighting conditions that help them perform better. TrueLine Recessed is able to meet all these different requirements. TrueLine is also available in recessed and suspended versions.

Features and Benefits

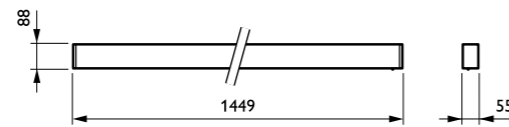
- The most uniform exit window
- Extremely high efficacy for a line luminaire
- Luminaire housing dimensions co-developed with leading office architects
- Luminous efficacy higher than 100 Lm/W
- Complies with office lighting norms
- Stand-alone and continuous lines
- Recessed and suspended versions also available
- Direct and indirect light
- Homogeneous exit window
- Future-proof: PoE

Product size

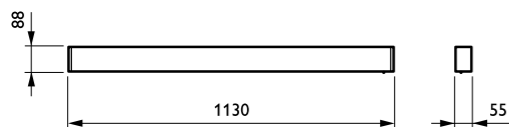
All dimensions in millimeters



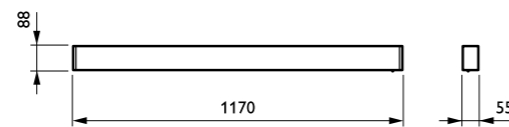
TrueLine surface-mounted SM530C/SM531C



TrueLine surface-mounted SM530C/SM531C



TrueLine surface-mounted SM530C/SM531C



TrueLine surface-mounted SM530C/SM531C

70Khrs
100
lm/W

Technical parameters

Type	SM530C (office compliant version) SM531C (non-office compliant version)
Light source	Non-replaceable LED module
Power (±10%)	Office compliant (OC), 1130 and 1170 mm, 4000 K versions: 10.2 W (direct 1500 lm) 18 W (direct 2500 lm) 25.5 W (direct 3400 lm) 31.5 W (direct 4000 lm) Non-office compliant (NOC) 1130 and 1170 mm, 4000 K versions: 15 W (direct 1500 lm) 26 W (direct 2500 lm) Office compliant (OC) 1410 and 1450 mm, 4000 K versions: 14 W (direct 1900 lm) 22.5 W (direct 3100 lm) 33.5 W (direct 4300 lm) 39.5 W (direct 5000 lm) Non-office compliant (OC) 1410 and 1450 mm, 4000 K versions: 19.4 W (direct 1900 lm) Office compliant (OC) 1130 and 1170 mm, 3000 K versions: 10.8 W (direct 1500 lm) 19.6 W (direct 2500 lm) 27 W (direct 3400 lm) 32.5 W (direct 4000 lm) Non-office compliant (NOC) 1130 and 1170mm, 3000 K: 16 W (direct 1500 lm) 27.5 W (direct 2500 lm) Office compliant (OC) 1410 and 1450 mm, 3000 K versions: 14.6 W (direct 1900 lm) 24 W (direct 3100 lm) 35.5 W (direct 4300 lm) 42 W (direct 5000 lm) Non-office compliant (OC) 1410 and 1450 mm, 3000 K versions: 20 W (direct 1900 lm)
Beam angle	80 ° (OC version), 110 ° (NOC version)
Luminous flux	1500 to 5000 lm (4000 K)
Correlated Color Temperature	3000 or 4000 K
Color Rendering Index	>80
Median useful life L70B50	70,000 hours
Median useful life L80B50	50,000 hours
Median useful life L90B50	25,000 hours
Driver failure rate	1% per 5000 hours
Average ambient temperature	25 °C
Driver	Built-in
Power/Data supply	PDS-60 24 V; supply for indoor applications
Mains voltage	220-240 V / 50-60 Hz
Dimming	Compatible with many commercial available ELV dimmers
Controls system input	0-16 V, DALI
Material	Housing: anodized aluminum Driver box: steel Cover: PMMA or polycarbonate
Color	Aluminum (ALU)
Optical cover	Office compliant: PMMA, semi-transparent Non-office compliant: polycarbonate, opal
Connection	Push-in connector (PI) or with pull relief (PIP)
Maintenance	Optical module replaceable, no internal cleaning required
Installation	Individual or in line Through-wiring possible



PowerBalance, surface mounted

Sustainable performance

GreenOffice system compatible

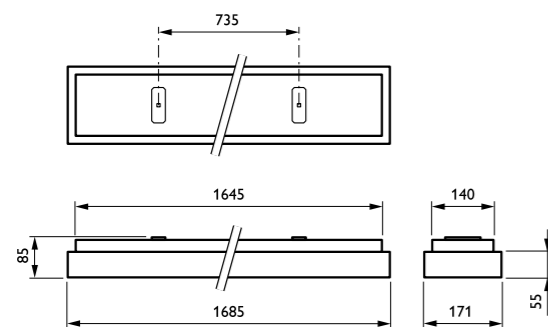
When it comes to lighting an office space with LED luminaires, people are usually willing to invest in sustainability provided the investment pays back. At the same time, the system should comply with office lighting norms to ensure a comfortable working environment. PowerBalance is Philips' most energy-efficient office-norm-compliant LED luminaire. It more than halves energy costs compared to a T5 solution, and the light source has a longer lifetime. This results in significantly lower operational costs, ensuring a payback that meets the needs of the specification market. PowerBalance surface-mounted luminaires are easy to install on ceilings thanks to their intuitive mounting system. PowerBalance is also available in a recessed version.

Features and Benefits

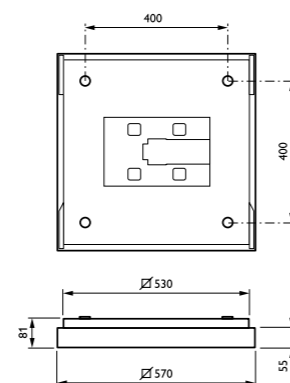
- Extremely efficient office-norm-compliant LED luminaire
- Good-quality lighting solution for direct replacement of T5 luminaires in most indoor applications
- Significantly reduces operational costs, resulting in an attractive payback time
- Easy and intuitive mounting system
- Advanced LED technology
- Available in different shapes and sizes
- Office norm-compliant

Product size

All dimensions in millimeters



PowerBalance SM460V



PowerBalance SM460V

50Khrs
105
lm/W

Technical parameters

Type	SM461V
Light source	Philips LED module PP
Power (±10%)	Square version (W57L57), 4000 K - LED40S: 35 W - LED34S: 29 W - LED28S: 25 W Rectangular version (W17L169), 4000 K - LED40S: 38 W - LED34S: 31 W - LED28S: 26 W
Beam angle	90°
Luminous flux	2800, 3400 or 4000 lm (depending on configuration)
Correlated Color Temperature	3000 or 4000 K
Color Rendering Index	≥ 80
Median useful life L80B50	50,000 hours
Median useful life L90B50	25,000 hours
Average ambient temperature	25 °C
Driver	Built-in
Mains voltage	220-240 V / 50 Hz
Dimming	DALI Dimmable (PSD) DALI Dimmable Touch and Dim (PSD-T)
Controls system input	DALI
Options	Controls: Actilume (ACL)
Material	Housing: coated steel and plastic Rim: powder coated steel Optics: plastic
Color	White
Optic	Wide beam
Connection	Push-in connector with pull relief (PIP)
Maintenance	Optical module sealed for life; no internal cleaning required
Installation	Square version: individual; locking the luminaire into pre-mounted ceiling plate (delivered with the luminaire) Rectangular version: individual or in line; clicking the luminaire into pre-screwed ceiling brackets Through-wiring possible
Accessories	Dedicated suspension sets for square and rectangular versions
Emergency	3 hours duration



TrueLine, suspended

True line of light: elegant, energy-efficient and compliant with office lighting norms

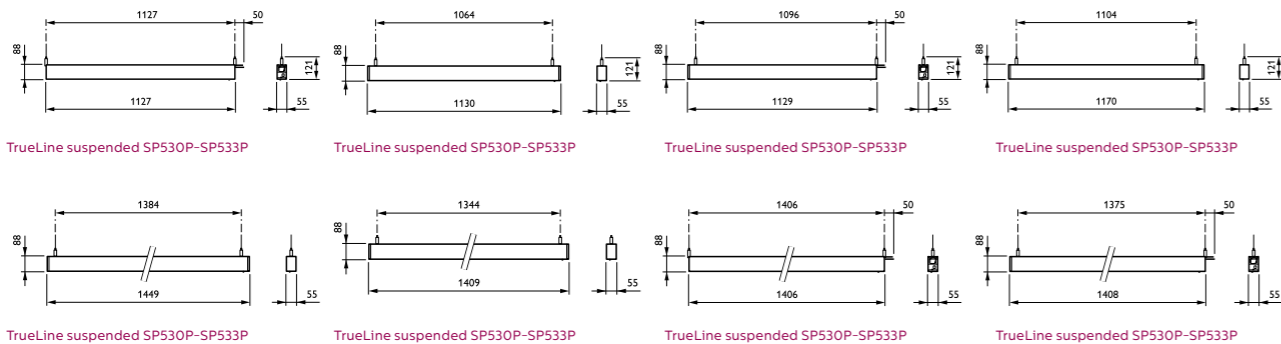
Features and Benefits

Architects need a lighting solution that matches the interior architecture of the property they are working on. They want a light line with an elegant design and very high light levels. Specifiers need luminaires that enable them to save energy while at the same time providing the right level of light, in compliance with office lighting norms. TrueLine, suspended is able to meet both sets of requirements. TrueLine is also available in recessed and surface-mounted versions.

- The most uniform exit window
- Extremely high efficacy for a line luminaire
- Luminaire housing dimensions most favored by architects
- Luminous efficacy > 100 lm/W
- Complies with office lighting norms
- Stand-alone and continuous lines
- Recessed version also available
- Direct and indirect light
- Homogeneous exit window
- Future-proof: PoE

Product size

All dimensions in millimeters



70Khrs
110
lm/W

Technical parameters

Type	SP530P (office compliant direct-light version) SP531P (non-office compliant direct-light version) SP532P (office compliant direct/indirect-light version) SP533P (non-office compliant direct/indirect-light version)	
Light source	Non-replaceable LED module	
Power (±10%)	Office compliant (OC), 1130 and 1170 mm, 4000 K versions: 10.2 W (direct 1500 lm) 18 W (direct 2500 lm) 25.5 W (direct 3400 lm) 31.5 W (direct 4000 lm) 15.2 W (direct 1500 lm, indirect 660 lm, total 2160 lm) 26.5 W (direct 2500 lm, indirect 1100 lm, total 3600 lm) 37.5 W (direct 3400 lm, indirect 1550 lm, total 4950 lm) 46 W (direct 4000 lm, indirect 1850 lm, total 5850 lm) Non-office compliant (NOC) 1130 and 1170 mm, 4000 K versions: 15 W (direct 1500 lm) 26 W (direct 2500 lm) 22.5 W (direct 1500 lm, indirect 940 lm, total 2440 lm) 38.5 W (direct 2500 lm, indirect 1600 lm, total 4100 lm) Office compliant (OC) 1410 and 1450 mm, 4000 K versions: 14 W (direct 1900 lm) 22.5 W (direct 3100 lm) 33.5 W (direct 4300 lm) 39.5 W (direct 5000 lm) 21.5 W (direct 1900 lm, indirect 1000 lm, total 2900 lm) 36 W (direct 3100 lm, indirect 1650 lm, total 4750 lm) 52 W (direct 4300 lm, indirect 2300 lm, total 6600 lm) 62 W (direct 5000 lm, indirect 2700 lm, total 7700 lm) Non-office compliant (OC) 1410 and 1450 mm, 4000 K versions: 19.4 W (direct 1900 lm) 30.5 W (direct 1900 lm, indirect 1400 lm, total 3300 lm) 52 W (direct 3100 lm, indirect 2300 lm, total 5400 lm)	Office compliant (OC) 1130 and 1170 mm, 3000 K versions: 10.8 W (direct 1500 lm) 19.6 W (direct 2500 lm) 27 W (direct 3400 lm) 32.5 W (direct 4000 lm) 16.2 W (direct 1500 lm, indirect 660, total 2160 lm) 28.5 W (direct 2500, indirect 1100, total 3600 lm) 39.5 W (direct 3400, indirect 1550, total 4950 lm) 48 W (direct 4000, indirect 1850, total 5850 lm) Non-office compliant (NOC) 1130 and 1170mm, 3000 K: 16 W (direct 1500 lm) 27.5 W (direct 2500 lm) 23.5 W (direct 1500 lm, indirect 940 lm, total 2440 lm) 40.5 W (direct 2500 lm, indirect 1600 lm, total 4100 lm) Office compliant (OC) 1410 and 1450 mm, 3000 K versions: 14.6 W (direct 1900 lm) 24 W (direct 3100 lm) 35.5 W (direct 4300 lm) 42 W (direct 5000 lm) 22.5 W (direct 1900 lm, indirect 1000 lm, total 2900 lm) 38 W (direct 3100 lm, indirect 1650 lm, total 4750 lm) 55 W (direct 4300 lm, indirect 2300 lm, total 6600 lm) 66 W (direct 5000 lm, indirect 2700 lm, total 7700 lm) Non-office compliant (OC) 1410 and 1450 mm, 3000 K versions: 20 W (direct 1900 lm) 32 W (direct 1900 lm, indirect 1400 lm, total 3300 lm) 55 W (direct 3100 lm, indirect 2300 lm, total 5400 lm)
Beam angle	80 ° (OC), 110 ° (NOC)	
Luminous flux	1500 to 7700 lm (4000 K)	
Correlated Color Temperature	3000 or 4000 K	
Color Rendering Index	>80	
Median useful life L70B50	70,000 hours	
Median useful life L80B50	50,000 hours	
Median useful life L90B50	25,000 hours	
Driver failure rate	1% per 5000 hours	
Average ambient temperature	25 °C	
Driver	Built-in	
Power/Data supply	PDS-60 24 V; supply for indoor and outdoor applications	
Mains voltage	220-240 V / 50-60 Hz	
Dimming	Compatible with many commercial available ELV dimmers	
Controls system input	0-16 V, DALI	
Options	Central battery	
Material	Housing: anodized aluminum Driver box: steel Cover: PMMA or polycarbonate	
Color	Aluminum (ALU)	
Optical cover	Office compliant: PMMA, semi-transparent Non-office compliant: polycarbonate, opal	
Connection	Push-in connector (PI) or with pull relief (PIP)	
Maintenance	Optical module replaceable, no internal cleaning required	
Installation	Fixation by means of brackets Individual or in line; suspended mounting with three different options: SM2 (one 2-wire bag, one Reutlinger for ceiling side, one ceiling cap) SW2 (one 2-wire bag, one (for LF1) or two (for BV/LE1) Reutlingers, one tool to fix the alignment profile (for LF1)) SMTT (one 2-wire bag, one (for LF1) or two (for BV/LE1) T-bar ceiling clips, one (for LF1) or two (for BV/LE1) Reutlingers, one tool to fix the alignment profile (for LF1)) Through-wiring possible	
Remarks	Suspension set to be delivered with the luminaire	



LumiStone SP520P/SP522P/SP524P/SP526P

Inspiring performance

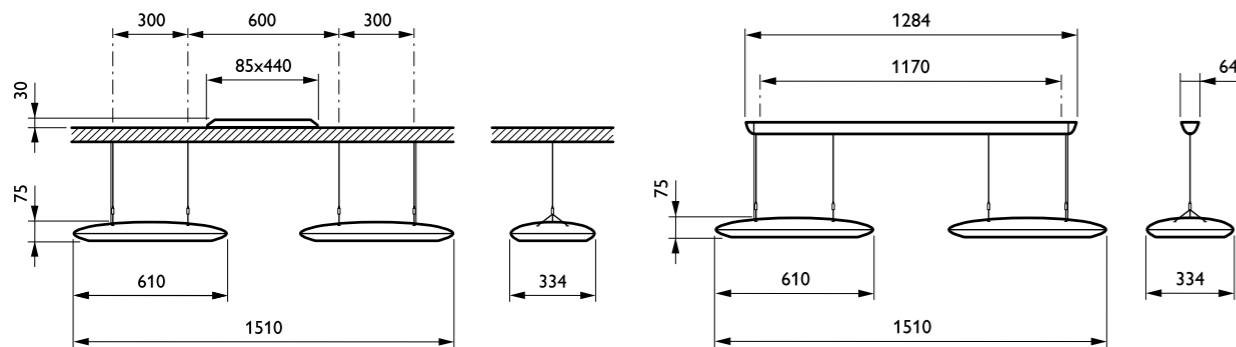
Customers within the office, retail and hospitality sectors want to create spaces with a pleasant and inviting atmosphere. Luminaires with an appealing design and top-notch performance play a pivotal role in achieving this. LumiStone is a LED luminaire consisting of two smaller ellipses rather than the traditional single voluminous piece. The ellipses have soft curvatures and resemble smooth stones found in nature. The flexible light effects created with direct and indirect light make LumiStone the perfect choice for inspiring lighting designs. Thanks to its cutting-edge LED technology, LumiStone is also highly energy-efficient, delivering immediate savings on operational costs. A range of innovative mounting options make LumiStone extremely versatile in application.

Features and Benefits

- Creates a truly inspiring environment with appealing design and indirect lighting
- Over 50% energy savings compared to a functional luminaire, and even more compared to decorative solutions
- Many variations thanks to innovative mounting options
- Choice of direct and direct/indirect lighting
- Office norm-compliant
- Versions available for concrete and recessed ceilings

Product size

All dimensions in millimeters



LumiStone SP520P-SP526P

LumiStone SP520P-SP526P

50Khrs
100
lm/W

Technical parameters

Type	SP520P (dual module, clips to an exposed T-bar ceiling, direct lighting) SP522P (dual module, clips to an exposed T-bar ceiling, direct and indirect lighting) SP524P (dual module, decorative ceiling bar, direct lighting) SP526P (dual module, decorative ceiling bar, direct and indirect lighting)
Light source	Philips LED module PP
Power (±10%)	SP520P and SP524P: 29 W, 31 W SP522P and SP526P: 38 W, 40 W
Luminous flux	SP520P and SP524P: 3000 lm in total, 1500 lm for each ellipse SP522P and SP526P: 4000 lm in total, 2000 lm for each ellipse
Correlated Color Temperature	3000 or 4000 K
Color Rendering Index	≥ 80
Median useful life L80B50	50,000 hours
Median useful life L90B50	25,000 hours
Driver failure rate	1% per 5000 hours
Average ambient temperature	25 °C
Driver	SP520P and SP522P: separate SP524P and SP526P: built in
Mains voltage	220-240 V / 50-60 Hz
Dimming	Dimmable
Controls system input	DALI
Material	Housing and optics: poly-carbonate
Color	White (WH) and light grey (GR)
Optic	Poly-carbonate LED cup
Connection	Push-in connector with pull relief
Installation	SP520P and SP522P: connection with clips to an exposed T-bar ceiling with two triangular steel-wire suspensions (SMTT), both with metal-like power cord, 150 cm, driver in separate driver box SP524P and SP526P: decorative ceiling bar with integrated driver, screw mounting to ceiling Through-wiring possible: no



SmartBalance, suspended

Combining performance with smart design

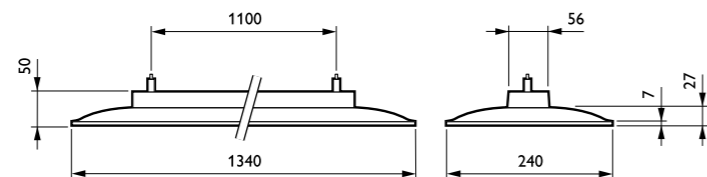
Although in many cases the functional lighting performance is key, customers are also keen to apply luminaires that are attractive and/or unobtrusive. Especially in applications where luminaires need to be surface-mounted or suspended, it can be difficult to satisfy both these requirements. SmartBalance is clearly the next step in surface-mounted and suspended luminaires for the specification market. It not only offers increased energy efficiency, but is also visually appealing without being intrusive. And its design helps to minimize clutter on the ceiling and meets all relevant office norms. SmartBalance is also available in recessed and free floor-standing versions.

Features and Benefits

- Operational cost savings – more energy-efficient than fluorescent
- Attractive, unobtrusive design – limits clutter on ceiling
- Office-norm-compliant
- Energy efficacy > 90 lm/W, allowing energy cost savings of around 30%
- Compact, lightweight and unobtrusive
- SmartBalance meets UGR 19 and two levels of L65, namely 1500/3000 cd/m²
- SmartBalance offers a number of options to meet the needs of the specification business, such as (wireless) DALI-controllable, emergency lighting, coupling parts

Product size

All dimensions in millimeters



SmartBalance SP480P/SP482P

70Khrs
93
lm/W

Technical parameters

Type	SP480P (direct lighting version) SP482P (direct / indirect lighting version)
Light source	Philips Fortimo LED Line 1R
Power (±10%)	SP480P: 40 W (4000 K / ACC-MLO) SP482P: 43 W (4000 K / ACC-MLO)
Luminous flux	3000, 3500 or 4000 lm
Correlated Color Temperature	3000 or 4000 K
Color Rendering Index	>80
Median useful life L70B50	70,000 hours
Median useful life L80B50	50,000 hours
Median useful life L90B50	25,000 hours
Driver failure rate	1% per 5000 hours
Average ambient temperature	25 °C
Driver	Built-in
Mains voltage	220-240 V / 50-60 Hz
Dimming	Dimmable
Controls system input	DALI
Options	Coupling piece (to connect up to 3 luminaires) ActiLume Wireless system
Material	Housing: polycarbonate and sheet metal Cover / optic: PMMA or polycarbonate
Color	White (WH) or silver grey (SI)
Optic	OLC micro-lens optic made of clear acrylic (ACC-MLO)
Connection	Push-in connector (PI)
Maintenance	Optical module sealed for life; no internal cleaning required
Installation	Suspended mounting with a set of single steel-wire suspensions including a power cord, 170 cm Suspension set SM1: set with twin metal tubes Suspension set SM2: set with ceiling cap and metal tube Suspension set SMT1: connection with clips to an exposed T-bar ceiling with two steel-wire suspensions Fast fine adjustment with clutch device (Reutlinger) Through-wiring possible Optional: coupling piece for mechanical and power/data connection of up to three suspended luminaires
Emergency	1.5 hours duration