


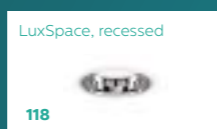



# PHILIPS



## Downlight

When you decrease the space between luminaires, you can increase the feeling of comfort and safety. We recommend downlights with wide light distribution in confined spaces, helping to illuminate faces and objects. You can also guide visitors through corridors by the use of lights on doors and walls.

<p>CoreLine Downlight</p>  <p>98</p>	<p>CoreLine SlimDownlight</p>  <p>100</p>	<p>GreenSpace</p>  <p>102</p>	<p>GreenSpace Gen4</p>  <p>104</p>
<p>GreenSpace Surface-mounted LED Downlight</p>  <p>106</p>	<p>SmartBright LED Downlight G4</p>  <p>108</p>	<p>LD112 Down Light</p>  <p>110</p>	<p>LuxSpace Gen3</p>  <p>112</p>
<p>LuxSpace PoE</p>  <p>114</p>	<p>LuxSpace Mini, recessed</p>  <p>116</p>	<p>LuxSpace, recessed</p>  <p>118</p>	<p>LuxSpace square, recessed</p>  <p>120</p>





# CoreLine Downlight

The clear choice for LED

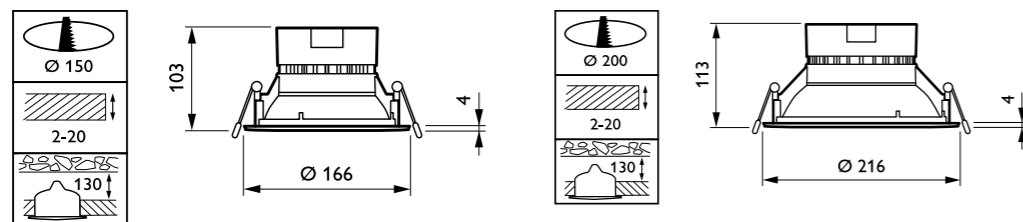
The CoreLine Downlight range of recessed luminaires is designed to replace CFL-ni/CFL-i based downlight luminaires. Their attractive TCO helps customers to make the switch to LED. These luminaires create a natural lighting effect for use in general lighting applications. They also deliver instant energy savings and have a much longer lifetime, creating a real value-for-money and environmentally friendly solution. They are easy to install thanks to their standard cut-out size and push-in connectors.

## Features and Benefits

- Reduced operating costs thanks to energy saving and longer lifetime
- One-to-one replacement, facilitating the switch from conventional to LED luminaires
- Suitable for professional applications thanks to DALI dimming and aluminum reflector
- Available in 1100 and 2100 lumen versions
- Energy-efficient: up to 100 lm/W
- DALI version available
- Choice of color temperature: 3000 and 4000 K
- Protected glass available as an option (also enables IP44 protection)

## Product size

All dimensions in millimeters



50Khrs  
Up to  
96  
lm/W



## Technical parameters

Type	DN130B (version with white reflector) DN131B (version with aluminum reflector)
Ceiling type	Plaster (board) ceiling
Light source	Non replaceable LED module
Power	11 W (1100 lm) 22 W (2100 lm)
Efficacy	Up to 100 lm/W
Luminous flux	1100 lm 2100 lm
Correlated Color Temperature	3000 K (Warm white) 4000 K (Neutral white)
Color Rendering Index	80
Median useful life L70B50	50,000 hours
Median useful life L80B50	30,000 hours
Median useful life L90B50	15,000 hours
Driver failure rate	1.5% per 5000 hours
Average ambient temperature	25 °C
Driver	Built-in External, with DALI interface
Mains voltage	230 or 240 V / 50-60 Hz
Dimming	DALI dimmable Not dimmable
Controls system input	DALI
Material	Housing: plastic Reflector: plastic
Color	DN130B: white reflector / white rim DN131B: aluminium reflector / white rim
Optic	Reflector, white / aluminum
Connection	Push-in connector with pull relief
Installation	Fixation by spring fasteners Through-wiring possible (not for DALI version)
Accessories	Protected glass also creating IP44
Remarks	DALI version has external driver
Emergency	3 hours duration



# CoreLine SlimDownlight

The clear choice for LED

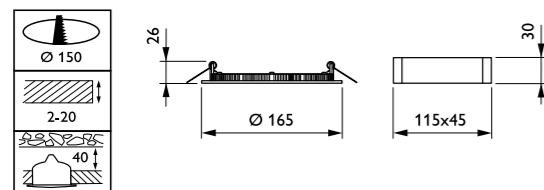
CoreLine SlimDownlight is a range of ultra-thin recessed luminaires designed to replace downlight luminaires based on CFL-ni/CFL-I lamp technology. The product's attractive TCO makes it easy for customers to make the switch to LED. CoreLine SlimDownlight delivers a natural 'surface of light' effect for use in general lighting applications. It also offers instant energy savings and a much longer lifetime, making it a real value-for-money and environmentally friendly solution. Installation is easy, as the luminaire fits the same size of cut-out and has an extremely small build-in depth.

## Features and Benefits

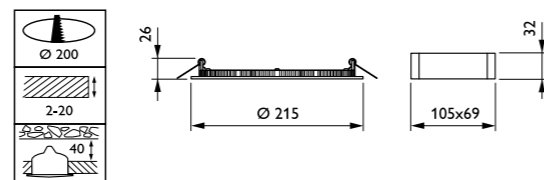
- Energy savings and longer lifetime reduce operating costs
- One-to-one replacement for conventional luminaires
- The natural 'surface of light' effect creates a comfortable, high-end look
- Diffuse light quality
- Product height of less than 50 mm: fits more ceiling types
- Surface-mounted version enables luminaire to be positioned anywhere
- Available in 1000 and 2000 lumen versions
- Choice of color temperature: 3000 and 4000 K

## Product size

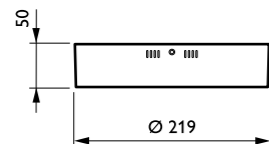
All dimensions in millimeters



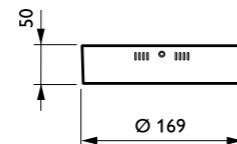
CoreLine SmartDownlight DN135B/DN135C



CoreLine SmartDownlight DN135B/DN135C



CoreLine SmartDownlight DN135B/DN135C



CoreLine SmartDownlight DN135B/DN135C

50Khrs  
Up to  
72  
lm/W

## Technical parameters

Type	DN135B (recessed version) DN135C (surface mounted version)
Ceiling type	Plaster (board) ceiling
Light source	Non-replaceable LED module
Power	13 W (LED10S) 28 W (LED20S)
Luminous flux	1000 or 2000 lm
Correlated Color Temperature	3000 K (Warm white) 4000 K (Neutral white)
Color Rendering Index	80
Median useful life L70B50	50,000 hours
Median useful life L80B50	30,000 hours
Median useful life L90B50	15,000 hours
Average ambient temperature	25 °C
Driver	Separate
Mains voltage	230 or 240 V / 50-60 Hz
Dimming	No dimming
Optic	Round-lit with light guide
Optical cover	Diffuse front foil
Material	Housing: die-cast aluminum Reflector: PMMA
Color	White (WH)
Connection	Push-in connector or with pull relief
Installation	Fixation by means of spring fasteners (recessed version) Metal base plate and screws (surface mounted version) Individual; locking the luminaire into pre-mounted ceiling plate, delivered with the luminaire (surface mounted version) Through-wiring not possible



# GreenSpace

## High-efficiency sustainable LED solution

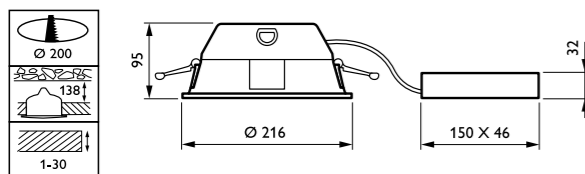
Customers want to strike the ideal balance between their initial investment and the cost of the installation during its lifetime. GreenSpace is a cost-efficient and sustainable downlight that can be used to replace conventional CFL downlights in general lighting applications. It features the latest LED technology, which enables extremely low power consumption, while delivering consistent light output, stable color performance and high color rendering. The product's long lifetime makes it a true 'fit and forget' solution.

### Features and Benefits

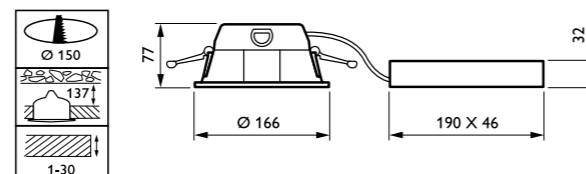
- Good value for money LED Downlight resulting in low return of investment years due to high energy saving and long lifetime.
- Wide portfolio to cover many customer needs and multiple applications
- Office lighting norm-compliant, with stable color performance and high color rendering
- Energy-efficient, durable LED technology
- High system efficacy: typically 111 lm/W (mini, DN460B/DN461B)
- Stable color performance maximum SDCM 5 and high color rendering CRI80+
- Available with protective glass cover making it IP44 and emergency lighting
- Available in UGR22 and UGR19 versions
- Available in 3000 lumen to cover application with extra height ceilings
- Compatible with light control system via 1-10 V driver
- Fast installation due to variety of connections and cables

### Product size

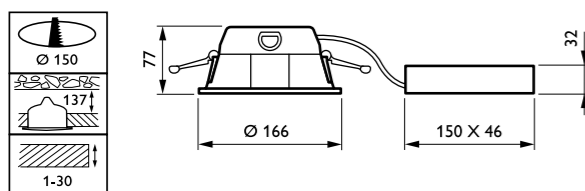
All dimensions in millimeters



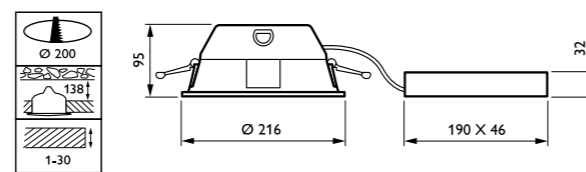
GreenSpace gen2 DN460B-DN471B



GreenSpace gen2 DN460B-DN471B



GreenSpace gen2 DN460B-DN471B



GreenSpace gen2 DN460B-DN471B



70Khrs  
Up to  
105  
lm/W

### Technical parameters

Type	DN460B (UGR22 version, mini) DN461B (UGR19 version, mini) DN470B (UGR22 version, compact) DN471B (UGR19 version, compact)
Ceiling type	Plaster (board) ceiling
Light source	Non replaceable LED module
Power	DN460B / DN461B: 13.8 W DN470B / DN471B: 21 W
Luminous flux	DN460B: 1200 lm DN461B: 1150 lm DN470B: 2200 lm DN471B: 2100 lm
Correlated Color Temperature	Warm white, 3000 K Neutral white, 4000 K
Color Rendering Index	> 80
Median useful life L70B50	70,000 hours
Median useful life L80B50	50,000 hours
Median useful life L90B50	25,000 hours
Average ambient temperature	25 °C
Driver	Separate
Mains voltage	230 or 240 V / 50-60 Hz
Dimming	Non-dimming and DALI versions
Options	IP20 and IP44 versions Through-wiring versions (CU3) Protection glass, opal (PGO)
Material	Housing: die-cast aluminum Reflector: plastic, aluminum coated
Color	White, RAL 9010
Optic	Reflector, plastic with aluminum coating
Connection	Push-in connector (PI) or with pull relief (PIP)
Installation	Fixation by means of spring fasteners Through-wiring versions available Installation without removing lamps and optic
Remarks	External driver included
Emergency	3 hours duration



# GreenSpace Gen4

Best TCO payback story LED specification downlight

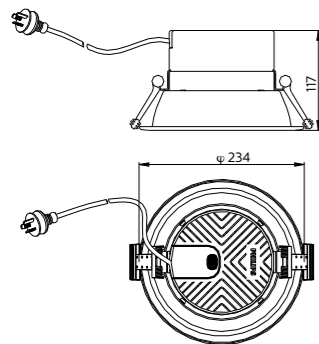
### Features and Benefits

GreenSpace Gen4 is the new LED downlight with high efficacy (95~100lm/W) delivering substantial energy saving. It offers diverse configurations within 600~2,000lm. GreenSpace Gen4 could apply to shopping mall, retail store and office application with different variants. The lifetime is 50,000 hours (L70 @ 25°C)

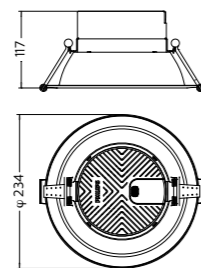
- Energy saving counting on high system efficacy
- Easy: Integral light weight design, saving installation cost
- Diversity: 4 lumen package; 3 CCT; 3 Cut-out size; UGR22/25; Fixed/DALI to cater to customers' needs
- System efficiency 95~100lm/W
- CRI 80+, SDCM <5
- High reliability, 50k hours (L70@25°C)

### Product size

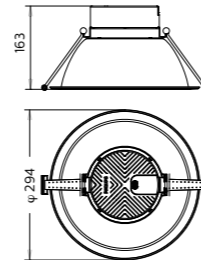
All dimensions in millimeters



DN284B8-  
DN285B8-



DN284B8-  
DN285B8-



DN284B10-  
DN285B10-



IP20/  
IP44    50Khrs    Up to  
105  
lm/W

Technical parameters	
Product	GreenSpace Gen4, WH (UGR25 version)
Type	DN290/291/292/293
System lumen output	650lm, 1100lm, 1600lm, 2200lm
Voltage	220-240V 50/60Hz
Power consumption	7W / 11.5W / 16W / 22W
Efficacy	95lm/W ~ 100lm/W
LED driver	Fixed output (Integrated with luminaire) / DALI (Stand alone driver)
SDCM	<5
CRI	>80
Color temperature	3000K / 4000K / 6500K
Reflector	White
Materials and finishing	PC diffuser with high haze and light transmission High reflectance painted plastic reflector (white color) PC plastic driver box Die-casting aluminum heat sink
Lifetime	50,000 hours (70% lumen maintenance @ Ta = 25°C)
Working Temperature Range	- 20°C < Ta < 40°C
Cut-out	DN290-105-110mm, DN291-150-155mm, DN292/293-200-205mm
Dimensions (Dia x H)	DN290B: Ø122 x 95mm DN291B: Ø167 x 105mm DN292B: Ø218 x 114mm DN293B: Ø218 x 114mm
Weight	DN290B: 0.28KG DN291B: 0.38KG DN292B: 0.5KG DN293B: 0.5KG
IP rating	IP20 / IP44 (Upcoming)
Certifications	CB, EMC, CE

Technical parameters	
Product	GreenSpace Gen4, ALU (UGR22 version)
Type	DN290/291/292/293
System lumen output	650lm, 1100lm, 1600lm, 2300lm
Voltage	220-240V 50/60Hz
Power consumption	7W / 11.5W / 16W / 22W
Efficacy	95lm/W ~ 105lm/W
LED driver	Fixed output (Integrated with luminaire) / DALI (Stand alone driver)
SDCM	<5
CRI	>80
Color temperature	3000K / 4000K / 6500K
Reflector	Aluminum
Materials and finishing	PC diffuser with high haze and light transmission High purity aluminum with high reflectance coated reflector Tempered glass on the front cover PC plastic driver box Die-casting aluminum heat sink
Lifetime	50,000 hours (70% lumen maintenance @ Ta = 25°C)
Working Temperature Range	- 20°C < Ta < 40°C
Cut-out	DN290-105-110mm, DN291-150-155mm, DN292/293-200-205mm
Dimensions (Dia x H)	DN290B: Ø122 x 99mm DN291B: Ø167 x 109mm DN292B: Ø218 x 118mm DN293B: Ø218 x 118mm
Weight	DN290B: 0.34KG DN291B: 0.5KG DN292B: 0.75KG DN293B: 0.75KG
IP rating	IP20
Certifications	CB, EMC, CE



# GreenSpace Surface-mounted LED Downlight

Get ready to save more with just a simple switch. Philips GreenSpace Surface-mounted LED Downlight delivers a superior LED alternative that's up to 66% more energy efficient than the conventional downlight retrofits. Blending seamlessly into its environment, GreenSpace Surface-mounted LED Downlight mimics the form of conventional recessed downlights minus the associated high energy and maintenance costs.

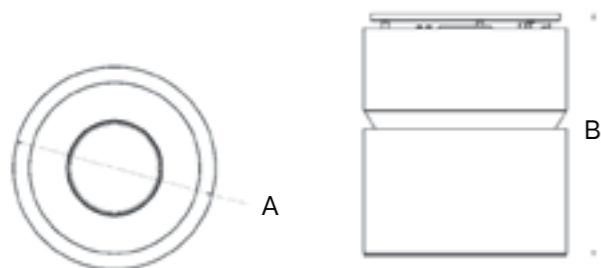
Philips GreenSpace Surface-mounted LED Downlight is also ideal for all commercial lighting applications as well as public indoor space where there is limited space in the ceiling.

## Features and Benefits

- System efficacy – 100lm/W, energy saving up to 66% vs conventional
- Reliable performance – Lifetime 50,000hours (L70B50@Ta25°C)
- Excellent light quality – CRI>=80 @3000K,4000K and 6500K
- Integral lightweight design – Installation cost is significantly reduced

## Product size

All dimensions in millimeters



Type	A	B
SM291C (IP20)	160	135
SM293C (IP20)	160	135
SM294C (IP20)	160	170
SM294C (IP65)	200	239
SM295C (IP20)	200	239
SM295C (IP65)	200	239



IP20/  
IP65

50Khrs

Up to  
100  
lm/W

## Technical parameters

Type	SM291C/293C/294C/295C
Lifetime	50,000hrs(L70B50 @Ta25°C)
Operation Temperature	-20°C < ta < 40°C
IP/IK rating	IP20/IP65
Classification	Class I
Certificate	CB/EMC/CE/SAA
Installation	Surface mounted
System Lumen	typical 1000lm/2000lm/3800lm/ 6600lm (@4000K)
Color temperature	3000K/4000K/6500K
CRI	CRI>80
Color consistency	SDCM<5
UGR	22-25
Beam Angle	SM291C/293C: 90° SM294C/295C: 60°
System Wattage	10W, 20W, 38W, 66W
Input Voltage	220-240V, 50/60 Hz
Driver	Fixed output
Power factor	>0.9
Housing material	Polycarbonate+Aluminum
Optical material	Aluminum reflector + PC diffuser
Dimensions	SM291C/293C (IP20): Ø160xH135mm SM294C (IP20): Ø160xH170mm SM294C (IP65): Ø200xH239mm SM295C (IP20/IP65): Ø200xH239mm
Weight	SM291C: 0.6Kg SM293C: 0.6Kg SM294C: 0.8Kg SM295C: 2.2Kg



# SmartBright LED Downlight G4

The smart choice LED

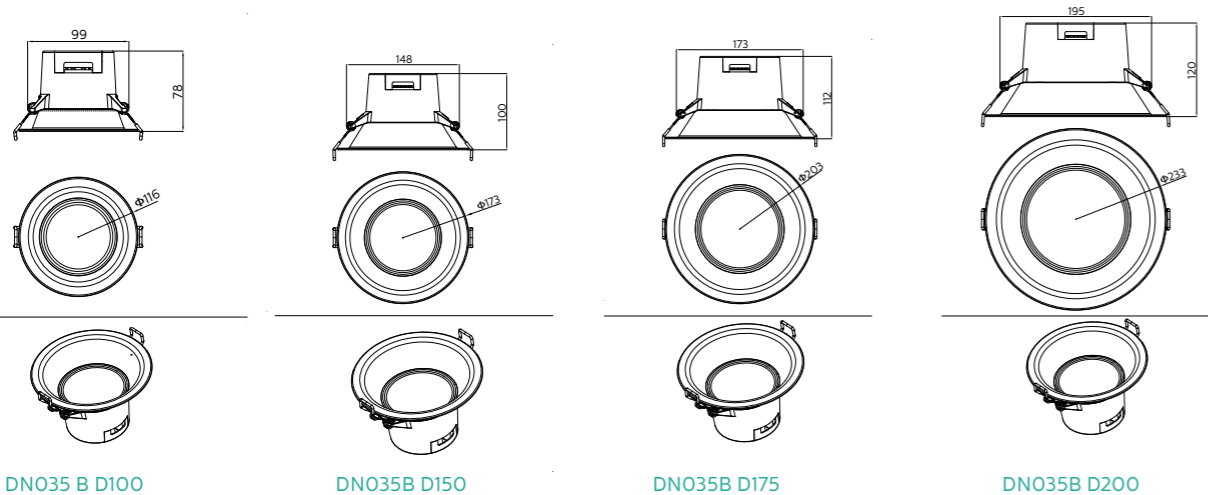
SmartBright LED Downlight G4 is value for money LED functional downlight with high efficacy (>85lm/W) delivering substantial energy saving. It offers diverse configurations from 600lm to 1,500lm output. It could apply to shopping mall, retail store, residential and office application with different variants.

### Features and Benefits

- Energy saving: counting on high system efficacy
- Easy: Integral light weight design, saving installation cost
- Diversity: 4 lumen package; 3 CCT; 4 Cut-out size to cater for different customers' needs
- System efficiency > 85lm/W
- CRI 80+, SDCM <5
- High reliability, 30Khours (L70B50@25°C)

### Product size

All dimensions in millimeters



IP20 30Khrs Up to 85 lm/W

### Technical parameters

Product	SmartBright LED Downlight G4, DN035B			
Type	LED6	LED8	LED12	LED15
System lumen output	600lm	800lm	1200lm	1500lm
SDCM	<5			
CRI	>80			
CCT	3000K/ 4000K / 5000K			
Voltage	220-240V 50/60Hz			
Power consumption	7W	9W	14W	16W
Efficacy	> 85 lm/w			
Power factor	>0.9			
LED driver	Fixed output (Integrated with luminaire)			
Connection	Screwterminal (CAU version: 1.2m flexi cable with plug)			
Materials and finishing	PCdiffuserwith high light transmission High reflectance aluminum reflector(white color)			
Lifetime	30,000 hours (70% lumen maintenance @ 25°C)			
Working Temperature Range	-20°C < Ta < +40°C			
Cut-out	100mm	150mm	175mm	200mm
Dimensions (Dia x H)	Ø116x78 (mm)	Ø173x100 (mm)	Ø203x112 (mm)	Ø233x120 (mm)
Classification	Class II			
IP rating	IP20			
Certifications	CE, CB, EMC, CCC, AS/NZS(IC)			



# LD112 Down Light

## Recessed mounted LED downlight

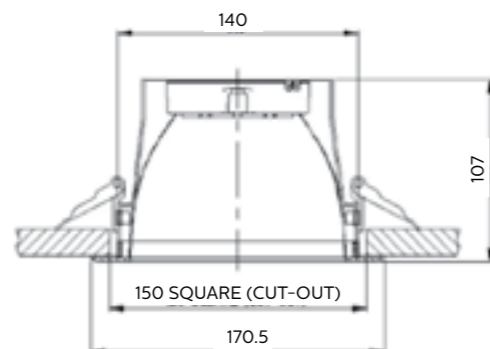
### Features and Benefits

LD112 is the new LED downlight with extremely high efficacy (up to 75 lm/W) delivering substantial energy saving. It is the only product that is square in shape.

- Ideal for making the switch from CFL to LED

### Product size

All dimensions in millimeters



50Khrs  
Up to  
75  
lm/W

### Technical parameters

Type	LD112 Down Light
Ceiling Type	Plaster (board) ceiling
Light Source	PrevalLED Cube AC
Power	12W
Luminous Flux	900lm
Color Rendering Index	>80
Correlated Color Temperature	Warm white: 3000K Neutral white: 4000K
Maintenance of Lumen output L70B50	50Khrs @ 80°C Tc
Drive Current	-
Driver	Built-in
Voltage& Frequency	230V/50-60Hz
Dimming	No
Material	Bracket : Unpainted Aluminum Trim: Die Cast Aluminum Reflector: Aluminum
Emergency	No
Color	Trim: white (RAL-9016)
Optic	Built-in, white
Connection	Push in connector with pull relief
Installation	Fixation by spring fasteners Through wiring not possible





# LuxSpace Gen3

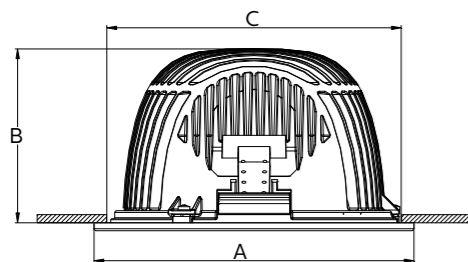
LuxSpace Gen3 is the new LED downlight with extremely high efficacy (up to 100lm/W) delivering substantial energy saving. It adopts a brand-new LED platform and optical technology for visual comfort; It has the wide portfolio with multiple lumen and dimension options and is designed with DALI and IP54 (only front side) versions for various applications.

## Features and Benefits

- 80% energy saving compared to traditional CFL downlights
- Excellent performance delivering high quality light with visual comfort
- Design continuity towards last generation, LuxSpace HE
- System efficiency of up to 100lm/W
- CRI 80, SDCM 3.5
- Good glare control, UGR 19 available
- High reliability, 50k hours (L70@25°C)

## Product size

All dimensions in millimeters



	A	B	C
DN478/PSD	Ø 137	75	Ø 125
DN488/PSD			
DN489/PSD	Ø 163	93	Ø 150
DN486/PSD			
DN487/PSD			
DN498/PSD			
DN499/PSD	Ø 218	125	Ø 200
DN496/PSD			
DN497/PSD			



IP20/  
IP54

50Khrs

Up to  
99  
lm/W

## Technical parameters

Type	DN478	DN488	DN489	DN486	DN487	DN498	DN499	DN496	DN497
System lumen output	600 lm	1000lm		1500lm		2000lm		3000lm	
Beam Angle	90°	90°	65°	90°	65°	90°	65°	90°	65°
SDCM	3								
CRI	80								
CCT	3000K/ 4000K								
UGR	22	22	19	22	19	22	19	22	19
Voltage	220-240V 50/60Hz								
LED driver	Remoted driver; fixed output(PSU) or DALI dimmable(PSD)								
Power consumption	7W(PSU) 8.5W (PSD)	10W (PSU) 12W(PSD)		15W(PSU) 18W (PSD)		20W (PSU) 23W(PSD)		34W(PSU) 35W (PSD)	
Power factor	0.9								
Materials and finishing	Housing: Die-cast aluminum, matt finishing; Glossy or Matt reflector: Stamping aluminum Glass: Tempered glass(PG version) White front ring, black back housing								
Lifetime	50,000 hours (L70B50 @ 25°C)								
Working Temperature Range	-20°C< Ta < 40°C								
Cut-out	Ø125 (mm)	Ø150 (mm)				Ø200 (mm)			
Dimensions (Dia x H)	Ø137 x 75 (mm)	Ø163 x 93 (mm)				Ø218 x 125 (mm)			
IP rating	IP20	IP20 PG version: IP20/IP54(front part)							
Electrical class	Class I (PSU) Class II (PSD)								
Certifications	CB, EMC, CCC								



# LuxSpace PoE

Intelligent energy-saving luminaire enabled for connected lighting systems

### Power over ethernet system compatible

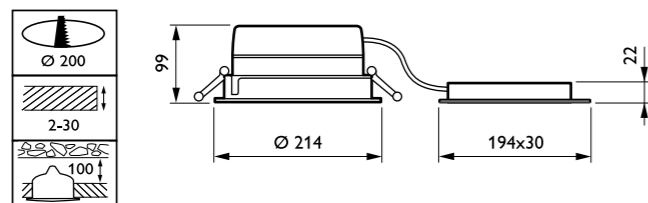
With Power-over-Ethernet (PoE) technology, LuxSpace PoE receives power and data over a single standard Ethernet cable, eliminating the need for separate power cabling. With the simple click of a connector, LuxSpace PoE luminaires become part of a complete, integrated connected lighting system, delivering extraordinary illumination experiences and value beyond illumination. A built-in lighting and control system gives office users personal control over their preferred light settings via a specially designed smartphone app. With integrated sensors, LuxSpace PoE luminaires can track activity patterns, daylight levels, and in the near future humidity, CO<sub>2</sub>, temperature, or other data. This data allows facility managers to gain deep insight into building operations, helping them optimize the delivery of resources, enhance the experience and performance of occupants, and support improved asset management.

### Features and Benefits

- LED lighting and control system with breakthrough Total Cost of Ownership, reducing installation costs by around 25% and commissioning costs by around 50%
- Software applications optimize working processes, comfort, and asset utilization and management
- Clear customer benefits in both the construction and usage phases of a building
- Data gathering on building usage via luminaire sensors
- Personal control of lighting and temperature settings
- Simpler and cheaper installation and lighting commissioning

### Product size

All dimensions in millimeters



50Khrs  
Up to 100 lm/W

Technical parameters	
Type	DN499X (MA) DN499X (SL)
System lumen output	2500lm
Actilume Sensor	DN499X (MA): Y DN499X (SL) : N
Beam Angle	65°
SDCM	3
CRI	80
CCT	4000K
UGR	19
Voltage	54VDC
LED driver	Remoted PoE driver
Power consumption	23W
Power factor	0.9
Materials and finishing	Housing: Die-cast aluminum, matt finishing; Glossy reflector: Stamping aluminum; White front ring, black back housing
Lifetime	50,000 hours (L70B50 @ 25°C)
Working Temperature Range	-20°C < Ta < 40°C
Cut-out	Ø200 (mm)
Dimensions (Dia x H)	Ø218 x 125 (mm)
IP rating	IP20
Electrical class	Class III
Certifications	CB, EMC, CCC



# LuxSpace Mini, recessed

High efficiency, visual comfort and a stylish design

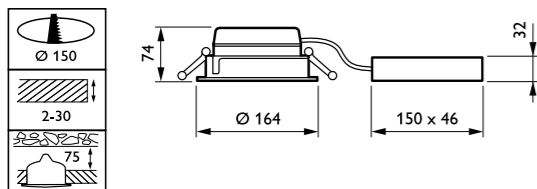
Customers are looking to optimize all their resources, and that means not just their running costs (energy, etc.) but also their human resources. Energy savings are therefore a priority, but they must not have an adverse effect on the well-being of employees, who need a pleasant environment in order to be more productive, or on customers, who want to enjoy their shopping experience. LuxSpace provides the perfect combination of efficiency, light comfort and design, without compromising on lighting performance (color rendering and color uniformity). It offers a wide choice of options for creating the desired ambience, no matter the application.

## Features and Benefits

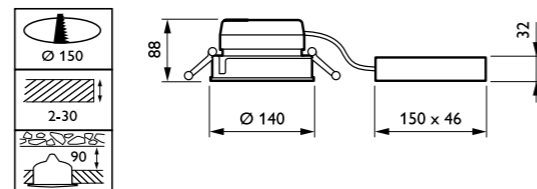
- Best-in-class efficacy
- Creates a gentle, natural light, ensuring visual comfort
- Perfect integration with the ceiling thanks to the thin, narrow rim; rimless version ideal for integration into plaster ceilings
- Choice of four optics: high-gloss, faceted, matt and white
- Heights: deep (up to UGR 19), low (up to UGR 22)
- Rim colors: high-gloss metalized, white (RAL9010), grey, black (RAL9004) as standard (any other RAL color possible upon request)
- Rimless version available
- Surface-mounted version available
- Compliant for central emergency lighting with DC
- Multiple additional options: PG and PGO (IP54 front face), emergency lighting (single battery 3 hours), suspended deco glasses, through-wiring

## Product size

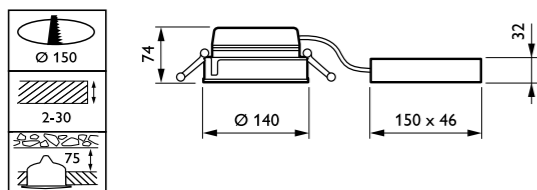
All dimensions in millimeters



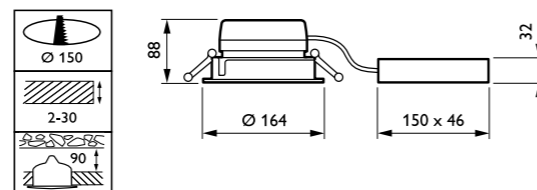
LuxSpace Mini, recessed



LuxSpace Mini, recessed



LuxSpace Mini, recessed



LuxSpace Mini, recessed



70Khrs

## Technical parameters

Type	DN560B (low height recessed version) DN561B (deep recessed version)
Ceiling type	Plaster (board) ceiling
Light source	Non replaceable LED module
Power	8 or 11.2 W (depending on configuration)
Luminous flux (for 830 and 840 versions)	780 to 1200 lm (depending on configuration)
Correlated Color Temperature	2700, 3000 or 4000 K
Color Rendering Index	> 80 90 (available in 3000 K)
Median useful life L70B50	70,000 hours
Median useful life L80B50	50,000 hours
Median useful life L90B50	25,000 hours
Average ambient temperature	25 °C
Operating temperature range	10 to 40 °C
Driver	Separate
Mains voltage	230 or 240 V / 50-60 Hz
Dimming	DALI dimming possible (PSED-E)
Options	Emergency lighting 3 hours (EL3) Protection glass (PG or PGO, IP54 front face) Through-wiring Rimless version for plaster ceiling Suspended glasses: opal (SG-O), frosted circle (SG-FRC) and frosted halo ring (SG-HR-FR) External or plug-in 3-pole Wieland/Adels connector
Material	Housing and rim: aluminum Reflector: plastic, aluminum coated (for high-gloss and faceted optics)
Color	Rim: white (RAL 9010), grey (similar to RAL 9006), black (RAL 9005) or high-gloss metalized
Optic	High-gloss mirror (C) Matt mirror (M) Faceted reflector (F) White reflector (WR)
Connection	Push-in connector or with pull relief
Installation	Fixation by means of spring fasteners
Remarks	External driver included



# LuxSpace, recessed

High efficiency, visual comfort and a stylish design

### HealWell system compatible

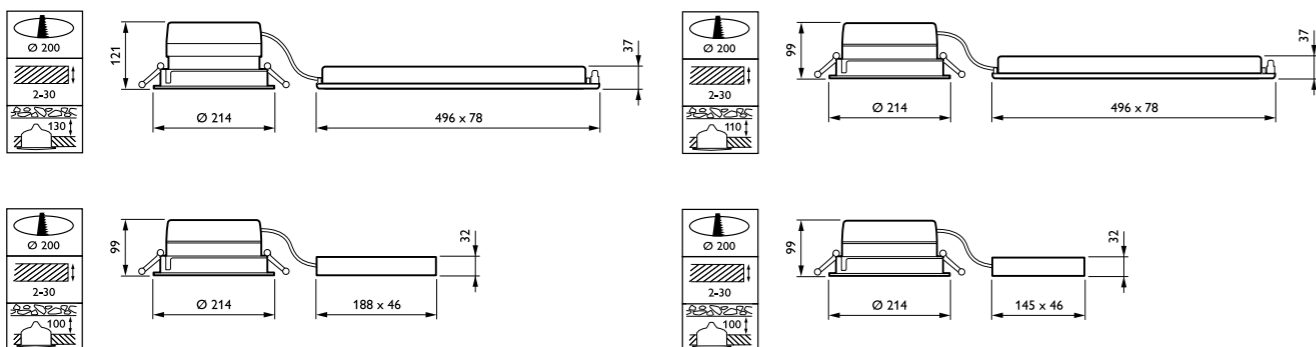
Customers are looking to optimize all their resources, and that means not just their running costs (energy, etc.) but also their human resources. Energy savings are therefore a priority, but they must not have an adverse effect on the well-being of employees, who need a pleasant environment in order to be more productive, or on customers, who want to enjoy their shopping experience. LuxSpace provides the perfect combination of efficiency, light comfort and design, without compromising on lighting performance (color rendering and color uniformity). It offers a wide choice of options for creating the desired ambience, no matter the application. For office applications LuxSpace supports the general feeling of health and wellbeing having dedicated Tunable White products.

### Features and Benefits

- Best-in-class efficacy
- Creates a gentle, natural light, ensuring visual comfort
- Perfect integration with the ceiling thanks to the thin, narrow rim; rimless version ideal for integration into plaster ceilings
- Choice of four optics: high-gloss, faceted, matt and white
- Heights: deep (up to UGR 19), low (up to UGR 22)
- Light color: 830, 840, 930 and 827
- Rim colors: high-gloss metalized, white (RAL9010), grey, black (RAL9005) as standard (any other RAL color possible upon request)
- Rimless version available (not for LED40S versions)
- Surface-mounted version available (not for LED40S versions)
- Compliant for central emergency lighting with DC
- Multiple additional options: PG and PGO (IP54 front face), emergency lighting (single battery 3 hours), suspended deco glasses, through-wiring
- LED boards of 2700 up to 6700 K offering many different color temperatures and light levels
- Predefined dynamic curves vary color temperature and intensity as a function of time

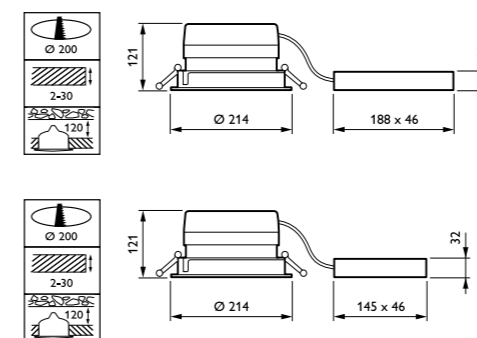
### Product size

All dimensions in millimeters



70Khrs

Technical parameters	
Type	DN570B (low height recessed version) DN571B (deep recessed version)
Ceiling type	Plaster (board) ceiling
Light source	Non replaceable LED module
Power	12.6, 21, 25.5, 36 W (3000K) 12.6, 19.8, 24, 36 W (4000K)
Light color	830, 840, 930 and 827
Luminous flux (for 830 and 840 versions)	DN570B, high-gloss mirror or faceted reflector: 1350, 2200, 2600, 4000 lm DN570B, matt reflector: 1150, 1850, 2200, 4000 lm DN570B, white reflector: 1300, 2100, 2500, 4000 lm DN571B, high-gloss mirror or faceted reflector: 1300, 2100, 2500, 4000 lm DN571B, matt reflector: 1000, 1650, 1950, 4000 lm DN571B, white reflector: 1250, 2000, 2400, 4000 lm
Color Rendering Index	> 80
Median useful life L70B50	70,000 hours
Median useful life L80B50	50,000 hours
Median useful life L90B50	25,000 hours
Average ambient temperature	25 °C
Operating temperature range	10 to 40 °C
Driver	Separate
Mains voltage	230 or 240 V / 50-60 Hz
Dimming	DALI dimming possible (PSED-E)
Options	Emergency lighting 3 hours (EL3) Protection glass (PG or PGO, IP54 front face) Through-wiring Rimless version for plaster ceiling (not for LED40S) Suspended glasses: opal (SG-O), frosted circle (SG-FRC) and frosted halo ring (SG-HR-FR) External or plug-in 3-pole Wieland/Adels connector
Material	Housing and rim: aluminum Reflector: plastic, aluminum coated (for high-gloss and faceted optics)
Color	Rim: white (RAL 9010), grey, black (RAL 9005) or high-gloss metalized
Optic	High-gloss mirror (C) Matt mirror (M) Faceted reflector (F) White reflector (WR)
Connection	Push-in connector or with pull relief
Installation	Fixation by means of spring fasteners
Remarks	External driver included





# LuxSpace square, recessed

High efficiency, visual comfort and a stylish design

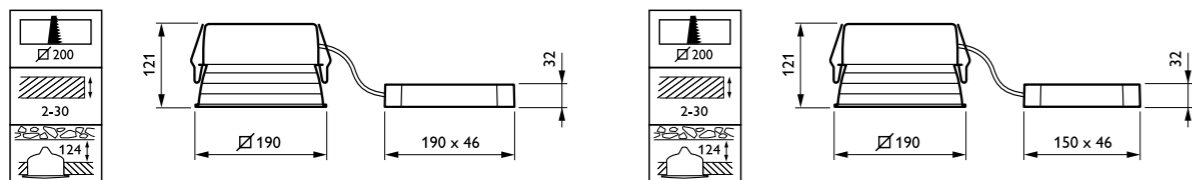
Customers are looking to optimize all their resources, and that means not just their running costs (energy, etc.) but also their human resources. Energy savings are therefore a priority, but they must not have an adverse effect on the well-being of employees, who need a pleasant environment in order to be more productive, or on customers, who want to enjoy their shopping experience. LuxSpace provides the perfect combination of efficiency, light comfort and design, without compromising on lighting performance (color rendering and color uniformity). It offers a wide choice of options for creating the desired ambience, no matter the application.

## Features and Benefits

- Best-in-class efficacy
- Creates a gentle, natural light, ensuring visual comfort
- Perfect integration with the ceiling thanks to the thin, narrow rim; rimless version ideal for integration into plaster ceilings
- Choice of four optics: high-gloss, faceted, matt and white
- Rim colors: high-gloss metalized, white (RAL9010), grey, black (RAL9004) as standard (any other RAL color possible upon request)
- Rimless version available
- Compliant for central emergency lighting with DC
- Multiple additional options: emergency lighting (single battery 3 hours), through-wiring

## Product size

All dimensions in millimeters



70Khrs

## Technical parameters

Type	DN572B (square, recessed version)
Ceiling type	Plaster (board) ceiling
Ceiling grid	200 x 200 mm
Light source	Non replaceable LED module
Power	11, 18 or 22 W
Light color	830, 840, 930 and 827
Color Rendering Index	> 80 90 (available in 3000 K)
Median useful life L70B50	70,000 hours
Median useful life L80B50	50,000 hours
Median useful life L90B50	25,000 hours
Average ambient temperature	25 °C
Operating temperature range	10 to 40 °C
Driver	Separate
Mains voltage	230 or 240 V / 50-60 Hz
Dimming	DALI dimming possible (PSED-E)
Options	Emergency lighting 3 hours (EL3) Through-wiring Rimless version for plaster ceiling External or plug-in 3-pole Wieland/Adels connector
Material	Housing and rim: aluminum Reflector: plastic, aluminum coated (for high-gloss and faceted optics)
Color	Rim: white (RAL 9010), grey (similar to RAL 9006), black (RAL 9005) or high-gloss metalized Other RAL colors available on request
Optic	High-gloss mirror (C) Matt mirror (M) Faceted reflector (F) White reflector (WR)
Connection	Push-in connector or with pull relief Multiple cords and plugs available
Installation	Fixation by means of spring fasteners
Remarks	External driver included Through-wiring possible