

PHILIPS



Accent light

Accent lighting on floors and walls is essential to the overall illumination in a break-out area and how warm and sociable the space feels. If you add additional floor lamps, you can create a truly distinctive atmosphere that feels quite different from the usual workspace and creates a more intimate environment.

<p>CoreLine Recessed Spot</p>  <p>124</p>	<p>FlexAccent Recessed</p>  <p>126</p>	<p>FlexAccent G2</p>  <p>128</p>	<p>GreenSpace Accent Elbow</p>  <p>132</p>
<p>GreenSpace Accent Adjustable</p>  <p>134</p>	<p>GreenSpace Accent Cardanic</p>  <p>136</p>	<p>GreenSpace Accent Gridlight</p>  <p>138</p>	<p>StoreFlux gen3 rim</p>  <p>140</p>
<p>StoreFlux gen3 rimless</p>  <p>142</p>	<p>Essential SmartBright LED Spot</p>  <p>144</p>	<p>LuxSpace Accent</p>  <p>146</p>	





CoreLine Recessed Spot

The clear choice for LED

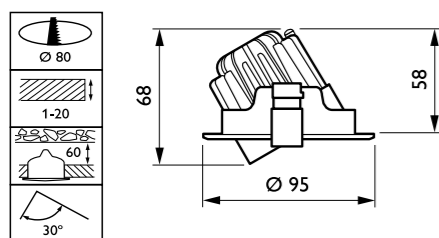
CoreLine Recessed Spot is a recessed spot range designed to replace halogen-based luminaires. Its halogen-like look and attractive price make it easier for customers to make the switch to LED. This product provides a natural lighting effect for accent lighting applications, as well as instant energy savings and much longer lifetime – an environmentally friendly solution. With the push-in connectors, installation is fast and straight-forward.

Features and Benefits

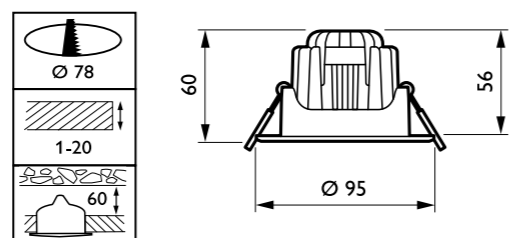
- High-end material and finish for decorative applications; dedicated optics for halogen reflector look and glare control
- 80% energy saving and 15 times longer lifetime compare to standard halogen-based luminaires
- Due to its slim design it fits in most types of ceiling; compatible with nearly all wallmounted dimmers
- Wide portfolio to cover multiple application spaces; from bathroom to diningroom
- Available in fixed and adjustable versions
- Different finishes available
- Choice of color temperatures: 2700, 3000, 4000 K and DimTone (dim 3000K to 2200K)
- Available in two light levels; 650 lumen (standard halogen) 1200 lumen (CDM-T 20W Standard)
- Available in two beam angles: 32D Medium Beam 60D Very Wide Beam
- Slim design; smaller than 60 mm
- Push-in connector with through-wiring option
- High Performance Dimming driver
- Chip-on-Board (COB) technology

Product size

All dimensions in millimeters



CoreLine RS140B/RS141B



CoreLine RS140B/RS141B



IP20/
IP54

up to
50Khrs

up to
60
lm/W

Technical parameters

Type	RS140B (fixed version) RS141B (adjustable version)
Ceiling type	Plaster (board) ceiling
Light source	Non replaceable LED module
Power	11 and 16 W
Beam angle	32 and 60°
Luminous flux	650 lm
Correlated Color Temperature	2700, 3000 or 4000 K DimTone
Color Rendering Index	85
Median useful life L70B50	50,000 hours
Median useful life L80B50	30,000 hours
Median useful life L90B50	15,000 hours
Driver failure rate	1.5% per 5000 hours
Average ambient temperature	25 °C
Driver	Separate
Mains voltage	230 or 240 V / 50-60 Hz
Dimming	Compatible with commercial available phase-cut, leading and trailing edge dimmers
Material	Housing: aluminum
Color	White Brushed aluminum
Optical cover	Polycarbonate, clear
Connection	Push-in connector or with pull relief
Installation	Fixation by means of spring fasteners Through-wiring possible
Remarks	Internal optical unit 30° tiltable



FlexAccent Recessed

Supporting a general feeling of health and well-being

FlexAccent is the new LED solution for shop targeting energy saving. The system efficacy is 75lm/W in average, indicating more than 30% energy efficient compared to CDM solution.

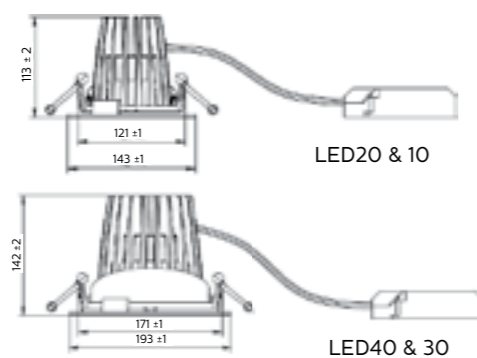
The compact design of FlexAccent is another unique selling proposition, thanks to the excellent thermal design eliminating the cooling fan.

Features and Benefits

- Diversity: plenty of choices on form factor, lumen output and optics
- Energy saving: >30% energy efficient compared to CDM solution
- Competitive price: 1 on 1 replacement over conventional CDM light
- System efficacy up to 85 lm/W
- CRI 80, CRI 90 optional for 3000K (CrispWhite Tech)
- High reliability, 30k hours (L70@25°C)

Product size

All dimensions in millimeters



FlexAccent Recessed – RS291B



IP20
up to 30Khrs
up to 85 lm/W

Technical parameters

Type	FlexAccent RS291B (Recessed)
System lumen output	1000lm, 2000lm, 3000lm, 3900lm
Voltage	220-240V 50/60Hz
Power consumption	13W / 28-29W / 38-42W / 47-50W
Efficacy	70lm/W ~ 85lm/W
Power factor	0.9
LED driver	Fixed output
SDCM	<=5
CRI	80 (90 optional for 3000K)
Color temperature	3000K / 4000K / CW – CrispWhite (CRI90) for 3000K only
Form factor (Recessed)	RS291B (refer to the picture)
Materials and finishing	Optics: MCPET high reflectance film, PMMA diffuser with high haze and light transmission
Lifetime	30,000 hours (70% lumen maintenance @ Ta = 25°C)
Working Temperature Range	- 20°C < Ta < 40°C
Cut-out (Recessed)	125mm (1000lm; 2000lm) / 175mm (3000lm; 3900lm)
Weight	RS291B LED10&LED20: 0.85KG RS291B LED30&LED40: 1.52KG
IP rating	IP20
Certifications	CB, CCC



FlexAccent G2

High performance in a robust and compact design

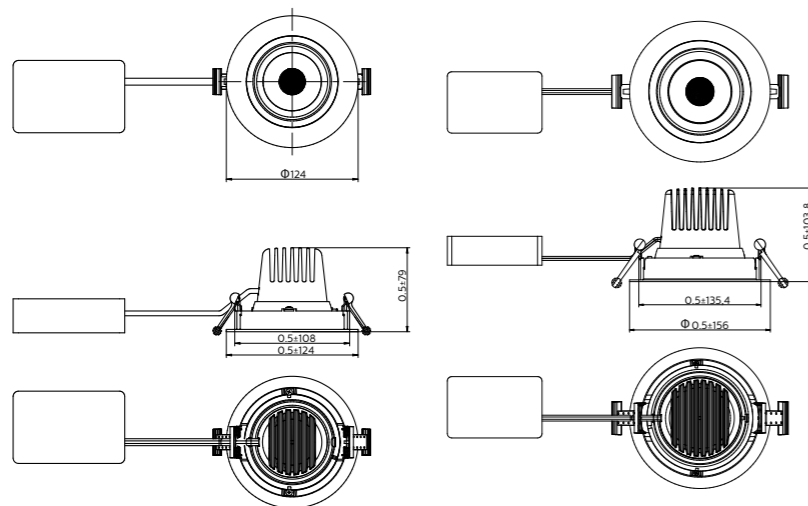
FlexAccentG2 is a functional LED accent lighting product delivers substantial energy saving and with PremiumWhiteCoBLED technology offers an optimized color spectrum that enhances look of your items. It creates a very "true" lighting effect –the real CDM-Elite replacement. It offers diverse configurations from recessed, modular and track mounted, with 1000lm to 4000lm output head. It could apply to shopping mall, retail store, fashion shop, hotel etc.

Features and Benefits

- Quality of light, influence customer's shopping experience positively
- Compact and stylish design to ease installation
- Diversity: different lumen package, CCT, and type of mounting to cater for different customers' needs
- High CRI option, CRI80 or 90
- "True" light (3000K) -PremiumWhite
- SDCM <4
- High reliability, 30k hours (L70B50@25°C)

Product size

All dimensions in millimeters



RS391B LED10&LED20

RS391B LED30&LED35

up to 30Khrs

up to 100 lm/W



Technical parameters

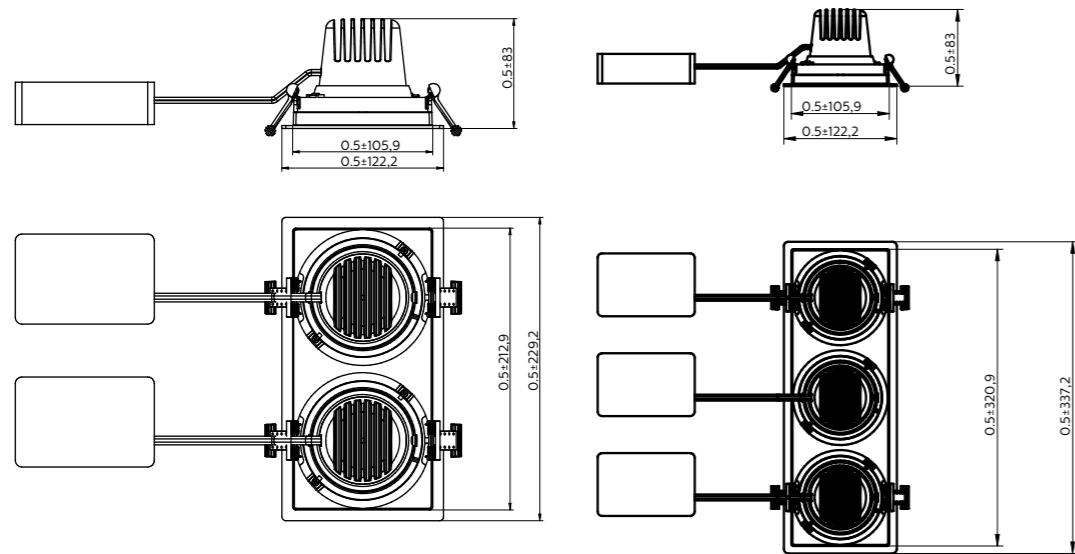
Model	RS391B Recessed				
	LED10	LED20	LED30	LED35	
Lumen output (CRI 80)	3000k	1000 lm	1900 lm	3100 lm	3500 lm
	4000K	1100 lm	2100 lm	3400 lm	3900 lm
Lumen output (CRI 90)	3000k	900 lm	1700 lm	2700 lm	3100 lm
	4000K	980 lm	1800 lm	3000 lm	3300 lm
Beam Angle	NB	17°	17°	18°	18°
	MB	20°	20°	22°	22°
	WB	34°	34°	34°	34°
SDCM	<4				
CRI	80 / 90				
CCT	3000K(PremiumWhite)/ 4000K				
Voltage	220-240V 50/60Hz				
Rotation angle	Tilt 30°(2 sides); Pan 360°				
Power consumption	12 W	26 W	39 W	48 W	
LEDdriver	Fixed output (remote SELV driver with 0.3m length cable), THD<30%				
Materials and finishing	Metal housing with powder coating, matt finishing white RAL9010 (also available in white color of RAL9003 via ETO)				
Lifetime	30,000 hours (70% lumen maintenance @ 25°C)				
Working Temperature Range	-15°C< Ta < 35°C				
Cut-out	Ø117mm	Ø117mm	Ø149mm	Ø149mm	
Dimensions(Diax H)	Ø124x79 (mm)	Ø124x79 (mm)	Ø156x104 (mm)	Ø156x104 (mm)	
IP rating,Class	IP20, Class II				
Certifications	CB, EMC, CE,SAA,CCC				

FlexAccent G2

up to 30Khrs
up to 100 lm/W



Technical parameters								
Model	GD391B Modular							
	1xLED10	1xLED20	2xLED10	2xLED20	3xLED10	3xLED20		
Lumen output (CRI 80)	3000k	1000 lm	1900 lm	2000 lm	3700 lm	3000 lm	5600 lm	
	4000K	1100 lm	2100 lm	2200 lm	4200 lm	3400 lm	6300 lm	
Lumen output (CRI 90)	3000k	900 lm	1700 lm	1800 lm	3300 lm	2700 lm	5000 lm	
	4000K	980 lm	1800 lm	1900 lm	3600 lm	2900 lm	5400 lm	
Beam Angle	NB	17°		17°		17°		
	MB	20°		20°		20°		
	WB	34°		34°		34°		
SDCM	<4							
CRI	80 / 90							
CCT	3000K(PremiumWhite)/ 4000K							
Voltage	220-240V 50/60Hz							
Rotation angle	Tilt 30°(2 sides); Pan 360°							
Power consumption	12 W	26 W	2X12 W	2X26 W	3X12 W	3X26 W		
LED driver	Fixed output (remote SELV driver with 0.3m length cable), THD<30%							
Materials and finishing	Metal housing with powder coating, matt finishing white RAL9010 (also available in white color of RAL9003 via ETO)							
Lifetime	30,000 hours (70% lumen maintenance @ 25°C)							
Working Temperature Range	-15°C< Ta < 35°C							
Cut-out	L: 112mm W: 116mm	L: 219mm W:116mm		L: 326mm W:116mm				
Dimensions (L x W x H)	122.2x122.2x83 (mm)	229.2x122.2x83 (mm)		337.2x122.2x83 (mm)				
IP rating, Class	IP20, Class II							
Certifications	CB, EMC, CE,SAA,CCC							



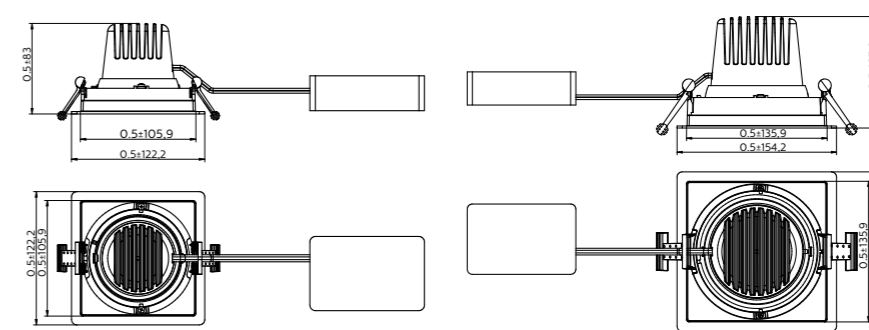
GD391B 2XLED10&2XLED20

GD391B 3XLED10&3XLED20

up to 30Khrs
up to 100 lm/W



Technical parameters			
Model	GD391B Modular		
	1xLED30	1xLED35	
Lumen output (CRI 80)	3000k	3100 lm	3500 lm
	4000K	3400 lm	3900 lm
Lumen output (CRI 90)	3000k	2700 lm	3100 lm
	4000K	3000 lm	3300 lm
Beam Angle	NB	18°	18°
	MB	22°	22°
	WB	34°	34°
SDCM	<4		
CRI	80 / 90		
CCT	3000K(PremiumWhite)/ 4000K		
Voltage	220-240V 50/60Hz		
Rotation angle	Tilt 30°(2 sides); Pan 360°		
Power consumption	39 W	48W	
LED driver	Fixed output (remote SELV driver with 0.3m length cable), THD<30%		
Materials and finishing	Metal housing with powder coating, matt finishing white RAL9010 (also available in white color of RAL9003 via ETO)		
Lifetime	30,000 hours (70% lumen maintenance @ 25°C)		
Working Temperature Range	-15°C< Ta < 35°C		
Cut-out	L:142mm X W: 147mm		
Dimensions (L x W x H)	154.2x154.2x108 (mm)	154.2x154.2x108 (mm)	
IP rating, Class	IP20, Class II		
Certifications	CB, EMC, CE, SAA, CCC		



GD391B 1XLED10&1XLED20

GD391B 1XLED30&1XLED35



GreenSpace Accent Elbow

A flexible and affordable retail toolbox

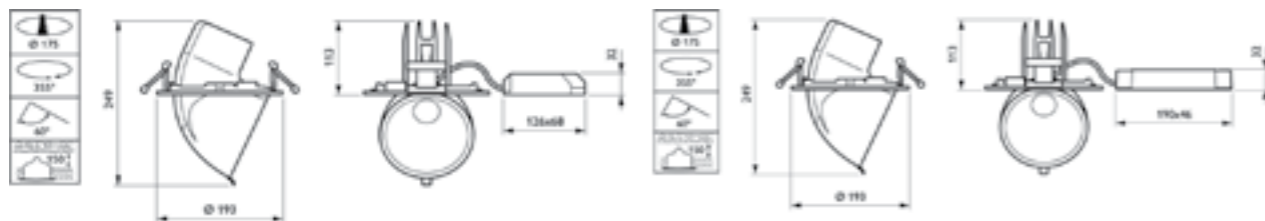
Thanks to the GreenSpace Accent family, retailers and building operators can make the switch from CDM to LED and enjoy Philips PerfectAccent light quality as well as significant energy savings – all for a reasonable initial investment. GreenSpace Accent Elbow's regular cut-out makes retrofit installation quick and easy by a single installer. For food retailers, GreenSpace Accent Elbow comes with special light recipes to enhance the store ambiance and show the product in the very best light: Fresh Food Champagne is the perfect solution for displaying fruit, vegetables, cheese, bread and pastries in a warm lighting ambiance, while Fresh Food Meat creates the best light setting for meat enhancement in a cool natural ambiance. Fashion retailers can also choose from a variety of light flavors: CrispWhite is the clear choice to make colors appear rich and intense while keeping whites bright, and PremiumWhite is the best CDM alternative for high color rendering in a warm lighting ambiance.

Features and Benefits

- Hassle-free replacement of CDM recessed luminaires
- Short payback compared with CDM luminaires due to high system efficacy
- High-quality accent lighting thanks to PerfectAccent reflector's light signature
- High efficacy
- Philips PerfectAccent quality of light
- CDM retrofit recessed luminaire; easy to install
- Clean, robust design

Product size

All dimensions in millimeters



GreenSpace Accent RS340B-BRS343B

GreenSpace Accent RS340B-BRS343B



up to
70Khrs

up to
72
lm/W

Technical parameters	
Type	RS342B
Ceiling type	Plaster (board) ceiling
Light source	Non-replaceable LED module
Power	18, 29 and 38.5 W (for light color 830, LED17S, LED27S, LED39S) 30 and 46.5 W (for light color Fresh Food Meat, LED19S and LED26S) 44 W (for light color Fresh Food Champagne, LED27S) 21, 33 and 50 W (for CrispWhite LED17S, LED27S, LED39S) 19.4, 28.5 and 48.5 W (for PremiumWhite LED17S, LED27S, LED39S)
Beam angle	12° (NB), 25° (MB), 37° (WB)
Luminous flux	1700, 2700, 3900 lm (for light color 830) 1900 or 2600 lm (for light color Fresh Food Meat, LED19S or LED26S) 2600 lm (for light color Fresh Food Champagne, LED27S) 1700, 2700, 3600 lm (for light color CrispWhite)
Correlated Color Temperature	2700, 3000 and 4000 K (827, 830, 840) Fresh Food Meat (FMT) Fresh Food Champagne (CH) CrispWhite (CRW) PremiumWhite (PW9)
Color Rendering Index	>80 (for 2700, 3000 and 4000 K) >90 (for Fresh Food Champagne, Fresh Food Meat and PremiumWhite) >92 (for CrispWhite)
Standard deviation color matching (SDCM)	3 (with a tolerance of ± 0,005 on color point measurement)
Median useful life L70B50	70,000 hours
Median useful life L80B50	50,000 hours
Median useful life L90B50	25,000 hours
Average ambient temperature	25 °C
Driver	Separate
Mains voltage	220-240 V / 50-60 Hz
Dimming	DALI dimming and Constant Light Output
Material	Housing and rim: die-cast aluminum Cover: acrylic
Color	White (RAL9003), silver (RAL9006) and black (RAL9004)
Connection	Push-in connector or with pull relief Wieland/Adels compatible connector with cable length 0.5 m (CW) Push-in connector with loop through wiring enabled for non DALI versions (CU3) Push-in connector with loop through wiring enabled for DALI versions (CU5)
Installation	Fixation by means of spring fasteners
Remarks	Fresh Food Champagne (CH) is the dedicated light recipe for bread and pastries, fruits and vegetables area. It brings a warm traditional ambiance. Fresh Food Meat (FMT) is a dedicated light recipe for meat counters. It brings a natural cool light setting. CrispWhite (CRW) is the dedicated light recipe for fashion retailers which makes whites appear pure and bright while at the same time making other colours appear warm, saturated and intense PremiumWhite is the best CDM Elite alternative for high color rendering with a warm color of light for fashion and food retailers.



GreenSpace Accent Adjustable

A flexible and affordable retail toolbox

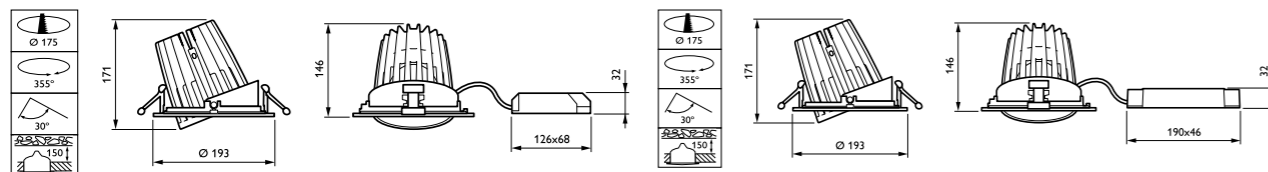
Lighting is one of the key assets that can help retailers and building operators achieve their cost targets. Until now, many have been reluctant to switch from CDM to LED technology because the efficiency, initial investment, installation process, light level and/or quality of light of new LED solutions were not on par with their CDM existing solutions. This is no longer the case, thanks to GreenSpace Accent. Now, retailers and building operators can make the switch and enjoy the benefits of Philips PerfectAccent light quality as well as significant energy savings compared to their existing CDM installation – all for a reasonable initial investment. And GreenSpace Accent's regular cut-out makes retrofit installation quick and easy.

Features and Benefits

- Hassle-free replacement of CDM recessed luminaires
- Short payback compared with CDM luminaires due to high system efficacy
- High-quality accent lighting thanks to PerfectAccent reflector's light signature
- High efficacy
- Philips PerfectAccent quality of light
- CDM retrofit recessed luminaire
- Clean, robust design

Product size

All dimensions in millimeters



GreenSpace Accent RS340-BRS343B

GreenSpace Accent RS340-BRS343B



up to
70Khrs

up to
102
lm/W

Technical parameters

Type	RS341B
Ceiling type	Plaster (board) ceiling
Light source	Non-replaceable LED module
Power	18, 29.5 and 37 W (for light color 830 and 840, LED17S, LED27S, LED35S)
Beam angle	24° (MB), 36° (WB)
Luminous flux	1750, 2700, 3500 lm (for light color 830) 1850, 2900, 3800 lm (for light color 840)
Correlated Color Temperature	3000 and 4000 K
Color Rendering Index	>80 (for 3000 and 4000 K)
Standard deviation color matching (SDCM)	3 (with a tolerance of $\pm 0,005$ on color point measurement)
Median useful life L70B50	70,000 hours
Median useful life L80B50	50,000 hours
Median useful life L90B50	25,000 hours
Average ambient temperature	25 °C
Driver	Separate
Mains voltage	220-240 V / 50-60 Hz
Dimming	DALI dimming on request
Material	Housing and rim: die-cast aluminum Cover: acrylic
Color	White (RAL9003), silver (RAL9006) and black (RAL9004)
Connection	Push-in connector or with pull relief
Installation	Fixation by means of spring fasteners



GreenSpace Accent Cardanic

A flexible and affordable retail toolbox

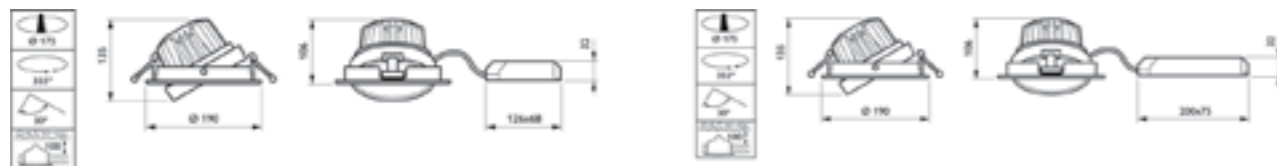
With the GreenSpace Accent family, retailers and building operators can now make the switch from CDM to LED and enjoy the benefits of Philips PerfectAccent light quality as well as significant energy savings – all for a reasonable initial investment. GreenSpace Accent Cardanic's regular cut-out and specific lumen packages make retrofit installation quick and easy. For fashion and food retailers, GreenSpace Accent Cardanic is available with special light flavors and LED recipes to show the clothes and fresh food produce on offer in the very best light.

Features and Benefits

- High lumen output from very compact, low-height luminaire
- Cardanic suspension (two separately tilting rings)
- Wide application coverage
- Excellent quality of light enabled by Philips PerfectAccent optics
- High energy efficiency
- Clean and robust design
- One-to-one CDM replacement

Product size

All dimensions in millimeters



up to
70Khrs

up to
102
lm/W

Technical parameters

Type	RS343B
Ceiling type	Exposed- and symmetrical concealed T-bar ceiling and plaster (board) ceiling
Light source	Non-replaceable LED module
Power	1700 lm - 15 W, 2700 lm - 27 W, 3900 lm - 34.5W at 3000 K 1900 lm - 26 W; 2600 lm - 39 W at FMT
Beam angle	NB (10°), MB (24°), WB (36°)
Luminous flux	1750, 2800, 4000 lm at 3000 K 1900, 2600 lm at FMT 2700 lm at CH
Correlated Color Temperature	2500 K (for Fresh Food Champagne CH) 2700 K 3000 K (for 830, PremiumWhite PW9, CrispWhite CRW, Fresh Food Meat FMT) 4000 K
Color Rendering Index	80 for /827 /830 /840 /FMT /CH 90 for /PW9 >95 for /CRW
Median useful life L70B50	70,000 hours
Median useful life L80B50	50,000 hours
Median useful life L90B50	25,000 hours
Average ambient temperature	25 °C
Driver	Separate
Mains voltage	230 or 240 V / 50 - 60 Hz
Dimming	Non-dimmable (PSU-E) DALI-dimmable (PSD-E)
Material	Housing: die-cast aluminum
Color	White (WH, RAL9003), Black (BK, RAL 9004), Silver (SI, RAL9006)
Optic	Metallised polycarbonate
Optical cover	PMMA, clear
Connection	Push-in connector with pull relief (PIP), 3-pole Wieland/Adels plug (CW3), 3-pole Wieland/Adels plug with lock (CW-L)
Installation	Fixation by means of spring fasteners Through-wiring possible
Accessories	None



GreenSpace Accent Gridlight

A flexible and affordable retail toolbox

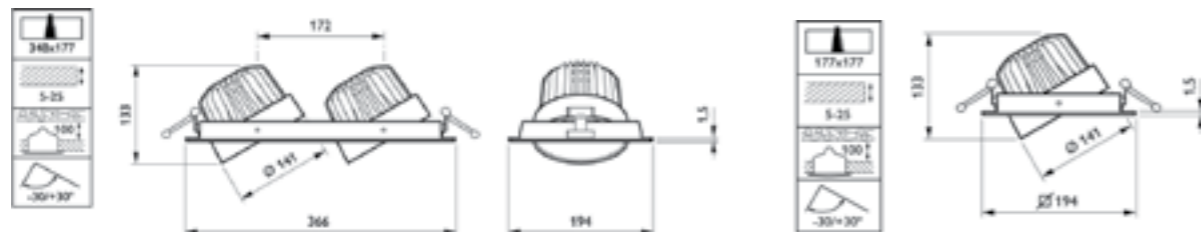
Thanks to the GreenSpace Accent family, retailers and building operators can now make the switch from CDM to LED and enjoy the benefits of Philips PerfectAccent light quality as well as significant energy savings – all for a reasonable initial investment. GreenSpace Accent Gridlight's regular cut-out and two clips make retrofit installation quick and easy by a single installer. For fashion retailers, GreenSpace Accent Gridlight is also available with special light flavors to show the clothes and goods on offer in the very best light. CrispWhite is the clear choice for fashion retailers to make colors appear rich and intense while keeping whites bright. PremiumWhite is the best CDM Elite alternative for high color rendering with a warm light ambiance.

Features and Benefits

- Hassle-free replacement of CDM recessed luminaires
- Short payback compared with CDM luminaires due to high system efficacy
- High-quality accent lighting thanks to PerfectAccent reflector's light signature
- CDM retrofit luminaire
- Clean and robust design
- High efficacy
- Philips PerfectAccent light quality

Product size

All dimensions in millimeters



GD302B

GD301B



up to
70Khrs

up to
110
lm/W

Technical parameters

Type	GD302B (double-recessed gridlight version) GD301B (single-recessed gridlight version)
Ceiling type	Plaster (board) ceiling
Light source	Non-replaceable LED module
Power	15, 25.5 and 32 W for light colors 830/840, GD302B LED17S/LED27S/ LED35S 15, 25.5 and 32 W for light colors 830/840, GD301B LED17S/LED27S/ LED39S
Beam angle	10° (NB), 24° (MB), 36° (WB)
Luminous flux	Per head in the double gridlight: 1700 lm (light color 830, PW9 and CRW) 1800 lm (light color 840) 1600 lm (light color 827) 2700 lm (light color 830, PW9 and CRW) 2900 lm (light color 840) 2500 lm (light color 827) 3500 lm (light color 830 and PW9) 3700 lm (light color 840) 3300 lm (light color 827) For single gridlight: 1700, 2700 and 3900 lm (light color 830)
Correlated Color Temperature	3000, 4000, 2700 K, PremiumWhite and CrispWhite
Color Rendering Index	> 80 (for 3000, 4000 and 2700 K) > 90 (for PremiumWhite and Crisp- White)
Median useful life L70B50	70,000 hours
Median useful life L80B50	50,000 hours
Median useful life L90B50	25,000 hours
Average ambient temperature	25 °C
Driver	Separate
Mains voltage	220-240 V / 50-60 Hz
Dimming	DALI dimming available
Material	Housing: die-cast aluminum Rim: steel plate, bended Ring: polyamide Cover: PMMA
Color	White (WH, RAL9003), black (BK, RAL 9004) and silver (SI, RAL9006)
Optical cover	Polycarbonate
Connection	Push-in connector (PI) Wieland/Adels compatible (CW) Wieland/Adels with locking security (CW-L)
Installation	Fixation by means of 2-spring fasteners
Through-wiring possible	Through wiring available by default for all options for double gridlight
Accessories	No accessories
Remarks	DC compatibility available by default for all options for double gridlight



StoreFlux gen3 rim

Powerful LED accent lighting that blends perfectly in the store architecture

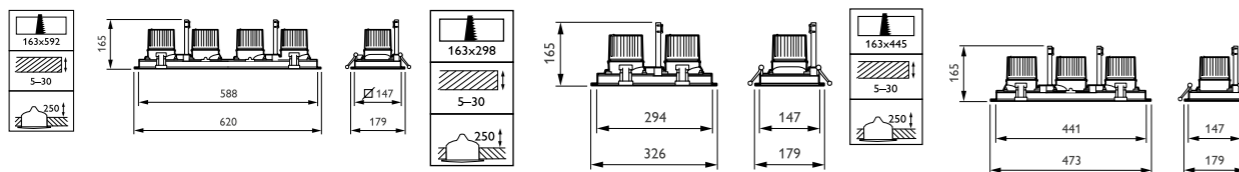
The StoreFlux gridlight can be equipped with up to four LED modules with a special reflector system to deliver top-quality light that makes your shop and merchandise look great. The combination of multiple LED sources with high lumen packages in one luminaire creates sparkling light effects. StoreFlux offers low maintenance compared with CDM and high efficiency compared to halogen.

Features and Benefits

- High-quality accent lighting thanks to PerfectAccent reflector's light signature
- Short payback compared with CDM luminaires due to high system efficacy
- Efficient and low-maintenance thanks to LED technology
- Multiple accent light sources in one luminaire (1, 2, 3 or 4 LED modules)
- High lumen packages: up to 3900 lm per module (up to 3 head version)
- Rim version; rimless variant available; different RAL color combinations possible
- Ease of installation and maintenance (separate installation frame; replaceable LED light engines and reflectors)

Product size

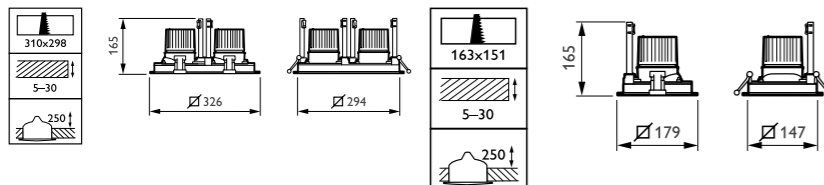
All dimensions in millimeters



StoreFlux gen3 GD601-GD615B

StoreFlux gen3 GD601-GD615B

StoreFlux gen3 GD601-GD615B



StoreFlux gen3 GD601-GD615B

StoreFlux gen3 GD601-GD615B



up to 70Khrs

up to 100 lm/W

Technical parameters

Type	GD601B (rim, 1 head version) GD602B (rim, 2 head version) GD603B (rim, 3 head version) GD604B (rim, 4 head in a row version) GD605B (rim, 4 head in a square version)
Light source	Non-replaceable LED module
Power (per head)	LED11S: 16.5 W LED12S: 12.5 W LED20S: 20 W LED17S: 16 W LED27S: 25 W LED39S: 39 W
Beam angle	LED12S/17S/27S/39S: 29 and 35° LED11S/20S: 10°
Luminous flux (at 3000 K)	LED11S: 1100 lm LED12S: 1200 lm LED20S: 2000 lm LED17S: 1700 lm LED27S: 2700 lm LED39S: 3900 lm
Correlated Color Temperature	2700, 3000 or 4000 K and CrispWhite
Color Rendering Index	80 90 (light color 930) >95 (CRW)
Median useful life L70B50	70,000 hours
Median useful life L80B50	50,000 hours
Median useful life L90B50	25,000 hours
Driver failure rate	1% per 5000 hours
Average ambient temperature	25 °C
Driver	Separate
Mains voltage	230 or 240 V / 50-60 Hz
Dimming	DALI
Material	Housing: aluminum, steel Front glass: acrylic
Color	White (WH-WH) Housing, heads and rim can have different color combinations (WHWH, BK-BK, GR-BK, WH-BK)
Optical cover	Acrylic
Connection	Push-in connector; 3-pole push-in with loop-through (CU3); 5-pole push-in with loop-through (CU5)
Cable options	0.5 m cable with 3-pole Wieland / Adels plug (CW); 0.5 m cable with 3-pole Wieland / Adels plug & lock (CW-L); 1 m cable with external BST14 DALI connector (C1KBST2)
Maintenance	Replaceable light engines and driver
Installation	Fixation by means of spring fasteners
Remarks:	Optical unit tiltable over 30° 360° rotation of the optical unit



StoreFlux gen3 rimless

Powerful LED accent lighting that blends perfectly in the store architecture

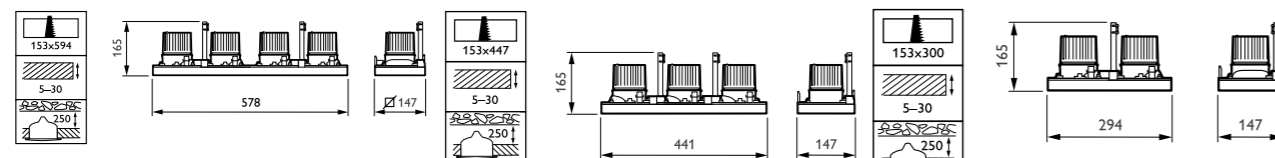
The StoreFlux gridlight can be equipped with up to four LED modules with a special reflector system to deliver top-quality light that makes your shop and merchandise look great. The combination of multiple LED sources with high lumen packages in one luminaire creates sparkling light effects. StoreFlux offers low maintenance compared with CDM and high efficiency compared to halogen.

Features and Benefits

- High-quality accent lighting thanks to PerfectAccent reflector's light signature
- Short payback compared with CDM luminaires due to high system efficacy
- Efficient and low-maintenance thanks to LED technology
- Multiple accent light sources in one luminaire (1, 2, 3 or 4 LED modules)
- High lumen packages: up to 3900 lm per module (up to 3 head version)
- Rim version; rimless variant available; different RAL color combinations possible
- Ease of installation and maintenance (separate installation frame; replaceable LED light engines and reflectors)

Product size

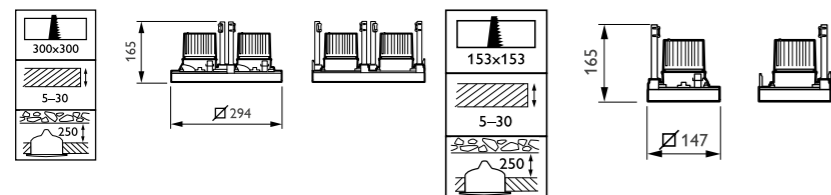
All dimensions in millimeters



StoreFlux gen3 GD601-GD615B

StoreFlux gen3 GD601-GD615B

StoreFlux gen3 GD601-GD615B



StoreFlux gen3 GD601-GD615B

StoreFlux gen3 GD601-GD615B

up to
70Khrs

up to
100
lm/W

Technical parameters

Type	GD611B (rimless, 1 head version) GD612B (rimless, 2 head version) GD613B (rimless, 3 head version) GD614B (rimless, 4 head in a row version) GD615B (rimless, 4 head in a square version)
Light source	Non-replaceable LED module
Power (per head)	LED11S: 16.5 W LED12S: 12.5 W LED20S: 20 W LED17S: 16 W LED27S: 25 W LED39S: 39 W
Beam angle	LED12S/17S/27S/39S: 29 and 35° LED11S/20S: 10°
Luminous flux (at 3000 K)	LED11S: 1100 lm LED12S: 1200 lm LED20S: 2000 lm LED17S: 1700 lm LED27S: 2700 lm LED39S: 3900 lm
Correlated Color Temperature	2700, 3000 or 4000 K and CrispWhite
Color Rendering Index	80 90 (light color 930) >95 (CRW)
Median useful life L70B50	70,000 hours
Median useful life L80B50	50,000 hours
Median useful life L90B50	25,000 hours
Driver failure rate	1% per 5000 hours
Average ambient temperature	25 °C
Driver	Separate
Mains voltage	230 or 240 V / 50-60 Hz
Dimming	DALI
Material	Housing: aluminum, steel Front glass: acrylic
Color	White (WH-WH) Housing, heads and rim can have different color combinations (WHWH, BK-BK, GR-BK, WH-BK)
Optical cover	Acrylic
Connection	Push-in connector; 3-pole push-in with loop-through (CU3); 5-pole push-in with loop-through (CU5)
Cable options	0.5 m cable with 3-pole Wieland / Adels plug (CW); 0.5 m cable with 3-pole Wieland / Adels plug & lock (CW-L); 1 m cable with external BST14 DALI connector (C1KBST2)
Maintenance	Replaceable light engines and driver
Installation	Directly into the ceiling after installing installation frame
Accessories	Installation frames (ZD51*B CFRM-RML) to be ordered separately
Remarks:	Optical unit tiltable over 30° 360° rotation of the optical unit



Essential SmartBright LED Spot

High performance in a robust and compact design

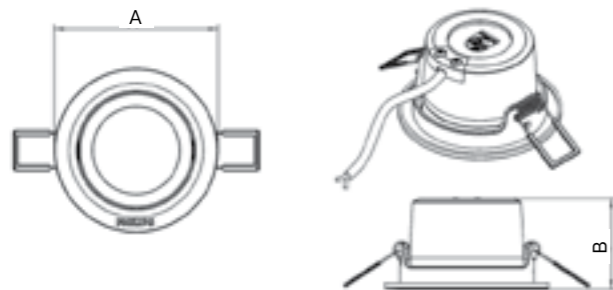
Philips Essential SmartBright LED Spot is a versatile spot light engineered to deliver significant energy savings of up to 70%. In addition, its all in one, slim design with integrated driver makes installation a breeze. Thus, its an ideal solution for diverse spot lighting applications. Essential SmartBright LED Spot is also designed to meet international standards and certifications, offering you reliable and long-lasting performance. Philips Essential SmartBright LED Spot not only ensures savings on initial capital, but also delivers reliable operational savings.

Features and Benefits

- System efficacy, Energy saving up to 70% vs conventional
- Reliable performance, Lifetime 15,000hours (L70B50@25°C)
- Excellent light quality, CRI>=80
- Slim design, makes installation way easier

Product size

All dimensions in millimeters



Type	A	B	Cut-out
RS022B LED2	73	37	65
RS022B LED5	79	43	68
RS022B LED8	89	49	78



IP20
up to 15Khrs
up to 66 lm/W

Technical parameters

Model	RS022B
Lifetime	15k hrs (L70B50@25°C)
System Lumen Output	Typical. 200lm, 480lm, 780lm
Efficacy	66lm/W
CRI	80
CCT	3000K, 4000K
System Wattage	3W, 6W, 10W
Input Voltage	220-240 V / 50-60 Hz
IP	IP20
IK	IK02
Operation temperature	-20°C ~ +40°C
Mounting	Recessed
Dimension(mm)	Cut-out: 65/68/78 Size: Ø73xH37; Ø79xH43; Ø89xH49



LuxSpace Accent

The best energy-efficient range for retail applications

HealWell system compatible

Retailers are increasingly having to contend with rising energy prices. At the same time, they need to retain the quality of light they are used to, flexibility in architectural integration, and the right light effects to catch the customer's eye. Last but not least, they need futureproof solutions that will enable them to implement differentiating concepts in their store. Delivering high-quality light, punch in the beam and outstanding luminous efficacy, LuxSpace Accent is the ideal energy-efficient solution for today's demanding retail environments, covering a wide variety of lighting applications, including CrispWhite and PremiumWhite for fashion stores and Food recipes for supermarkets.

Features and Benefits

- Attract shoppers with high-quality light
- Luminaire design blends discreetly into the store
- Good energy performance, matching CDM Elite while offering much longer lifetime and payback of the Total Cost of Ownership within three years
- Efficacy of up to 110 lm/W, thanks to very Hi-LOR reflectors (90%)
- Lumen packages from 1200 to 4900 lm to match equivalent CDM 20/35/50/70 W MASTERColour Elite
- Choice of color temperatures: 2700, 3000 and 4000K
- Color rendering index 80, 90 and 95
- Narrow, medium, wide, very wide and oval beams available
- Passive cooling in all versions of the range
- Dimmable versions
- Through-wiring options

Technical parameters	
Type	RS730B (mini, fixed version) RS731B (mini, adjustable version) RS740B (compact, fixed version) RS741B (compact, adjustable version) RS750B (performance, fixed version) RS751B (performance, adjustable version) RS752B (performance, elbow version)
Light source	Non-replaceable LED module
Power	<ul style="list-style-type: none"> • Mini versions NB (LED11S): 15 to 18 W (depending on light color) MB, WB (LED12S): 12 to 16 W (depending on light color) • Compact versions NB (LED20S): 27 W MB, WB (LED17S): 16 to 20 W (depending on light color) MB, WB (LED27S): 25 to 32 W (depending on light color) MB, WB (LED39S): 39 W • Performance versions NB (LED40S): 55 W MB, WB, LIN (LED27S) (only in RS752B - elbow archetype): 24 to 31 W MB, WB, VWB, LIN (LED39S): 35 to 46 W (depending on light color) MB, WB, VWB, LIN (LED49S): 47 to 56 W (depending on light color)

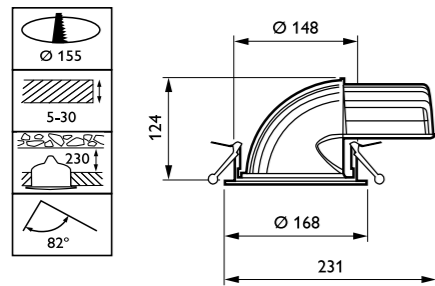
up to
70Khrs

Technical parameters

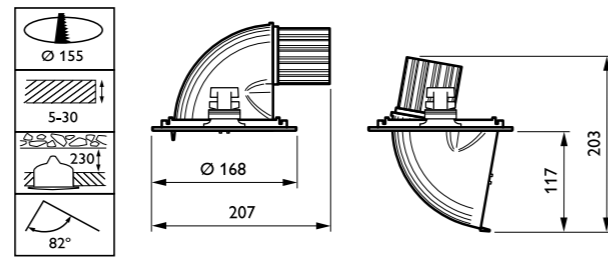
Beam angle	<ul style="list-style-type: none"> • Mini and compact versions NB (10°) MB (28°, ± 2 degrees depending on lumen package) WB (36°, ± 2 degrees depending on lumen package) LIN (oval lens) • Performance versions NB (15°) MB (21°, ± 2 degrees depending on lumen package) WB (30°, ± 2 degrees depending on lumen package) VWB (53°, ± 2 degrees depending on lumen package) WB LIN (WB + oval lens) : 29 x 51° VWB LIN (VWB + oval lens) : 46 x 60°
Luminous flux	<ul style="list-style-type: none"> • Mini versions NB (LED11S): 1000 lm MB, WB (LED12S): 1200 lm • Compact versions NB (LED20S): 1600 to 2100 lm (depending on light color) MB, WB (LED17S): 1600 to 1800 lm (depending on light color) MB, WB (LED27S): 2500 to 2900 lm (depending on light color) MB, WB (LED39S): 3200 to 4200 lm • Performance versions NB (LED40S), 20,000 to 30,000 cd in the axis (depending on light color); 3000 to 3900 lm (depending on light color) MB, WB, LIN (LED27S) (only in RS752B - elbow archetype): 2500 to 2900 lm (depending on light color) MB, WB, VWB, LIN (LED39S): 3500 to 4000 lm (depending on light color) MB, WB, VWB, LIN (LED49S): 4300 to 4900 lm (depending on light color)
Light source color	827, 830, 840, 930
Correlated Color Temperature	2700, 3000 or 4000 K
Color Rendering Index	80, 90
Standard deviation color matching	3 (with a tolerance of ± 0,005 on color point measurement)
Median useful life L70B50	70,000 hours
Median useful life L80B50	50,000 hours
Median useful life L90B50	25,000 hours
Operating temperature range	10 to 40 °C
Driver failure rate	1% for 5000 hours
Average ambient temperature	25 °C
Driver	Built-in External
Mains voltage	230 or 240 V / 50-60 Hz
Dimming	Fix (PSE-E when DC compatible, PSU when NOT DC compatible) DALI (PSED-E when DC compatible, PSU when NOT DC compatible)
Material	Rings: metal Heatsink: die-cast aluminum Front cover: acrylic or glass Optic: plastic
Color	Black (BK, RAL9004) White (WH, RAL9003) Silver (SI, RAL 9006 metalized grey) Mini and Compact fixed versions only: aluminum brushed (ALU) Compact adjustable versions only: aluminum brushed - black or aluminum brushed - white (ALU-BK or ALU-WH, outer rim: brushed aluminum; inner front housing: black or white) Other RAL colors available on request
Optical cover	<ul style="list-style-type: none"> • Mini and compact versions Curved glass (for narrow beam) PMMA (for other beams) • Performance versions Clear with jaws (medium beam) Clear with diffusor foil (for other beams)
Connection	Push-in connector or with pull relief (PI) Wieland/Adels compatible connector with cable length 0.5m (CW)
Installation	Fixation by means of spring fasteners

Product size

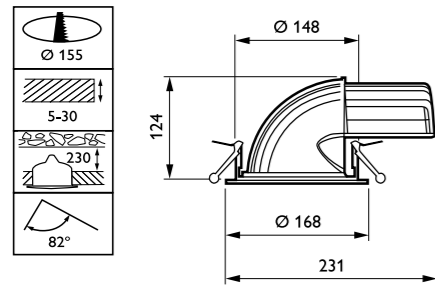
All dimensions in millimeters



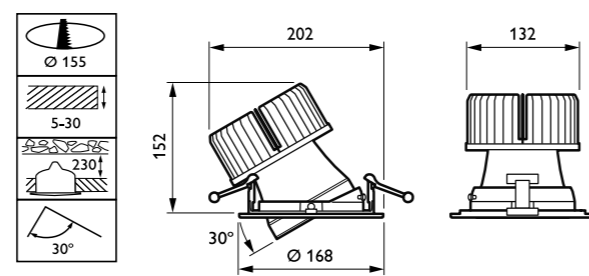
LuxSpace Accent



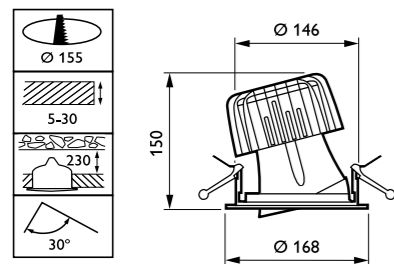
LuxSpace Accent



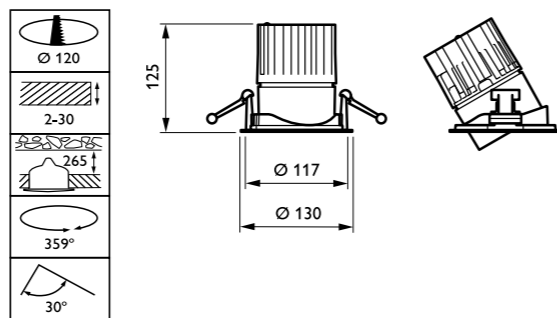
LuxSpace Accent



LuxSpace Accent



LuxSpace Accent

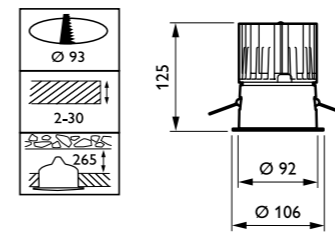


LuxSpace Accent

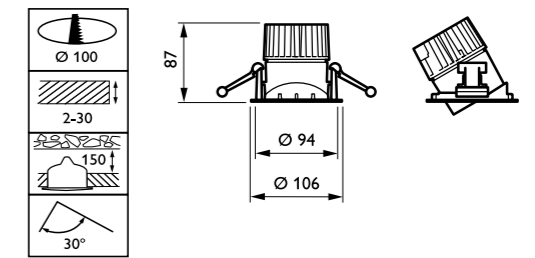


Product size

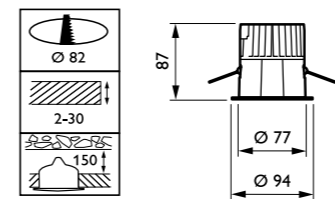
All dimensions in millimeters



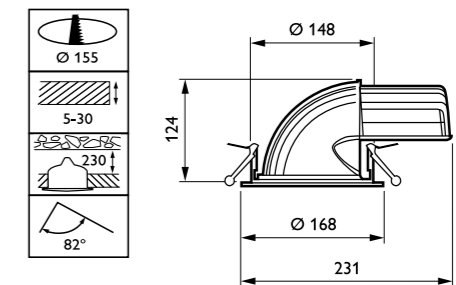
LuxSpace Accent



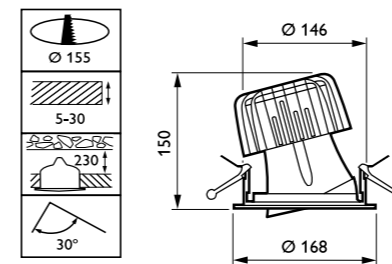
LuxSpace Accent



LuxSpace Accent



LuxSpace Accent



LuxSpace Accent