

PHILIPS



Vaya

Vaya products provide economical options for interior and exterior LED luminaires – designed for cost-conscious buyers who are looking for quality and reliability at the right price. Offering white, mono color, and RGB color lighting options, Vaya luminaires are appropriate for cove, flood, wall washing, and other applications that require, cost-effective, reliable LED lighting.

Special Vaya Tube, RGB (Ethernet & DMX) 544	Special Vaya Tube, White & Mono (Ethernet & DMX) 546	Special Vaya Flood LP G2, RGB 548	Special Vaya Flood LP G2, White & Mono 550
Special Vaya Flood MP G2, RGB 552	Special Vaya Flood MP G2, White & Mono 554	Special Vaya Flood HP, RGB 556	Special Vaya Flood HP, White & Mono 558
Special Vaya Linear LP, RGB 560	Special Vaya Linear LP, White 562	Special Vaya Linear MP, RGB 564	Special Vaya Linear MP, White 566
Vaya Cove, RGB 568	Vaya Cove LP, White & Mono 570		





Special Vaya Tube, RGB (Ethernet & DMX)

Reliable and cost effective direct view linear LED lighting fixture

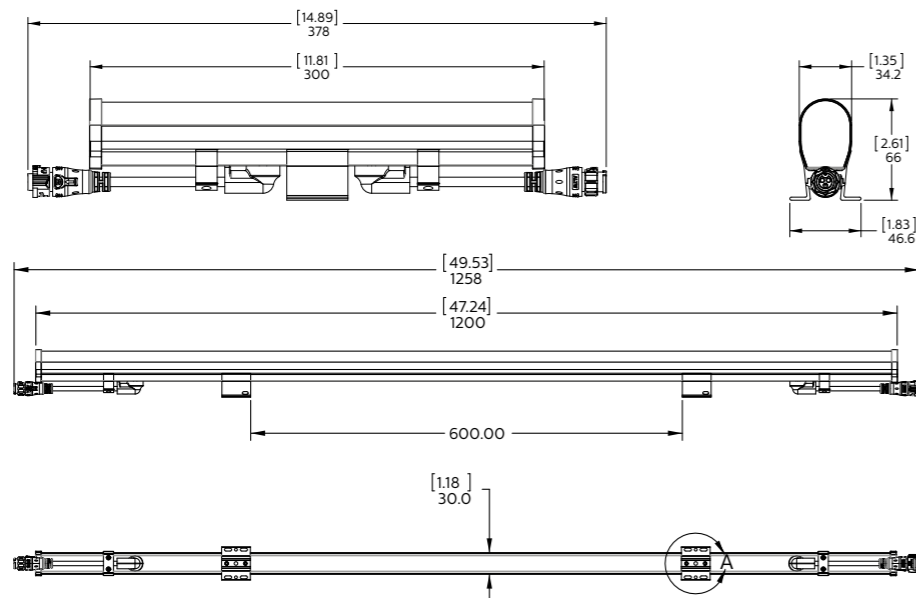
Features and Benefits

Special Vaya Tube is a reliable and cost effective direct view linear LED lighting fixture designed for dynamic lighting effects. Vaya Tube is ideal for exterior accent and contour lighting applications, as well as low-resolution graphics with a resolution of up to 150mm (6in) per pixel. Up to 24m (80ft) of fixtures can be connected per Control Module. Ethernet and DMX-512 control options make the product easy to use with Philips Color Kinetics or third-party DMX controllers.

- Uniform band of light in 180° viewing angle
- Slim profile & light weight
- 150mm / 6inch pixel resolution: 8pixels/1.2m (4ft)
- Up to 20 fixtures (1.2m/4ft) in two runs
- KiNet & DMX-512 control
- 3-Year Warranty*

Product size

All dimensions in millimeters



IP66

50Khrs

Technical parameters

Product	Special Vaya Tube, RGB (Ethernet & DMX)
Width	47 mm (1.8in), including mounting bracket
Height	66 mm (2.4in), including mounting bracket
Length	300 mm (1 ft) 1200 mm (4 ft)
Mounting	Front-serviceable surface mount brackets
Source	RGB, 3-in-1 SMD
Viewing Angle	180°
RGB Flux & Intensity	300mm (1 ft) : 70 lm / 16cd 1200 mm (4 ft) : 300 lm / 68cd
Lumen Maintenance	50,000 hrs L50 at 25°C
Lens	Translucent Cover Lens
Housing	UV-stabilized polycarbonate, dark grey finish (RAL7043)
Weight	300mm (1 ft) : <0.5 kg (1 lbs) 1200 mm (4 ft) : <1.0kg (2 lbs)
Connection	Combined power & data input and output connectors
Control	Ethernet & DMX-512 control
Input Voltage	24V DC
Power Consumption	300mm (1 ft) : 3.5 W 1200 mm (4 ft) : 14 W
Run-Length per Controller	300mm (1 ft) : 2x 35 fixtures 1200 mm (4 ft) : 2x 10 fixtures
Temperature Range	-20°C to 40°C (-4°F ~104°F) start-up temperature -40°C to 50°C (-40°F ~122°F) operating temperature*
Protection Rating	IP66, Wet location listed, IK10
Certifications	UL / cUL, FCC Class A, CE, CB, CQC, SAA, C-Tick
Warranty	3 Years*

* Based on max 3,000 hours usage at 50C per year



Special Vaya Tube, White & Mono (Ethernet & DMX)

Reliable and cost effective direct view linear LED lighting fixture

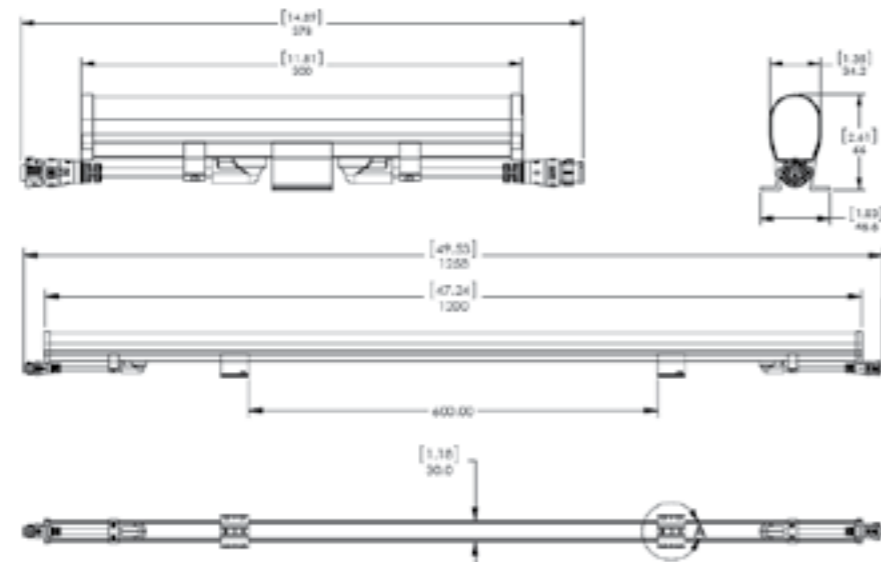
Special Vaya Tube is a reliable and cost effective direct view linear LED lighting fixture designed for dynamic lighting effects. Vaya Tube is ideal for exterior accent and contour lighting applications, as well as low-resolution graphics with a resolution of up to 150mm (6in) per pixel. Up to 24m (80ft) of fixtures can be connected per Control Module. Ethernet and DMX-512 control options make the product easy to use with Philips Color Kinetics or third-party DMX controllers.

Features and Benefits

- Uniform band of light in 180° viewing angle
- Slim profile & light weight
- 150mm / 6inch pixel resolution: 8pixels/1.2m (4ft)
- Up to 20 fixtures (1.2m/4ft) in two runs
- KiNet & DMX-512 control
- 3-Year Warranty*

Product size

All dimensions in millimeters



IP66

50Khrs

Technical parameters

Product	Special Vaya Tube, White & Mono (Ethernet & DMX)
Width	47 mm (1.8in), including mounting bracket
Height	66 mm (2.4in), including mounting bracket
Length	300 mm (1 ft) 1200 mm (4 ft)
Mounting	Front-serviceable surface mount brackets
Source	White or Mono Color (Red / Green / Blue / Amber)
Viewing Angle	180°
2700K Flux & Intensity	300mm (1 ft) : 178 lm / 40 cd 1200 mm (4 ft) : 750 lm / 170 cd
5000K Flux & Intensity	300mm (1 ft) : 215 lm / 48 cd 1200 mm (4 ft) : 900 lm / 200 cd
Resolution	Configurable, up to 150 mm (6in) per individually controllable pixel
Lumen Maintenance	50,000 hrs L50 at 25°C
Lens	Translucent Cover Lens
Housing	UV-stabilized polycarbonate, dark grey finish (RAL7043)
Weight	300mm (1 ft) : <0.5 kg (1lbs) 1200 mm (4 ft) : <1.0kg (2 lbs)
Connection	Combined power & data input and output connectors
Control	Ethernet & DMX-512 control
Input Voltage	24V DC
Power Consumption	300mm (1 ft) : 3 W (White) 1200 mm (4 ft) : 12 W (White)
Run-Length per Controller	300mm (1 ft) : 2x 40 fixtures / per port 1200 mm (4 ft) : 2x 10 fixtures / per port
Temperature Range	-20°C to 40°C (-4°F ~104°F) start-up temperature -40°C to 50°C (-40°F ~122°F) operating temperature*
Protection Rating	IP66, Wet location listed, IK10
Certifications	UL / cUL, FCC Class A, CE, CB, CQC, SAA, C-Tick
Warranty	3 Years*

* Based on max 3,000 hours usage at 50C per year



Special Vaya Flood LP G2, RGB

Reliable and cost effective color-changing light fixture

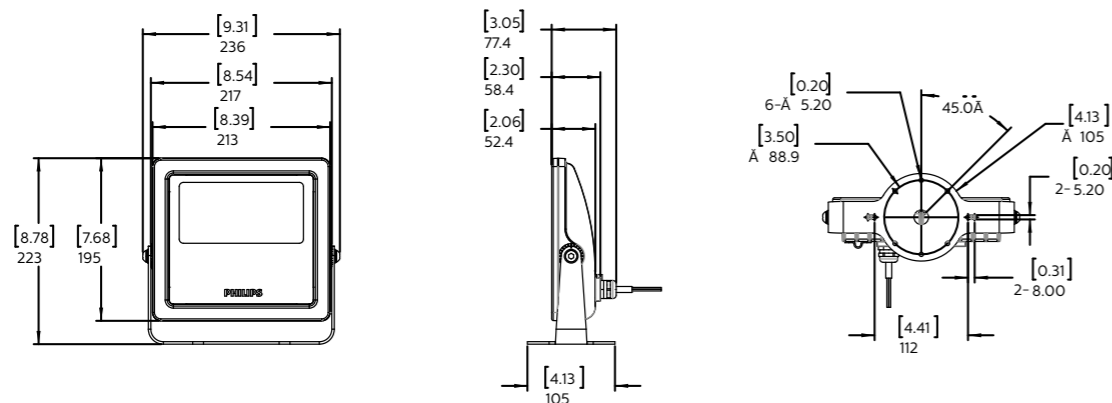
Special Vaya Flood LP (gen2) is a reliable and cost effective color-changing light fixture for both interior and exterior use. Designed for creating fixed or dynamic colorful lighting effects, Vaya Flood LP RGB is ideal for flood, wash and accent lighting applications. Integrated power and DMX-512 control make this product easy to use with Philips or third-party DMX controllers.

Features and Benefits

- Die-cast aluminium housing & tempered glass
- IP66 rating for outdoor use
- Available with standard 20° or 40° beams
- Auto-ranging 100V-240V AC, 50 / 60Hz input
- DMX-512 control
- 3-Year Warranty*

Product size

All dimensions in millimeters



IP66

50Khrs

Technical parameters

Product	Special Vaya Flood LP G2, RGB
Height	223 mm (8.78in), including surface mount base
Width	236 mm (9.31in)
Depth	77.4 mm (3.05in), excluding mounting base
Mounting	Integrated tilting surface-mount base
Source	High-brightness Red, Green and Blue LEDs
Standard Beam Angles	20° or 40°
Luminous Flux	1,380 lumens all colors on full
Lumen Maintenance	50,000 hrs L50 at 25°C
Housing	Die Cast Aluminum, powder-coated finish RAL7043
Weight	3.0 kg (6.6 lbs)
Connector	3-conductor whip for power, 1.5m (5ft) long 2-pair twisted whip for data, 1.5m (5ft) long
Lens	Tempered glass
Control	DMX-512 control, 3 addresses per fixture
Input Voltage	100V-240V AC, 50 / 60Hz
Power Consumption	45W
Temperature Range	-20°C to 40°C (-4°F ~104°F) start-up temperature -40°C to 50°C (-40°F ~122°F) operating temperature*
Protection Rating	IP66, Wet location listed, IK09
Certifications	UL / cUL, FCC Class A, CE, CB, CQC, PSE
Warranty	3 Years*

* Based on max 3,000 hours usage at 50C per year



Special Vaya Flood LP G2, White & Mono

Reliable and cost effective white light fixture

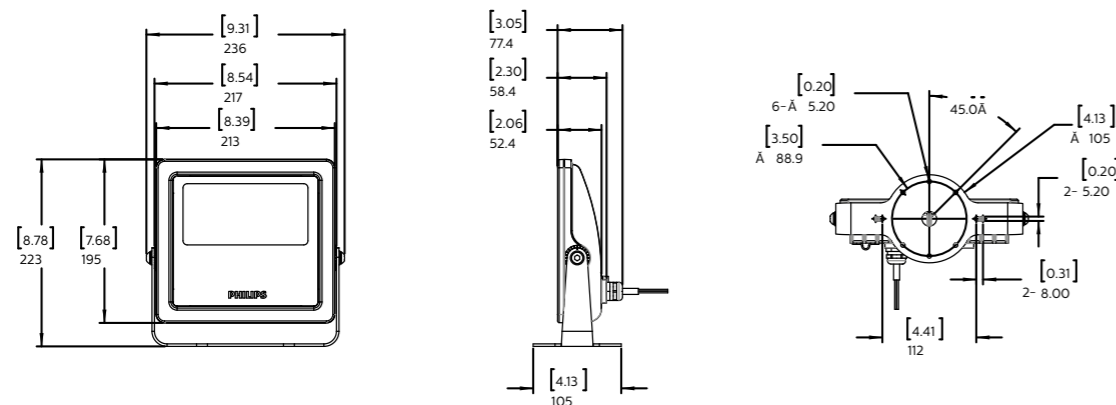
Special Vaya Flood LP (gen2) is a reliable and cost effective white light fixture for both interior and exterior use. Vaya Flood LP White & Mono is designed for general purpose flood, wash and accent lighting applications. Integrated power and adjustable tilt angle make this product versatile and easy to use.

Features and Benefits

- Up to 10lx at 60m / 1fc at 196ft
- Compact die-cast aluminium housing
- Robust design & IP66 rating for outdoor use
- Available in standard 3000K & 4000K
- Available with standard 20° or 40° beams
- Auto-ranging 100V-240V AC, 50 / 60Hz input
- 3-Year Warranty*

Product size

All dimensions in millimeters



IP66

50Khrs

Technical parameters

Product	Special Vaya Flood LP G2, White & Mono
Height	223 mm (8.78in), including surface mount base
Width	236 mm (9.31in)
Depth	77.4 mm (3.05in), excluding mounting base
Mounting	Integrated tilting surface-mount base
Source	High-brightness White or Mono LEDs
Standard Beam Angles	20° or 40°
Luminous Flux	3,380 lumens
Efficacy	79lm/W
CRI	80 Ra
Lumen Maintenance	50,000 hrs L70 at 25°C
Housing	Die Cast Aluminum, powder-coated finish RAL7043
Weight	3.0 kg (6.6 lbs)
Connector	3-conductor whip for power, 1.5m (5ft) long
Lens	Tempered glass
Standard Control	On / Off
Input Voltage	100-240V AC, 50 / 60Hz
Power Consumption	44W 47W
Temperature Range	-20°C to 40°C (-4°F ~104°F) start-up temperature -40°C to 50°C (-40°F ~122°F) operating temperature*
Protection Rating	IP66, Wet location listed, IK09
Certifications	CE, CB, CQC, PSE
Warranty	3 Years*

* Based on max 3,000 hours usage at 50C per year



Special Vaya Flood MP G2, RGB

Reliable and cost effective color-changing light fixture

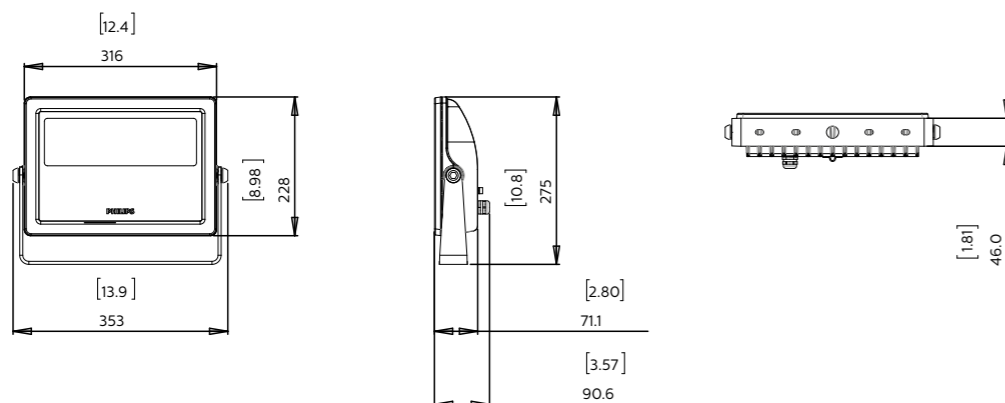
Features and Benefits

Special Vaya Flood MP (gen2) is a reliable and cost effective color-changing light fixture for both interior and exterior use. Designed for creating fixed or dynamic colorful lighting effects, Vaya Flood MP RGB is ideal for flood, wash and accent lighting applications. Integrated power and DMX-512 control make this product easy to use with Philips or third-party DMX controllers.

- Die-cast aluminium housing & tempered glass
- IP66 rating for outdoor use
- Available with standard 20° or 40° beams
- Auto-ranging 100V – 240V AC, 50 / 60Hz input
- DMX-512 control
- 3-Year Warranty*

Product size

All dimensions in millimeters



IP66

50Khrs

Technical parameters

Product	Special Vaya Flood MP G2, RGB
Height	275 mm (10.8in), including surface mount base
Width	353 mm (13.9in)
Depth	90.6 mm (3.57in), excluding mounting base
Mounting	Integrated tilting surface-mount base
Source	High-brightness Red, Green and Blue LEDs
Standard Beam Angles	20° or 40°
Luminous Flux	2,480 lumens all colors on full
Lumen Maintenance	50,000 hrs L50 at 25°C
Housing	Die Cast Aluminum, powder-coated finish RAL7043
Weight	5.75 kg (12.7 lbs)
Connector	3-conductor whip for power, 1.5m (5ft) long 2-pair twisted whip for data, 1.5m (5ft) long
Lens	Tempered glass
Control	DMX-512 control, 3 addresses per fixture
Input Voltage	100V–240V AC, 50 / 60Hz
Power Consumption	72W
Temperature Range	-20°C to 40°C (-4°F ~104°F) start-up temperature -40°C to 50°C (-40°F ~122°F) operating temperature*
Protection Rating	IP66, Wet location listed, IK09
Certifications	UL / cUL, FCC Class A, CE, CB, CQC, PSE
Warranty	3 Years*

* Based on max 3,000 hours usage at 50C per year



Special Vaya Flood MP G2, White & Mono

Reliable and cost effective white light fixture

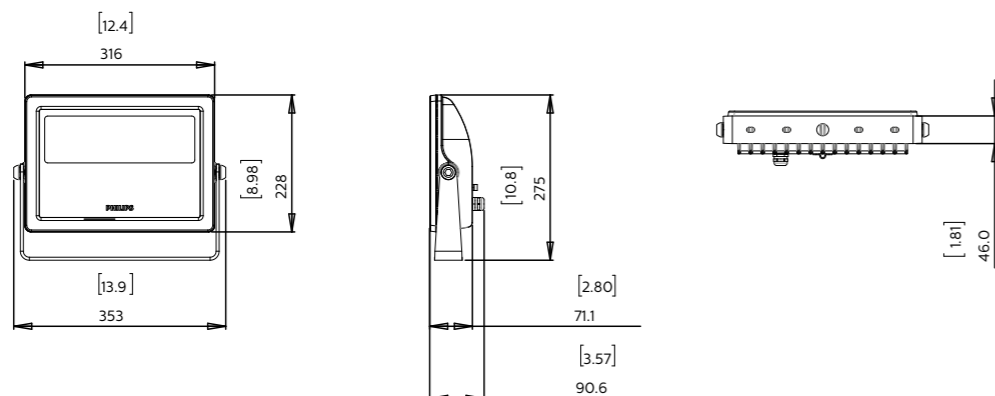
Special Vaya Flood MP (gen2) is a reliable and cost effective white light fixture for both interior and exterior use. Vaya Flood MP White & Mono is designed for general purpose flood, wash and accent lighting applications. Integrated power and adjustable tilt angle make this product versatile and easy to use.

Features and Benefits

- Up to 10lx at 80m / 1fc at 262ft
- Compact die-cast aluminium housing
- Robust design & IP66 rating for outdoor use
- Available in standard 3000K & 4000K
- Available with standard 20° or 40° beams
- Auto-ranging 220V to 240V AC, 50 / 60Hz input
- 3-Year Warranty*

Product size

All dimensions in millimeters



IP66

50Khrs

Technical parameters

Product	Special Vaya Flood MP G2, White & Mono
Height	275 mm (10.8in), including surface mount base
Width	353 mm (13.9in)
Depth	90.6 mm (3.57in), excluding mounting base
Mounting	Integrated tilting surface-mount base
Source	High-brightness White or Mono LEDs
Standard Beam Angles	20° or 40°
Luminous Flux	5,656 lumens
Efficacy	83lm/W
CRI	80 Ra
Lumen Maintenance	50,000 hrs L70 at 25°C
Housing	Die Cast Aluminum, powder-coated finish RAL7043
Weight	5.75 kg (12.7 lbs)
Connector	3-conductor whip for power, 1.5m (5ft) long
Lens	Tempered glass
Standard Control	On / Off
Input Voltage	220V-240V AC, 50 / 60Hz
Power Consumption	68W
Temperature Range	-20°C to 40°C (-4°F ~104°F) start-up temperature -40°C to 50°C (-40°F ~122°F) operating temperature*
Protection Rating	IP66, Wet location listed, IK09
Certifications	CE, CB, CQC
Warranty	3 Years*

* Based on max 3,000 hours usage at 50C per year



Special Vaya Flood HP, RGB

Reliable and cost effective high output color-changing light fixture

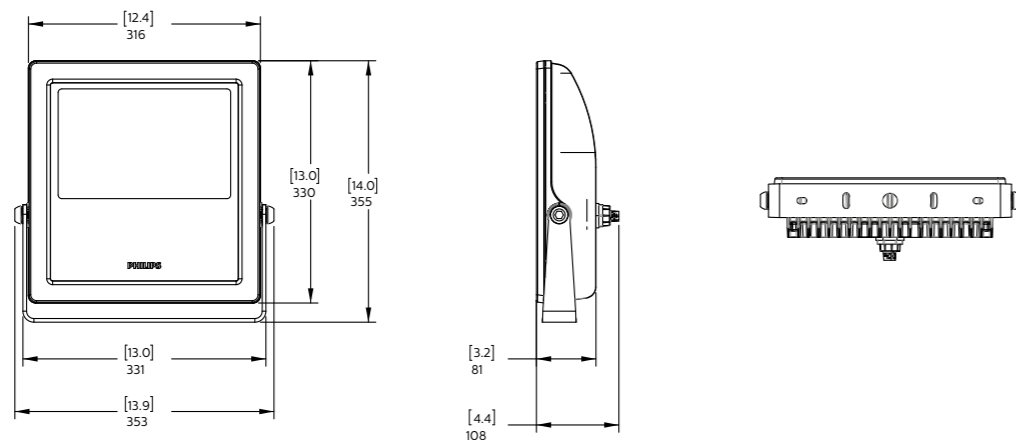
Special Vaya Flood HP is a reliable and cost effective high output color-changing light fixture, designed for spot lighting, wall washing, and flood lighting applications. The light levels achieved by this compact & light weight fixture make it ideal for illuminating large-scale exterior facades, bridges, and monuments. Integrated power and DMX-512 control make this product easy to use with Philips or third-party DMX controllers.

Features and Benefits

- 10lx at 100m / 1fc at 328ft
- Compact size & light-weight
- Robust design & IP66 rating for outdoor use
- Available in standard 10° & 20°
- Auto-ranging 100-277V AC
- 3-Year Warranty*

Product size

All dimensions in millimeters



IP66

50Khrs

Technical parameters

Product	Vaya Flood HP, RGB
Height	353 mm (13.9in), including surface mount base
Width	353 mm (13.9in)
Depth	108 mm (4.25in)
Mounting	Integrated tilting surface-mount base
Source	High-brightness Red, Green and Blue LEDs
Standard Beam Angles	10° or 20°
Output Luminous Flux	3,500 lumens all colors on full
Lumen Maintenance	50,000 hrs L50 at 25°C
Housing	Die Cast Aluminum, powder-coated finish RAL7043
Weight	7.5 kg (16.5 lbs)
Connector	3-conductor whip for power, 1.5m (5ft) long 2-pair twisted whip for data, 1.5m (5ft) long
Lens	Tempered glass
Control	DMX-512 control, 3 addresses per fixture
Input Voltage	100V – 277 VAC, 50 / 60Hz
Power Consumption	105W
Temperature Range	-20°C to 40°C (-4°F ~104°F) start-up temperature -40°C to 50°C (-40°F ~122°F) operating temperature*
Protection Rating	IP66, Wet location listed, IK06
Certifications	UL / cUL, FCC Class A, CE, CB, CQC, PSE
Warranty	3 Years*

* Based on max 3,000 hours usage at 50C per year



Special Vaya Flood HP, White & Mono

Reliable and cost effective high output white light

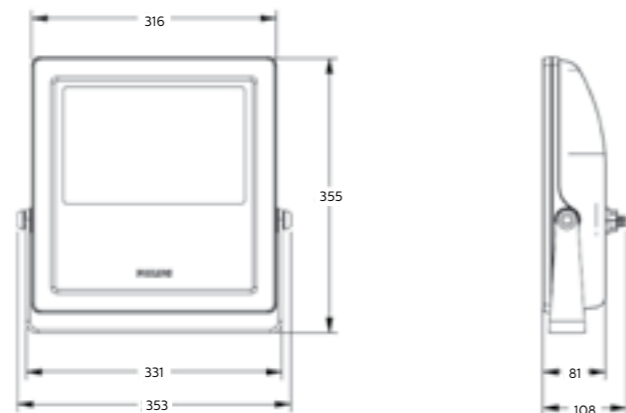
Special Vaya Flood HP is a reliable and cost effective high output white light, designed for spot lighting, wall washing, and flood lighting applications. The light levels achieved by this compact & light weight fixture make it ideal for illuminating large-scale exterior facades, bridges, and monuments. Integrated power and adjustable tilt angle make this product versatile and easy to use.

Features and Benefits

- 10lx at 100m / 1fc at 328ft
- Compact size & light-weight
- Robust design & IP66 rating for outdoor use
- Available in standard 3000K & 4000K
- Available with standard 10° & 20°
- Auto-ranging 220~240V AC
- 3-Year Warranty*

Product size

All dimensions in millimeters



IP66

50Khrs

Technical parameters

Product	Special Vaya Flood HP, White & Mono
Height	353 mm (13.9in), including surface mount base
Width	353 mm (13.9in)
Depth	108 mm (4.25in)
Mounting	Integrated tilting surface-mount base
Source	High-brightness White or Mono LEDs
Standard Beam Angles	20° or 40°
Output Luminous Flux	9,700 lumens
Efficacy	90lm/W
CRI	80 Ra
Lumen Maintenance	50,000 hrs L70 at 25°C
Housing	Die Cast Aluminum, powder-coated finish RAL7043
Weight	7.75 kg (17 lbs)
Connector	3-conductor whip for power, 1.5m (5ft) long
Lens	Tempered glass
Control	On / Off
Input Voltage	220V ~ 240 VAC, 50 / 60Hz
Power Consumption	100W
Temperature Range	-20°C to 40°C (-4°F ~104°F) start-up temperature -40°C to 50°C (-40°F ~122°F) operating temperature*
Protection Rating	IP66, Wet location listed, IK06
Certifications	CE, CB, CQC
Warranty	3 Years*

* Based on max 3,000 hours usage at 50C per year



Special Vaya Linear LP, RGB

Reliable and cost effective LED lighting fixture designed for fixed or dynamic colorful lighting effects

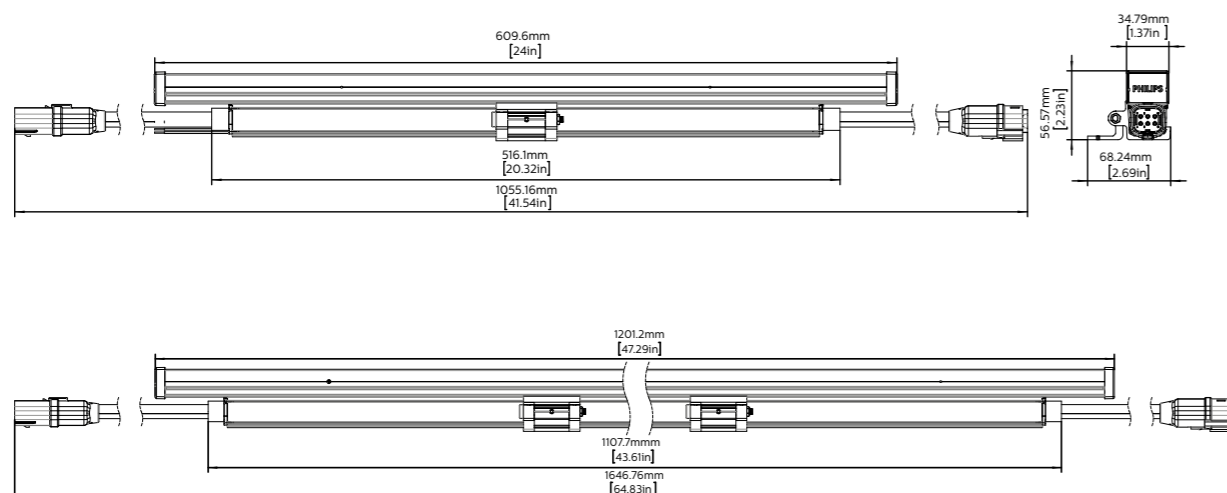
Special Vaya Linear LP RGB is a reliable and cost effective LED lighting fixture designed for fixed or dynamic colorful lighting effects. Vaya Linear LP is ideal for exterior cove lighting and low level grazing applications with a wide 120° beam or elliptical 28°x84° optics. Standard DMX-512 control make this product easy to use with Philips or third-party DMX controllers while a unified power & data connectors make installations fast, easy and reliable.

Features and Benefits

- Reliable, cost effective LED lighting fixture
- Slim outdoor rated housing
- Unified power & data connectors
- Available with 28° x 84° or 120° Beams
- Auto-ranging 100V – 240V, 50 / 60Hz input
- DMX-512 control (RGB version)
- Interior / Exterior - IP66
- 3 Years Warranty*

Product size

All dimensions in millimeters



IP66

50Khrs



Technical parameters

Product	Special Vaya Linear LP, RGB
Height	56.6 mm (2.0in) including mounting hinge
Width	34.8 mm (1.4in)
Lengths	610 mm (2 ft) 1200 mm (4 ft)
Mounting	Location adjustable and tilting surface-mount bracket
Source	High-brightness Red, Green and Blue LEDs
Beam Angle	Elliptical (28° x 84°) or Wide (120°)
Luminous Flux	610 mm (2 ft) : 300 lumens 1200 mm (4 ft) :600 lumens
Lumen Maintenance	50,000 hrs L50 at 25°C
Housing	Extruded aluminum, anodized finish RAL7043
Weight	610 mm (2 ft) : 1.0 kg (2.2 lbs) 1200 mm (4 ft) :2.0kg (4.4 lbs)
Connection	Combined power & data input and output connectors
Lens	Tempered Glass
Control	DMX-512 control, 3 channels per fixture
Input Voltage	100V – 240 VAC, 50 / 60Hz
Power Consumption	610 mm (2 ft) : 14 W 1200 mm (4 ft) :28 W
Temperature Range	-20°C to 40°C (-4°F ~ 104°F) start-up temperature -40°C to 50°C (-40°F ~ 122°F) operating temperature*
Protection Rating	IP66, Wet location listed, IK07
Certifications	CE, CB
Warranty	3 Years*

* Based on max 3,000 hours usage at 50C per year



Special Vaya Linear LP, White

Reliable and cost effective LED lighting fixture designed for static white lighting effects

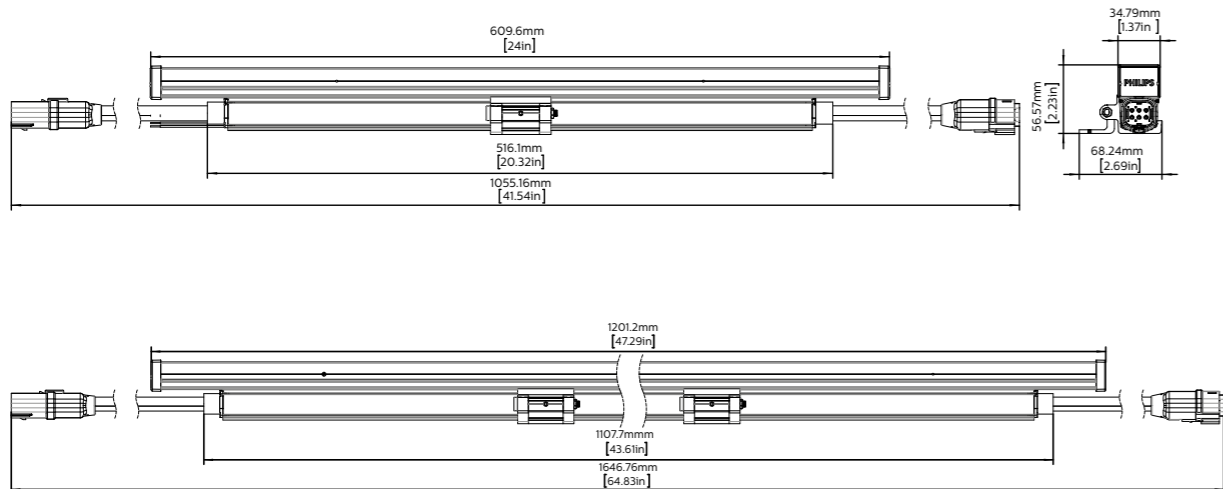
Special Vaya Linear LP White is a reliable and cost effective LED lighting fixture designed for static white lighting effects. Vaya Linear LP is ideal for exterior cove lighting and low level grazing applications with a wide 120° beam or elliptical 28°x84° optics. Two lengths and daisy-chain connectors make this product versatile and easy to use.

Features and Benefits

- Reliable, cost effective LED lighting fixture
- Slim outdoor rated housing
- Input & Output connectors
- Available with 28°x 84° or 120° Beams
- Auto-ranging 100V – 240V, 50 / 60Hz input
- Available in 4 CCTs and 4 Mono Colors
- Interior / Exterior - IP66
- 3 Years Warranty*

Product size

All dimensions in millimeters



IP66 50Khrs

Technical parameters

Product	Special Vaya Linear LP, White
Height	56.6 mm (2.0in) including mounting hinge
Width	34.8mm (1.4in)
Lengths	610 mm (2 ft) 1200 mm (4 ft)
Mounting	Location adjustable and tilting surface-mount bracket
Source	High-brightness White LEDs
Beam Angle	Elliptical (28° x 84°) or Wide (120°)
Luminous Flux (4000K)	610 mm (2 ft) : 600 lumens 1200 mm (4 ft) : 1,200 lumens
CRI (4000K)	80 Ra
Efficacy (4000K)	62 Lumens / Watt
Lumen Maintenance	50,000 hrs L70 at 25°C
Housing	Extruded aluminum, anodized finish RAL7043
Weight	610 mm (2 ft) : 1.0 kg (2.2 lbs) 1200 mm (4 ft) : 2.0kg (4.4 lbs)
Connection	Power input and output connectors
Lens	Tempered Glass
Control	On/Off, Not dimmable
Input Voltage	100V – 240 VAC, 50 / 60Hz
Power Consumption	610 mm (2 ft) : 10 W 1200 mm (4 ft) : 20 W
Temperature Range	-20°C to 40°C (-4°F ~ 104°F) start-up temperature -40°C to 50°C (-40°F ~ 122°F) operating temperature*
Protection Rating	IP66, Wet location listed, IK07
Certifications	CE, CB
Warranty	3 Years*

* Based on max 3,000 hours usage at 50C per year



Special Vaya Linear MP, RGB

Reliable and cost effective LED lighting fixture designed for fixed or dynamic colorful lighting effects

Special Vaya Linear MP RGB is a reliable and cost effective LED lighting fixture designed for fixed or dynamic colorful lighting effects. With wide and elliptical beam options, Vaya Linear MP is ideal for wall washing and grazing applications. Integrated power and unified power & data connectors make installations fast, easy and reliable.

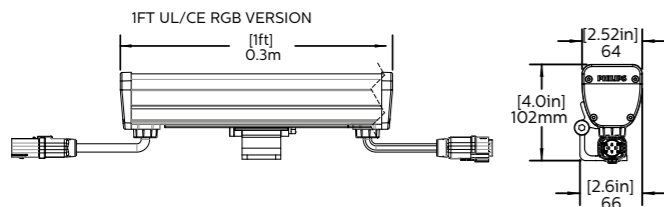
Features and Benefits

- Reliable, cost effective LED lighting fixture
- Unified power & data connectors
- Available with 10°x50° or 50° Beams
- Auto-ranging 100V – 277V, 50 / 60Hz input
- Interior / Exterior - IP66
- 3 Years Warranty*

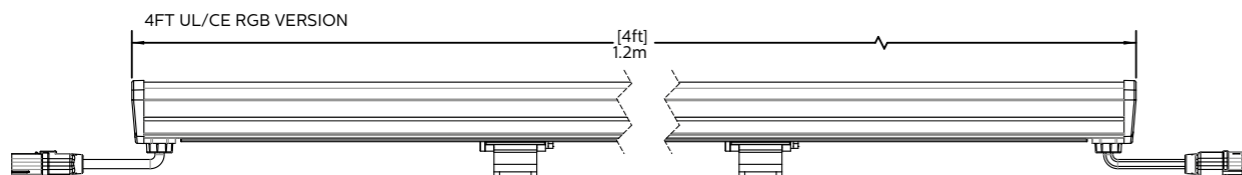
Product size

All dimensions in millimeters

0.3m (1ft) Length



1.2m (4ft) Length



IP66

50Khrs

Technical parameters

Product	Special Vaya Linear MP, RGB
Height	102 mm (4.0in) including mounting hinge
Width	64 mm (2.5in)
Lengths	310 mm (1 ft) 1210 mm (4 ft)
Mounting	Location adjustable and tilting surface-mount bracket
Source	High-brightness Red, Green and Blue LEDs
Beam Angle	Elliptical (10° x 50°) or Wide (50°)
Luminous Flux	310 mm (1 ft) : 450 lumens 1210 mm (4 ft) : 1,800 lumens
Lumen Maintenance	50,000 hrs L50 at 25°C
Housing	Extruded aluminum, anodized finish RAL7043
Weight	310 mm (1 ft) : 1.3 kg (2.85 lbs) 1210 mm (4 ft) : 3.6kg (7.9 lbs)
Connection	Combined power & data input and output connectors
Lens	Tempered Glass
Control	DMX-512 control, 3 channels per fixture
Input Voltage	100V – 277 VAC, 50 / 60Hz
Power Consumption	310 mm (1 ft) : 18 W 1210 mm (4 ft) : 60 W
Temperature Range	-20°C to 40°C (-4°F ~ 104°F) start-up temperature -40°C to 50°C (-40°F ~ 122°F) operating temperature*
Protection Rating	IP66, Wet location listed, IK06
Certifications	CE, CB
Warranty	3 Years*

* Based on max 3,000 hours usage at 50C per year



Special Vaya Linear MP, White

Reliable and cost effective LED lighting fixture designed for static white lighting effects

Special Vaya Linear MP White is a reliable and cost effective LED lighting fixture designed for static white lighting effects. With wide and elliptical beam options, Vaya Linear MP is ideal for wall washing and grazing applications. Two lengths and daisy-chain connectors make this product versatile and easy to use.

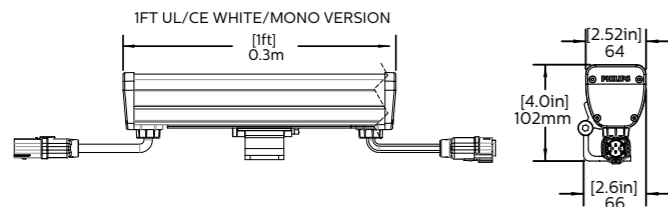
Features and Benefits

- Reliable, cost effective LED lighting fixture
- Available in standard 3000K or 4000K
- Available with 10°x50° or 50° Beams
- Auto-ranging 100V – 277V, 50 / 60Hz input
- Interior / Exterior - IP66
- 3 Years Warranty*

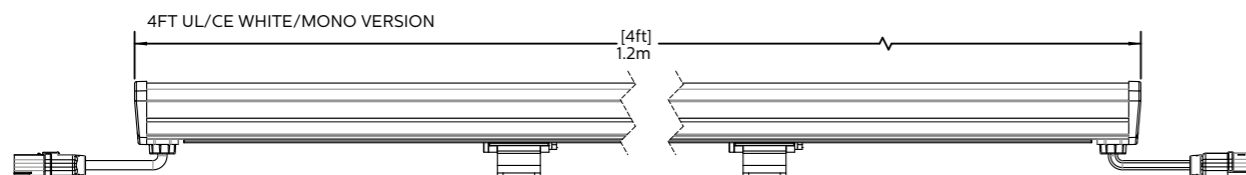
Product size

All dimensions in millimeters

0.3m (1ft) Length



1.2m (4ft) Length



IP66

50Khrs

Technical parameters

Product	Special Vaya Linear MP, White
Height	102 mm (4.0in) including mounting hinge
Width	64 mm (2.5in)
Lengths	310 mm (1 ft) 1210 mm (4 ft)
Mounting	Location adjustable and tilting surface-mount bracket
Source	High-brightness White LEDs
Beam Angle	Elliptical (10° x 50°) or Wide (50°)
Luminous Flux	310 mm (1 ft) : 840 lumens 1210 mm (4 ft) : 3,360 lumens
CRI	80Ra
Efficacy	58 lm/W
Lumen Maintenance	50,000 hrs L70 at 25°C
Housing	Extruded aluminum, anodized finish RAL7043
Weight	310 mm (1 ft) : 1.3 kg (2.85 lbs) 1210 mm (4 ft) : 3.6kg (7.9 lbs)
Connection	Daisy-chain power input and output connectors
Lens	Tempered Glass
Control	On/Off, Not dimmable
Input Voltage	100V – 277 VAC, 50 / 60Hz
Power Consumption	310 mm (1 ft) : 18 W 1210 mm (4 ft) : 60 W
Temperature Range	-20°C to 40°C (-4°F ~ 104°F) start-up temperature -40°C to 50°C (-40°F ~ 122°F) operating temperature*
Protection Rating	IP66, Wet location listed, IK06
Certifications	CE, CB
Warranty	3 Years*

* Based on max 3,000 hours usage at 50C per year



Vaya Cove, RGB

Cost effective and reliable color-changing light fixture

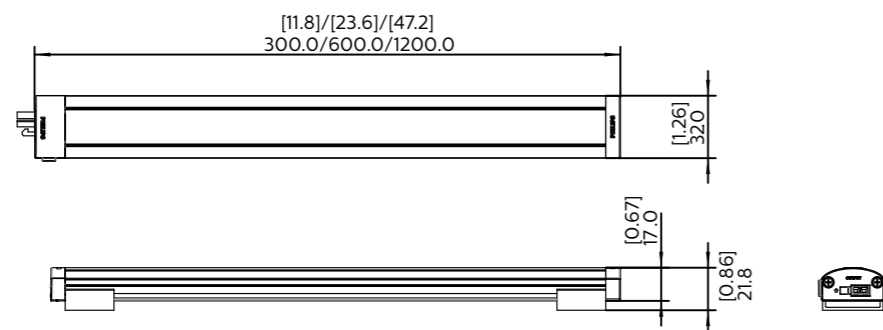
Vaya Cove is a cost effective and reliable color-changing light fixture for interior use. Vaya Cove is designed for cove and accent lighting applications. Three lengths, standard 24V DC power and DMX-512 control make this product easy to use with Philips or third-party DMX controllers.

Features and Benefits

- Cost effective, reliable LED lighting fixture
- 120° Beam Angle
- Low Voltage, 24V DC input power
- DMX-512 control
- Interior use
- 3-Year Warranty

Product size

All dimensions in millimeters



IP20

50Khrs

Technical parameters

Product	Vaya Cove, RGB
Height	21.5 mm (0.85 in) (including surface mount clip)
Width	32 mm (1.25 in) (including surface mount clip)
Lengths	0.3 m (11.8 in) 0.59 m (23 in) 1.16 m (45.7 in)
Mounting	Removable mounting clips for flush mounting
Source	High-brightness Red, Green and Blue LEDs
Beam Angle	120°
Luminous Flux	0.3 m (11.8 in) : 38 lm 0.59 m (23 in) : 75 lm 1.16 m (45.7 in) : 150 lm
Lumen Maintenance	50,000 hrs L50 at 25°C
Housing / Lens	Extruded polycarbonate, white housing with clear lens
Weight	0.3 m (11.8 in) : 90 g (0.2 lbs) 0.59 m (23 in) : 180 g (0.4 lbs) 1.16 m (45.7 in) : 360 g (0.8 lbs)
Leader Cables	White, 2 m (6.5 ft) and 8 m (25 ft)
Jumper Cables (required)	White, 24 mm (1 in), 0.3 m (12 in), 1.5 m (59 in)
Y-Jumper Cable	White, 0.3 m (12 in) data and 8 m (25 ft) power or White, 1.5 m (59 in) data and 8 m (25 ft) power
Control	DMX-512 control, 3 channels per fixture
Input Power	24V DC
Power Consumption	0.3 m (11.8 in) : 3.1 W 0.59 m (23 in) : 6.2 W 1.16 m (45.7 in) : 12.4 W
Temperature Range	-20°C to 40°C (-4°F to 104°F) operating temperature
Protection Rating	Interior applications, IP20, IK08
Certifications	UL / cUL, FCC Class A, CE, CB, CQC, SAA, C-Tick
Warranty	3 Years



Vaya Cove LP, White & Mono

Reliable and cost-effective light fixture providing white or mono color light

Vaya Cove LP is a reliable and cost-effective light fixture providing white or mono color light for interior use. Designed for cove and accent lighting applications and with two lengths, two standard white CCTs and standard 24V DC power, this product is versatile and easy to use. Vaya Cove LP works as on/off product or with any standard current sinking 0-10V/1-10V controller.

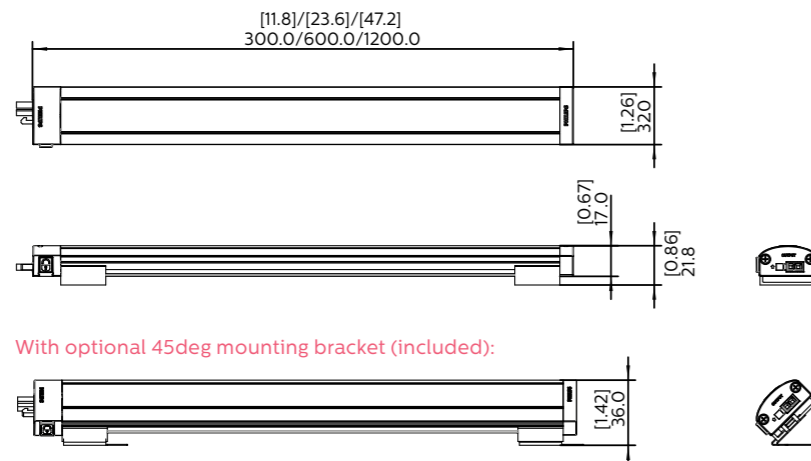
Features and Benefits

- Available in standard 3000K and 4000K
- Custom options: 2700K, 5000K, Red, Green, Blue, Amber
- Flat and angled mounting clips (Energy Star® certified)
- Low Voltage, 24V DC input power
- Standard 0-10V dimming control compatible
- 3-Year Warranty

Product size

All dimensions in millimeters

Light Fixture Dimensions:



IP40

50Khrs

Technical parameters

Product	Vaya Cove LP, White & Mono
Height	0.85 in (21.5 mm) (including surface mount clip)
Width	1.25 in (32 mm) (including surface mount clip)
Lengths	0.3 m (12 in) 1.2m (48 in)
Mounting	Removable mounting clips for flush mounting and 45deg angled mounting clips (Energy Star rated)
Source	High-brightness White, Red, Green, Blue or Amber LEDs
Beam Angle	110°
Luminous Flux	0.3 m (12 in) :250 lm 1.2m (48 in) : 1,000 lm
CRI	80 Ra
Efficacy (System)	58 Lumens / Watt
Lumen Maintenance	White: 50,000 hrs L70 at 25°C Mono: 50,000 hrs L50 at 25°C
Luminous Flux (Red)	0.3 m (12 in) : 95 lm 1.2m (48 in) : 380 lm
Luminous Flux (Green)	0.3 m (12 in) :120 lm 1.2m (48 in) : 480 lm
Luminous Flux (Blue)	0.3 m (12 in) :35 lm 1.2m (48 in) : 150 lm
Luminous Flux (Amber)	0.3 m (12 in) :75 lm 1.2m (48 in) : 300 lm
Housing / Lens	Extruded polycarbonate, white housing with clear lens
Weight	0.3 m (12 in) :90 g (0.2 lbs) 1.2m (48 in) : 360 g (0.8 lbs)
Leader Cables	2 m (6.5 ft) and 8 m (25 ft)
Jumper Cables	0.3 m (1 ft) and 5 m (15 ft)
Control	0-10V/1-10V dimming (IEC 60929) via Philips Xitanium Dimming Module
Input Power	24V DC
Power Consumption	0.3 m (12 in) :3.75 W 1.2m (48 in) : 15 W
Temperature Range	-20°C to 40°C (-4°F to 104°F) operating temperature
Protection Rating	Damp locations, IP40, IK08
Certifications	UL / cUL, FCC Class B, CE, CB
Warranty	3 Years