

PHILIPS



IntelliWhite ColorKinetics

Our IntelliWhite (iW) series offers a full range of professional tunable white light LED luminaires. They combine channels of cool, neutral, and warm white LEDs to create a range of color temperatures, which users can adjust with a simple wall-mounted device. By adjusting the color temperature of iW lighting fixtures from warm (more yellow/red) to cool (more blue), you can instantly enhance the emotional tone of a space – and dramatically improve the appearance of objects on display in stores, galleries, and museums.





CHROMACORE[®] CK TECHNOLOGY | OPTIBIN[®] CK TECHNOLOGY | POWERCORE[®] CK TECHNOLOGY



iW Graze Powercore Family

Linear exterior LED wall grazing fixtures with intelligent white light

ActiveSite system compatible

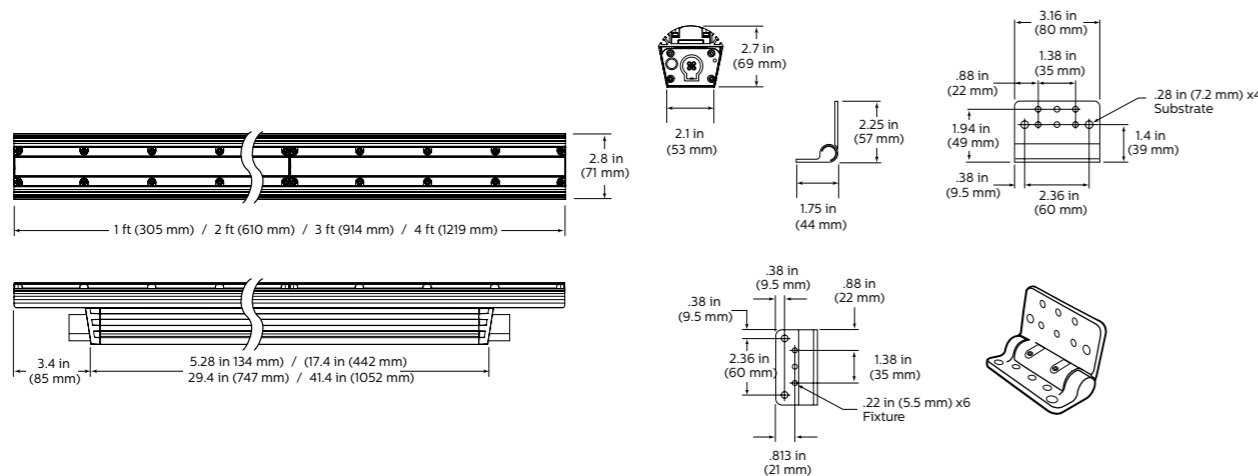
The new iW Graze Powercore family dramatically extends the range and flexibility of the popular line of intelligent white light LED grazing fixtures from Philips Color Kinetics. These high-performance fixtures offer channels of cool, neutral, and warm white LEDs to offer color temperatures ranging from 2700K – 6500K. Multiple fixture lengths, beam angles, output levels, and power consumption levels support a large range of façade or surface illumination application. Low-profile housing, connectorized cabling, a universal power input range, and direct line-voltage operation make iW Graze Powercore fixtures easy to install and operate.

Features and Benefits

- Tailor light output to specific applications
- High-performance illumination and beam quality
- Integrates Powercore technology
- Versatile installation options
- Superior color consistency and accuracy
- Universal power input range

Product size

All dimensions in millimeters



IP66 60Khrs

iW Graze MX Powercore

Technical parameters					
Product	iW Graze MX Powercore				
	Beam Angle	1 ft (305 mm)	2 ft (610 mm)	3 ft (914 mm)	4 ft (1219 mm)
Lumens	9° x 9°	872	1744	2616	3488
	10° x 60°	860	1720	2580	3440
	15° x 30°	846	1692	2538	3384
	30° x 60°	855	1710	2565	3420
	60° x 30°	872	1744	2616	3488
Power Consumption		20 W max. at full output, steady state	40 W max. at full output, steady state	60 W max. at full output, steady state	80 W max. at full output, steady state
Dimensions (Height x Width x Depth)		2.7 x 12 x 2.8 in (69 x 305 x 71 mm)	2.7 x 24 x 2.8 in (69 x 610 x 71 mm)	2.7 x 36 x 2.8 in (69 x 914 x 71 mm)	2.7 x 48 x 2.8 in (69 x 1219 x 71 mm)
Weight		2.1 lb (1.0 kg)	4.6 lb (2.1 kg)	7.1 lb (3.2 kg)	9.3 lb (4.2 kg)
Color Temperature	2700 K – 6500 K				
LED Channels	2700 K / 4000 K / 6500 K				
Efficacy (lm / W)	34.9 (9° x 9°), 34.0 (10° x 60°), 33.3 (15° x 30°), 33.4 (30° x 60°), 34.1 (60° x 30°)				
CRI	82				
Lumen Maintenance	60,000 hours L70 @ 25° C 60,000 hours L70 @ 50° C 60,000 hours L50 @ 25° C 60,000 hours L50 @ 50° C				
Input Voltage	100 – 277 VAC, auto-ranging, 50 / 60 Hz				
Interface	Data Enabler Pro (DMX or Ethernet)				
Control System	Philips Color Kinetics full range of controllers, including Light System Manager, iPlayer 3, and ColorDial Pro, or third-party controllers				
Housing	Extruded anodized aluminum				
Lens	Clear polycarbonate				
Fixture Connectors	Integral male / female waterproof connectors				
Mounting	Multi-positional, constant torque locking hinges				
Temperature	-40° – 122° F (-40° – 50° C) Operating -4° – 122° F (-20° – 50° C) Startup -40° – 176° F (-40° – 80° C) Storage				
Humidity	0 – 95%, non-condensing				
Fixture Run Lengths	To calculate fixture run lengths and total power consumption for your specific installation, download the Configuration Calculator from www.philipscolorkinetics.com/support/install_tool/				
Certification	UL / cUL, FCC Class A, CE, PSE, C-Tick				
Environment	Dry / Damp / Wet Location, IP66				

iW Graze QLX Powercore

Technical parameters					
Product	iW Graze QLX Powercore				
	Beam Angle	1 ft (305 mm)	2 ft (610 mm)	3 ft (914 mm)	4 ft (1219 mm)
Lumens	9° x 9°	661	1322	1983	2644
	10° x 60°	624	1248	1872	2496
	15° x 30°	673	1346	2019	2692
	30° x 60°	658	1316	1974	2632
	60° x 30°	658	1316	1974	2632
Power Consumption		15 W max. at full output, steady state	30 W max. at full output, steady state	45 W max. at full output, steady state	60 W max. at full output, steady state
	Dimensions (Height x Width x Depth)	2.7 x 12 x 2.8 in (69 x 305 x 71 mm)	2.7 x 24 x 2.8 in (69 x 610 x 71 mm)	2.7 x 36 x 2.8 in (69 x 914 x 71 mm)	2.7 x 48 x 2.8 in (69 x 1219 x 71 mm)
Weight		2.1 lb (1.0 kg)	4.6 lb (2.1 kg)	7.1 lb (3.2 kg)	9.3 lb (4.2 kg)
Color Temperature	2700 K – 6500 K				
LED Channels	2700 K / 4000 K / 6500 K				
Efficacy (lm / W)	33.7 (9° x 9°)	31.5 (10° x 60°)	33.7 (15° x 30°)	33.6 (30° x 60°)	33.9 (60° x 30°)
CRI	83				
Lumen Maintenance	60,000 hours L70 @ 25° C 60,000 hours L70 @ 50° C 60,000 hours L50 @ 25° C 60,000 hours L50 @ 50° C				
Input Voltage	100 – 277 VAC, auto-ranging, 50 / 60 Hz				
Interface	Data Enabler Pro (DMX or Ethernet)				
Control System	Philips Color Kinetics full range of controllers, including Light System Manager, iPlayer 3, and ColorDial Pro, or third-party controllers				
Housing	Extruded anodized aluminum				
Lens	Clear polycarbonate				
Fixture Connectors	Integral male / female waterproof connectors				
Mounting	Multi-positional, constant torque locking hinges				
Temperature	-40° – 122° F (-40° – 50° C) Operating -4° – 122° F (-20° – 50° C) Startup -40° – 176° F (-40° – 80° C) Storage				
Humidity	0 – 95%, non-condensing				
Fixture Run Lengths	To calculate fixture run lengths and total power consumption for your specific installation, download the Configuration Calculator from www.philipscolorkinetics.com/support/install_tool/				
Certification	UL / cUL, FCC Class A, CE, PSE, C-Tick				
Environment	Dry / Damp / Wet Location, IP66				

iW Graze QLX Powercore 5W

Technical parameters					
Product	iW Graze QLX Powercore 5W				
	Beam Angle	1 ft (305 mm)	2 ft (610 mm)	3 ft (914 mm)	4 ft (1219 mm)
Lumens	9° x 9°	189	378	567	756
	10° x 60°	189	378	567	756
	15° x 30°	187	374	561	748
	30° x 60°	188	376	564	752
	60° x 30°	189	378	567	756
Power Consumption		5 W max. at full output, steady state	10 W max. at full output, steady state	15 W max. at full output, steady state	20 W max. at full output, steady state
	Dimensions (Height x Width x Depth)	2.7 x 12 x 2.8 in (69 x 305 x 71 mm)	2.7 x 24 x 2.8 in (69 x 610 x 71 mm)	2.7 x 36 x 2.8 in (69 x 914 x 71 mm)	2.7 x 48 x 2.8 in (69 x 1219 x 71 mm)
Weight		2.1 lb (1.0 kg)	4.6 lb (2.1 kg)	7.1 lb (3.2 kg)	9.3 lb (4.2 kg)
Color Temperature	2700 K – 6500 K				
LED Channels	2700 K / 4000 K / 6500 K				
Efficacy (lm / W)	20.9 (9° x 9°)	20.7 (10° x 60°)	20.5 (15° x 30°)	20.6 (30° x 60°)	20.7 (60° x 30°)
CRI	82				
Lumen Maintenance	60,000 hours L70 @ 25° C 60,000 hours L70 @ 50° C 60,000 hours L50 @ 25° C 60,000 hours L50 @ 50° C				
Input Voltage	100 – 277 VAC, auto-ranging, 50 / 60 Hz				
Interface	Data Enabler Pro (DMX or Ethernet)				
Control System	Philips Color Kinetics full range of controllers, including Light System Manager, iPlayer 3, and ColorDial Pro, or third-party controllers				
Housing	Extruded anodized aluminum				
Lens	Clear polycarbonate				
Fixture Connectors	Integral male / female waterproof connectors				
Mounting	Multi-positional, constant torque locking hinges				
Temperature	-40° – 122° F (-40° – 50° C) Operating -4° – 122° F (-20° – 50° C) Startup -40° – 176° F (-40° – 80° C) Storage				
Humidity	0 – 95%, non-condensing				
Fixture Run Lengths	To calculate fixture run lengths and total power consumption for your specific installation, download the Configuration Calculator from www.philipscolorkinetics.com/support/install_tool/				
Certification	UL / cUL, FCC Class A, CE, PSE, C-Tick				
Environment	Dry / Damp / Wet Location, IP66				

iW Graze EC Powercore

Technical parameters					
Product	iW Graze EC Powercore				
	Beam Angle	1 ft (305 mm)	2 ft (610 mm)	3 ft (914 mm)	4 ft (1219 mm)
Lumens	90° x 90°	412	824	1236	1648
Power Consumption		10 W max. at full output, steady state	20 W max. at full output, steady state	30 W max. at full output, steady state	40 W max. at full output, steady state
Dimensions (Height x Width x Depth)		2.7 x 12 x 2.8 in (69 x 305 x 71 mm)	2.7 x 24 x 2.8 in (69 x 610 x 71 mm)	2.7 x 36 x 2.8 in (69 x 914 x 71 mm)	2.7 x 48 x 2.8 in (69 x 1219 x 71 mm)
Weight		2.1 lb (1.0 kg)	4.6 lb (2.1 kg)	7.1 lb (3.2 kg)	9.3 lb (4.2 kg)
Color Temperature	2700 K – 6500 K				
LED Channels	2700 K / 4000 K / 6500 K				
Efficacy (lm / W)	29.6				
CRI	82				
Lumen Maintenance	60,000 hours L70 @ 25° C 60,000 hours L70 @ 50° C 60,000 hours L50 @ 25° C 60,000 hours L50 @ 50° C				
Input Voltage	100 – 277 VAC, auto-ranging, 50 / 60 Hz				
Interface	Data Enabler Pro (DMX or Ethernet)				
Control System	Philips Color Kinetics full range of controllers, including Light System Manager, iPlayer 3, and ColorDial Pro, or third-party controllers				
Housing	Extruded anodized aluminum				
Lens	Clear polycarbonate				
Fixture Connectors	Integral male / female waterproof connectors				
Mounting	Multi-positional, constant torque locking hinges				
Temperature	-40° – 122° F (-40° – 50° C) Operating -4° – 122° F (-20° – 50° C) Startup -40° – 176° F (-40° – 80° C) Storage				
Humidity	0 – 95%, non-condensing				
Fixture Run Lengths	To calculate fixture run lengths and total power consumption for your specific installation, download the Configuration Calculator from www.philipscolorkinetics.com/support/install_tool/				
Certification	UL / cUL, FCC Class A, CE, PSE, C-Tick				
Environment	Dry / Damp / Wet Location, IP66				





CHROMACORE[®] CK TECHNOLOGY | OPTIBIN[®] CK TECHNOLOGY | POWERCORE[®] CK TECHNOLOGY



iW Fuse Powercore

Linear interior LED wall grazing fixture with intelligent white light

ActiveSite system compatible

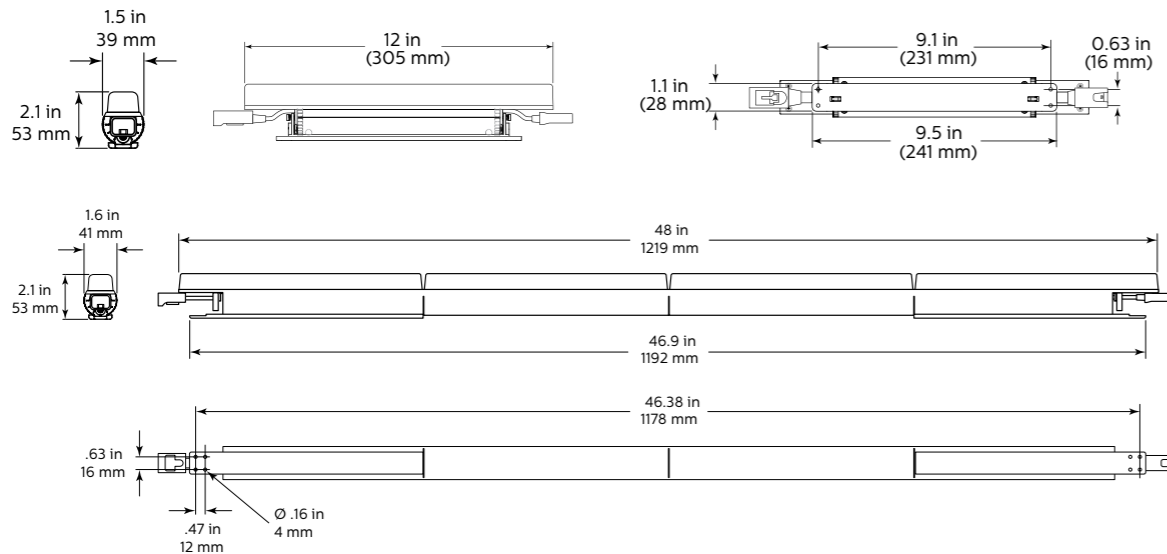
With narrow and medium beams of high-quality intelligent white light, iW Fuse Powercore is an excellent choice for a full range of surface grazing, wall-washing, and accent lighting applications. Its ultra-compact form factor permits installation in tight spaces too small to accommodate conventional grazing fixtures that offer similar level and distribution of light. With three channels of warm, neutral, and cool LED sources, this compact, versatile fixture offers a color temperature range of 2700K to 6500K. iW Fuse Powercore combines high-intensity, professional-grade light output with the efficiency and cost-effectiveness provided by Powercore technology.

Features and Benefits

- High-performance illumination
- Superior color consistency
- High-performance illumination in a wide range of color temperatures
- Integrates Powercore technology
- Industry-leading controls
- Universal power input range
- Easy installation
- Flexible mounting and positioning

Product size

All dimensions in millimeters



IP20 50Khrs

iW Fuse Powercore 1 ft (305 mm)

Technical parameters					
Product	iW Fuse Powercore 1 ft (305 mm)				
	Beam Angle	2700 K	4000 K	6500 K	All Channels
Lumens	10° x 60°	185	212	254	613
	30° x 60°	186	220	266	636
Efficacy (lm / W)	10° x 60°	21.8	25.6	30.6	38.3
	30° x 60°	22.1	26.1	31.1	38.8
CRI	10° x 60°	82	81	73	81
	30° x 60°	82	82	73	81
Beam Angle	10° x 60° (narrow) / 30° x 60° (medium)				
Color Temperature	2700 K – 6500 K				
LED Channels	2700 K / 4000 K / 6500 K				
Lumen Maintenance	50,000 hours L70 @ 25° C 50,000 hours L70 @ 50° C 50,000 hours L50 @ 25° C 50,000 hours L50 @ 50° C				
Input Voltage	100 – 240 VAC, auto-switching, 50 / 60 Hz				
Power Consumption	12.5 W maximum at full output, steady state				
Interface	Data Enabler Pro (DMX / Ethernet)				
Control System	Philips Color Kinetics full range of controllers, including Light System Manager, iPlayer 3, and ColorDial Pro, or third-party controllers				
Dimensions (Height x Width x Depth)	2.1 x 12 x 1.5 in (53 x 305 x 39 mm)				
Weight	0.98 lbs (.45 kg)				
Housing	Die-cast aluminium, white powder-coated finish				
Lens	Polycarbonate				
Fixture Connections	Integral male / female connectors				
Temperature Ranges	-4° – 122° F (-20° – 50° C) Operating -4° – 122° F (-20° – 50° C) Startup -40° – 176° F (-40° – 80° C) Storage				
Humidity	0 – 95%, non-condensing				
Fixture Run Lengths	To calculate fixture run lengths and total power consumption for your specific installation, download the Configuration Calculator from www.philipscolorkinetics.com/support/install_tool/				
Certification	UL / cUL, FCC Class B, CE, PSE, CCC, SAA, C-Tick				
Environment	Dry / Damp Location, IP20				

iW Fuse Powercore 4 ft (1.2 m)

Technical parameters					
Product	iW Fuse Powercore 4 ft (1.2 m)				
	Beam Angle	2700 K	4000 K	6500 K	All Channels
Lumens	10° x 60°	729	880	983	2455
	30° x 60°	727	861	967	2427
Efficacy (lm / W)	10° x 60°	35.4	42.7	47.7	48.6
	30° x 60°	35.5	42.0	47.2	48.2
CRI	10° x 60°	82	81	74	82
	30° x 60°	82	81	74	82
Beam Angle	10° x 60° (narrow) / 30° x 60° (medium)				
Color Temperature	2700 K – 6500 K				
LED Channels	2700 K / 4000 K / 6500 K				
Lumen Maintenance	50,000 hours L70 @ 25° C 50,000 hours L70 @ 50° C 50,000 hours L50 @ 25° C 50,000 hours L50 @ 50° C				
Input Voltage	100 – 240 VAC, auto-switching, 50 / 60 Hz				
Power Consumption	50 W maximum at full output, steady state				
Interface	Data Enabler Pro (DMX / Ethernet)				
Control System	Philips Color Kinetics full range of controllers, including Light System Manager, iPlayer 3, and ColorDial Pro, or third-party controllers				
Dimensions (Height x Width x Depth)	2.1 x 48 x 1.5 in (53 x 1219 x 39 mm)				
Weight	4.37 lbs (1.98 kg)				
Housing	Die-cast aluminium, white powder-coated finish				
Lens	Polycarbonate				
Fixture Connections	Integral male / female connectors				
Temperature Ranges	-4° – 122° F (-20° – 50° C) Operating -4° – 122° F (-20° – 50° C) Startup -40° – 176° F (-40° – 80° C) Storage				
Humidity	0 – 95%, non-condensing				
Fixture Run Lengths	To calculate fixture run lengths and total power consumption for your specific installation, download the Configuration Calculator from www.philipscolorkinetics.com/support/install_tool/				
Certification	UL / cUL, FCC Class B, CE, PSE, CCC, SAA, C-Tick				
Environment	Dry / Damp Location, IP20				



CHROMACORE[®] CK TECHNOLOGY | OPTIBIN[®] CK TECHNOLOGY | POWERCORE[®] CK TECHNOLOGY



iW Reach Powercore gen2

Premium long-throw exterior floodlight with intelligent white light

ActiveSite system compatible

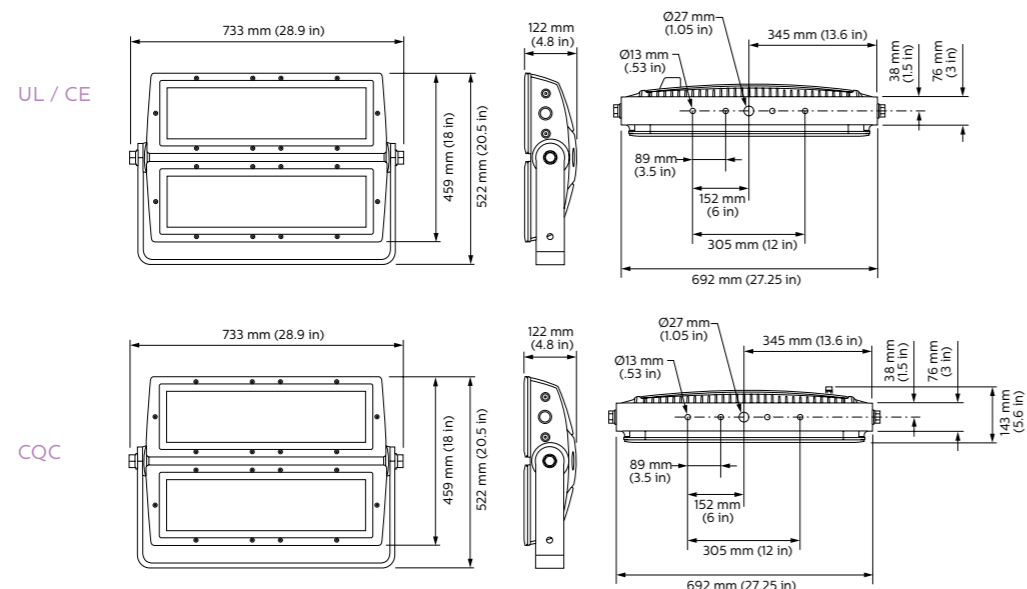
iW Reach Powercore gen2 high-performance LED fixtures are premium exterior long-throw dynamic high-quality white luminaires for lighting tall buildings, bridges, and iconic structures. iW Reach Powercore gen2 outputs washes of white light in color temperatures ranging from a warm 2700K to a cool 6500K. A full range of accessories allow for customizable beam angles for floodlighting, spotlighting, wall washing, and grazing, along with the efficiency and cost-effectiveness of Powercore technology in a rugged die-cast aluminium housing.

Features and Benefits

- High-performance illumination in a wide range of color temperatures
- Unparalleled light output
- Expanded customization with a wide range of new Philips accessory options
- Superior color consistency and accuracy
- Integrates patented Powercore technology that controls power output to fixtures directly from line voltage
- Simple fixture positioning
- Universal power input range
- Works seamlessly with the complete Philips Color Kinetics line of controllers, including ColorDial Pro, iPlayer 3, and Light System Manager—as well as third-party controllers

Product size

All dimensions in millimeters



IP66 100Khrs

Technical parameters

Product	iW Reach Compact Powercore gen2
Type	UL / CE, CQC
Beam Angle	5° primary optic (no spread lens) 8°/13°/23°/43°/63°/5° x 17° (asymmetric) spread lenses
Color Temperature	2700 K – 4000 K (all channels full on)
Lumens	14,880 (no spread lens, full unit, all channels full on)
Efficacy (lm / W)	64.8 (no spread lens, full unit, all channels full on)
CRI	79 (no spread lens, full unit, all channels full on)
Input Voltage	UL / CE : 100 – 277 VAC, auto-switching, 50 / 60 Hz CQC : 100 – 240 VAC, auto-switching, 50 / 60 Hz
Power Consumption	250 W maximum at full output, steady state
Lumen Maintenance	84,000 hrs L90 @ 25°C 48,000 hrs L90 @ 50°C >100,000 hrs L80 @ 25°C >100,000 hrs L80 @ 50°C >100,000 hrs L70 @ 25°C >100,000 hrs L70 @ 50°C
Power Factor	UL / CE : .99 @ 120 VAC CQC : .99 (no spread lens, full unit, all channels full on) @ 120 VAC
Interface	Data Enabler Pro (DMX / Ethernet)
Control System	Philips Color Kinetics full range of controllers, including Light System Manager, iPlayer 3, and ColorDial Pro, or third-party controllers
Dimensions (Height x Width x Depth)	522 x 733 x 122 mm (20.5 x 28.9 x 4.8 in)
Weight	34 kg (75 lb)
Effective Projected Area (EPA)	0.42 m ²
Housing	Die-cast aluminium, powder-coated finish
Mechanical Impact	IK07
Lens	Tempered glass
Fixture Connections	UL / CE : Integral male/female waterproof connector CQC : Integral male/female waterproof connector, 1.8 m (6 ft) unified power/data cable
Temperature Ranges	-40° – 50° C (-40° – 122° F) Operating -20° – 50° C (-4° – 122° F) Startup -40° – 80° C (-40° – 176° F) Storage
Humidity	0 – 95%, non-condensing
Fixture Run Lengths	To calculate fixture run lengths and total power consumption for your specific installation, download the Configuration Calculator from www.philipscolorkinetics.com/support/install_tool/
Certification	UL / CE : UL/cUL, FCC Class A, CE, PSE CQC : CQC, CE, FCC Class A, PSE
Environment	Dry / Damp / Wet Location, IP66



iW Reach Compact Powercore

Premium long-throw exterior floodlight with intelligent white light

ActiveSite system compatible

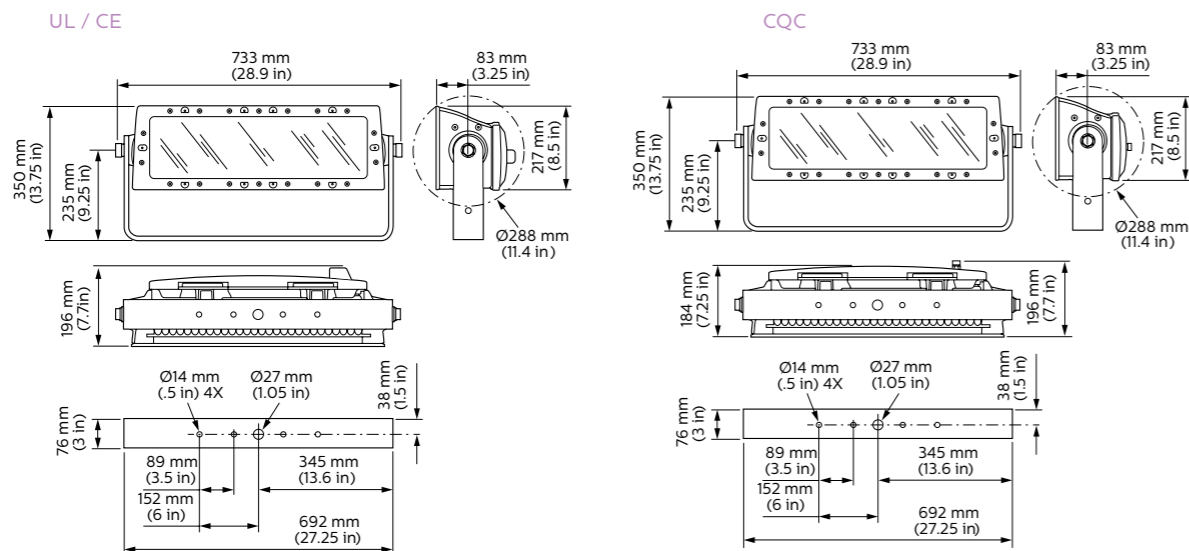
iW Reach Compact Powercore high-performance LED fixtures are premium exterior long-throw dynamic high-quality white luminaires for lighting tall buildings, bridges, and iconic structures. iW Reach Compact Powercore outputs washes of white light in color temperatures ranging from a warm 2700K to a cool 6500K. A full range of accessories allow for customizable beam angles for floodlighting, spotlighting, wall washing, and grazing, along with the efficiency and cost-effectiveness of Powercore technology in a rugged die-cast aluminium housing.

Features and Benefits

- High-performance illumination in a wide range of color temperatures
- Unparalleled light output
- Expanded customization with a wide range of new Philips accessory options
- Superior color consistency and accuracy
- Integrates Powercore technology
- Simple fixture positioning
- Universal power input range
- Works seamlessly with the complete Philips Color Kinetics line of controllers, including ColorDial Pro, iPlayer 3, and Light System Manager—as well as third-party controllers

Product size

All dimensions in millimeters



IP66 100Khrs

Technical parameters	
Product	iW Reach Compact Powercore
Type	UL / CE, CQC
Beam Angle	5° primary optic (no spread lens) 8°/13°/23°/43°/63°/5° x 17° (asymmetric) spread lenses
Color Temperature	2700 K – 4000 K (all channels, full on)
Lumens	7,425 (no spread lens, all channels full on)
Efficacy (lm / W)	62.1 (no spread lens, all channels full on)
CRI	79 (no spread lens, all channels full on)
Lumen Maintenance	84,000 hours L90 @ 25° C 48,000 hours L90 @ 50° C >100,000 hours L80 @ 25° C >100,000 hours L80 @ 50° C >100,000 hours L70 @ 25° C >100,000 hours L70 @ 50° C
Input Voltage	UL / CE : 100 – 277 VAC, auto-switching, 50/60 Hz CQC : 100 – 240 VAC, auto-switching, 50 / 60 Hz
Power Consumption	130 W maximum at full output, steady state
Power Factor	.99 @ 120 VAC
Interface	Data Enabler Pro (DMX / Ethernet)
Control System	Philips Color Kinetics full range of controllers, including Light System Manager, iPlayer 3, and ColorDial Pro, or third-party controllers
Dimensions (Height x Width x Depth)	350 x 733 x 196 mm (13.8 x 28.9 x 7.7 in)
Weight	23 kg (51 lb)
Effective Projected Area (EPA)	0.186 m ²
Mechanical Impact	IK07
Housing	Die-cast aluminium, powder-coated finish
Lens	Tempered glass
Fixture Connections	UL / CE : Integral male/female waterproof connector CQC : Integral male/female waterproof connector 1.8 m (6 ft) unified power/data cable
Temperature Ranges	-40° – 50° C (-40° – 122° F) Operating -20° – 50° C (-4° – 122° F) Startup -40° – 80° C (-40° – 176° F) Storage
Humidity	0 – 95%, non-condensing
Fixture Run Lengths	To calculate fixture run lengths and total power consumption for your specific installation, download the Configuration Calculator from www.philipscolorkinetics.com/support/install_tool/
Certification	UL / CE : UL/cUL, FCC Class A, CE, PSE CQC : CQC, CE, FCC Class A, PSE
Environment	Dry / Damp / Wet Location, IP66



iW Burst Compact Powercore

Architectural and landscape LED spotlight with intelligent white light

ActiveSite system compatible

iW Burst Compact Powercore is a high-output, exterior-rated LED spotlight designed for accent and site lighting. iW Burst Powercore combines channels of warm and cool LEDs to offer variable color temperatures ranging from 2700K – 6500K. Architectural and Landscape versions support a range of uplighting, floodlighting, and decorative lighting applications.

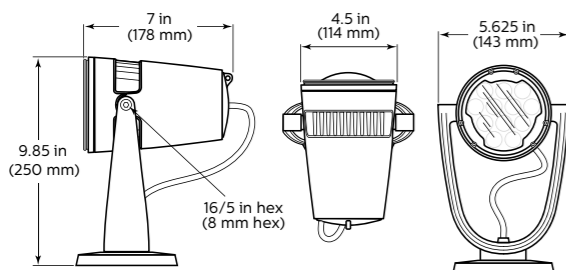
Features and Benefits

- Integrates patented Powercore technology
- Flexible mounting in architectural applications
- Support for a wide range of landscape applications
- Wide range of color temperature and brightness
- Exchangeable optics and accessories
- Versatile light positioning
- Universal power input range
- Outdoor rated

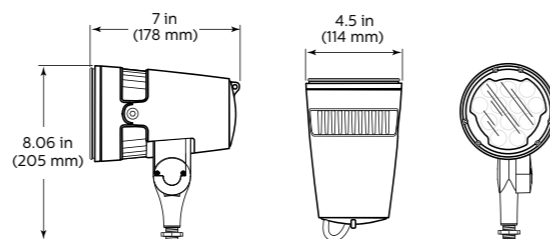
Product size

All dimensions in millimeters

iW Burst Compact Powercore Architectural



iW Burst Compact Powercore Landscape



IP66 50Khrs

Technical parameters

Product	iW Burst Compact Powercore
Beam Angle	8° primary optic 14° / 23° / 41° spread lenses 10° x 41° asymmetric spread lens
Color Temperature	2700 K – 6500 K
Lumens	709 (8°), 622 (14°), 621 (23°), 609 (41°), 637 (10° x 41°)
Efficacy (lm / W)	32.5 (8°), 28.5 (14°), 28.5 (23°), 27.9 (41°), 29.2 (10° x 41°)
Lumen Maintenance	50,000 hours L70 @ 25° C 35,000 hours L70 @ 50° C 50,000 hours L50 @ 25° C 50,000 hours L50 @ 50° C
Input Voltage	100 – 240 VAC, auto-switching, 50 / 60 Hz
Power Consumption	15 W maximum at full output, steady state
Interface	Data Enabler Pro (DMX / Ethernet)
Control System	Philips full range of controllers, including Light System Manager, iPlayer 3, and ColorDial Pro, or third-party controllers
Dimensions (Height x Width x Depth)	9.85 x 4.5 x 7.0 in (250 x 114 x 178 mm) Architectural 8.06 x 4.5 x 7.0 in (205 x 114 x 178 mm) Landscape
Weight	8.7 lb (3.9 kg) Architectural 4.4 lb (2.0 kg) Landscape
Housing	Die-cast aluminium, powder-coated finish
Lens	Tempered glass
Fixture Connections	6 ft (1.8 m) unified power / data cable with flying leads Architectural 6 in (152 mm) flying leads Landscape
Temperature Ranges	-40° – 122° F (-40° – 50° C) Operating -4° – 122° F (-20° – 50° C) Startup -40° – 176° F (-40° – 80° C) Storage
Fixture Connections	ANSI C136.31 (Architectural only)
Humidity	0 – 95%, non-condensing
Fixture Run Lengths	77 @ 100 VAC 78 @ 120 VAC 78 @ 220 VAC 78 @ 240 VAC Example configuration: 20 A circuit, 20 ft (6.1 m) leader cable from Data Enabler Pro to the first junction box, and 2 ft (610 mm) jumper cables between fixtures
Certification	UL / cUL, FCC Class A, CE, PSE, C-Tick, CQC, SAA
Environment	Dry / Damp / Wet Location, IP66



CHROMACORE[®] CK TECHNOLOGY | OPTIBIN[®] CK TECHNOLOGY | POWERCORE[®] CK TECHNOLOGY



iW Cove MX Powercore

Premium interior linear LED cove and accent fixture with intelligent white light

ActiveSite system compatible

iW Cove MX Powercore is a high-performance, white-light LED fixture that brilliantly illuminates alcoves and other interior spaces wherever adjustable color temperature is required. With three channels of warm, neutral, and cool LED sources, this compact, versatile fixture offers a color temperature range of 2700K to 6500K. With its rotating housing, flexible end-to-end locking power connectors, and wide and medium beam angles, iW Cove MX Powercore is the perfect choice for retail, exhibit, hospitality, and architectural applications.

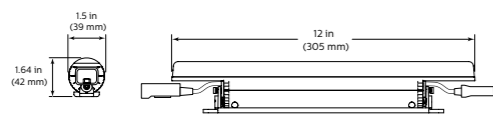
Features and Benefits

- Superior beam quality
- High-performance illumination in a wide range of color temperatures
- Integrates Powercore technology
- Universal power input range
- Easy installation
- Flexible mounting and positioning

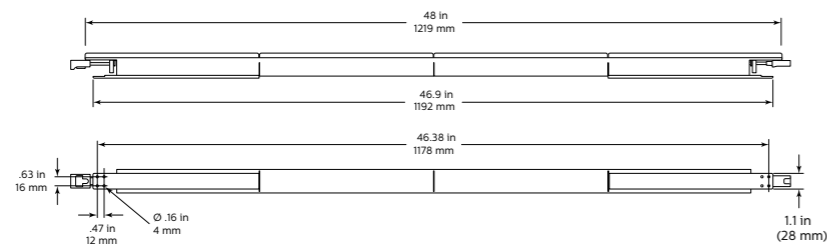
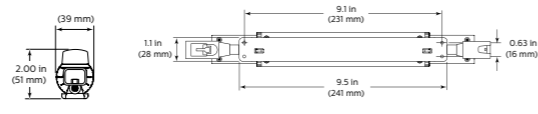
Product size

All dimensions in millimeters

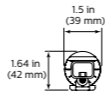
Wide beam angle



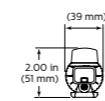
Medium beam angle



Wide beam angle



Medium beam angle



IP20

50Khrs

iW Cove MX Powercore 1 ft (305 mm)

Technical parameters					
Product	iW Cove MX Powercore 1 ft (305 mm)				
	Beam Angle	2700 K	4000 K	6500 K	All Channels
Lumens	110° x 110°	184	243	271	656
	50° x 70°	136	167	187	458
Efficacy (lm / W)	110° x 110°	20.9	27.2	31.2	37.3
	50° x 70°	15.9	19.5	22.1	27.6
CRI	110° x 110°	85	81	73	82
	50° x 70°	83	83	75	82
Lumen Maintenance	50,000 hours L70 @ 25° C 50,000 hours L70 @ 50° C 50,000 hours L50 @ 25° C 50,000 hours L50 @ 50° C				
Input Voltage	100 – 240 VAC, auto-switching, 50 / 60 Hz				
Power Consumption	13 W maximum at full output, steady state				
Interface	Data Enabler Pro (DMX / Ethernet)				
Control System	Philips Color Kinetics full range of controllers, including Light System Manager, iPlayer 3, and ColorDial Pro, or third-party controllers				
Dimensions (Height x Width x Depth)	1.6 x 12 x 1.5 in 42 x 305 x 39 mm (110° x 110°) 2.0 x 12 x 1.5 in 51 x 305 x 39 mm (50° x 70°)				
Weight	0.82 lb (372 g) (110° x 110°) 1 lb (454 g) (50° x 70°)				
Housing	Die-cast aluminium, white powder-coated finish.				
Lens	Clear polycarbonate				
Fixture Connections	Integral male / female connectors				
Temperature Ranges	-4° – 122° F (-20° – 50° C) Operating -4° – 122° F (-20° – 50° C) Startup -40° – 176° F (-40° – 80° C) Storage				
Humidity	0 – 95%, non-condensing				
Fixture Run Lengths	To calculate fixture run lengths and total power consumption for your specific installation, download the Configuration Calculator from www.philipscolorkinetics.com/support/install_tool/				
Certification	UL / cUL, FCC Class B, CE, PSE, CCC, SAA, C-Tick				
Environment	Dry / Damp Location, IP20				

iW Cove MX Powercore 4 ft (1.2 m)

Technical parameters					
Product	iW Cove MX Powercore 4 ft (1.2 m)				
	Beam Angle	2700 K	4000 K	6500 K	All Channels
Lumens	110° x 110°	727	896	1003	2471
	50° x 70°	514	615	702	1726
Efficacy (lm / W)	110° x 110°	35.1	43.3	48.5	48.6
	50° x 70°	25.1	30.0	34.4	34.4
CRI	110° x 110°	82	81	73	81
	50° x 70°	82	81	74	82
Lumen Maintenance	50,000 hours L70 @ 25° C 50,000 hours L70 @ 50° C 50,000 hours L50 @ 25° C 50,000 hours L50 @ 50° C				
Input Voltage	100 – 240 VAC, auto-switching, 50 / 60 Hz				
Power Consumption	50 W maximum at full output, steady state				
Interface	Data Enabler Pro (DMX / Ethernet)				
Control System	Philips Color Kinetics full range of controllers, including Light System Manager, iPlayer 3, and ColorDial Pro, or third-party controllers				
Dimensions (Height x Width x Depth)	1.64 x 48 x 1.5 in 42 x 1219 x 38 mm (110° x 110°) 2.00 x 48 x 1.5 in 51 x 1219 x 38 mm (50° x 70°)				
Weight	4.1 lb (1.85 kg) (110° x 110°) 4.6 lb (2.1 kg) (50° x 70°)				
Housing	Die-cast aluminium, white powder-coated finish.				
Lens	Clear polycarbonate				
Fixture Connections	Integral male / female connectors				
Temperature Ranges	-4° – 122° F (-20° – 50° C) Operating -4° – 122° F (-20° – 50° C) Startup -40° – 176° F (-40° – 80° C) Storage				
Humidity	0 – 95%, non-condensing				
Fixture Run Lengths	To calculate fixture run lengths and total power consumption for your specific installation, download the Configuration Calculator from www.philipscolorkinetics.com/support/install_tool/				
Certification	UL / cUL, FCC Class B, CE, PSE, CCC, SAA, C-Tick				
Environment	Dry / Damp Location, IP20				

iW Accent Compact



CHROMACORE
CK TECHNOLOGY



iW Accent Compact

High resolution media direct view linear LED fixture with intelligent color light

ActiveSite system compatible

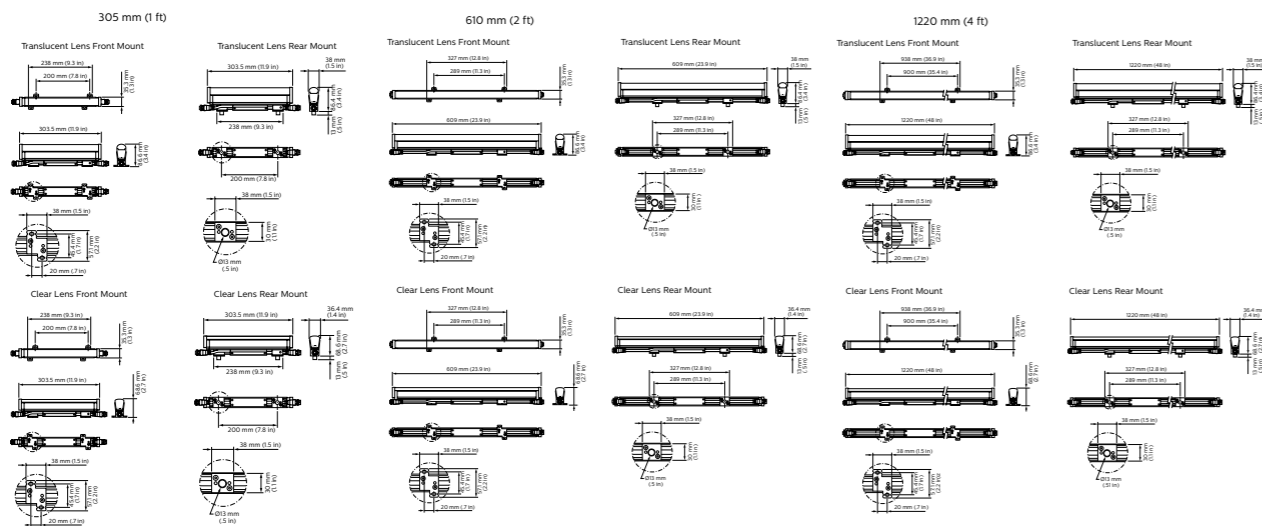
iW Accent Compact is a direct view linear LED fixture ideally suited for displaying large-scale video, graphics, and intricately designed effects in a host of architectural settings. iW Accent Compact accepts Ethernet input from the PDS-400 48V EO to support long control runs not subject to DMX data and addressing limitations. Two lens choices are available for iW Accent Compact: a clear lens which delivers the brightest output and a translucent lens which provides the widest viewing.

Features and Benefits

- Precise resolution control
- Native, onboard Ethernet
- Three fixture lengths
- Rugged, durable construction
- Flexible positioning
- Industry-leading controls
- Universal power input range
- ActiveSite integration

Product size

All dimensions in millimeters



IP66 60Khrs

Technical parameters

Product	iW Accent Compact			
		305 mm (1 ft)	610 mm (2 ft)	1219 mm (4 ft)
Lumens	Clear Lens	400	800	1600
	Translucent Lens	341	682	1364
Lumens Per Pixel	Clear Lens	25	500	100
	Translucent Lens	21.3	42.6	85.2
Efficacy (lm/W)	Clear Lens	41.9	41.9	41.9
	Translucent Lens	35.6	35.6	35.6
On-Axis Candela	Clear Lens	141	282	564
	Translucent Lens	78	156	312
On-Axis Candela Per Pixel	Clear Lens	8.8	17.6	35.3
	Translucent Lens	4.9	9.8	19.5
Viewing Angle	Clear Lens	105°		
	Translucent Lens	210°		
Lumen Maintenance	60,000+ hours L70 @ 25° C (full output) 60,000+ hours L70 @ 50° C (full output)			
LED Channels	2700 K / 4000 K / 6500 K			
Input Voltage	100 – 277 VAC, auto-switching, 48V via PDS-400 48V EO			
Power Consumption	10 W per fixture maximum at full output, steady state	16 W per fixture maximum at full output, steady state	28 W per fixture maximum at full output, steady state	
Interface	PDS-400 48V EO, CM-400 48V EO			
Control System	Philips full range of controllers, including Video System Manager Pro, Light System Manager, and iPlayer 3, or third-party controllers			
Dimensions (Height x Width x Depth)	Clear Lens	68.6 x 303.5 x 35.3 mm (2.7 x 11.9 x 1.3 in)	68.6 x 609 x 35.3 mm (2.7 x 23.9 x 1.3 in)	68.6 x 1220 x 35.3 mm (2.7 x 48 x 1.3 in)
	Translucent Lens	86.6 x 303.5 x 35.3 mm (3.4 x 11.9 x 1.3 in)	86.6 x 609 x 35.3 mm (3.4 x 23.9 x 1.3 in)	86.6 x 1220 x 35.3 mm (3.4 x 48 x 1.3 in)
Weight	Clear Lens	1.3 lb (0.61 kg)	2 lb (0.91 kg)	3.4 lb (1.53 kg)
	Translucent Lens	1.4 lb (0.63 kg)	2.1 lb (0.96 kg)	3.6 lb (1.64 kg)
Housing	Extruded aluminum/polycarbonate			
Lens	Clear or translucent polycarbonate			
Fixture Connections	Over-molded, integral male/female connectors			
Temperature Ranges	-40° – 50° C (-40° – 122° F) Operating -20° – 50° C (-4° – 122° F) Startup -40° – 80° C (-40° – 176° F) Storage			
Maximum Fixtures Per PDS-400 48V EO	31	20	12	
Humidity	0 – 95%, non-condensing			
Mechanical Impact	IK10			
Certification	UL / cUL, CE, CQC, FCC Class A, RCM			
Environment	Dry/Damp/Wet Location, IP66			

