

# PHILIPS



## IntelliHue ColorKinetics

IntelliHue is our advanced approach to color mixing, which enables the same luminaire to provide high-quality intelligent color and white light. Multiple channels of LED light sources combine to produce a full spectrum of precisely controllable light, including millions of saturated colors, pastels, and uniform white light – all with unrivaled color accuracy across the entire range of color temperatures.

ColorBlast IntelliHue  
Powercore gen4

520



ColorBurst IntelliHue  
Powercore

522





CHROMACORE<sup>®</sup> CK TECHNOLOGY | OPTIBIN<sup>®</sup> CK TECHNOLOGY | POWERCORE<sup>®</sup> CK TECHNOLOGY



# ColorBlast IntelliHue Powercore gen4

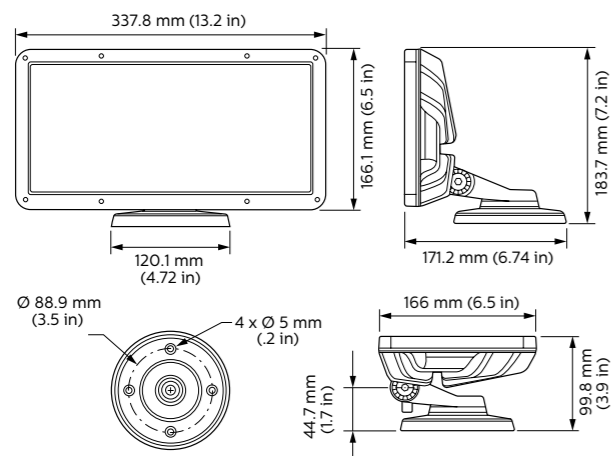
Customizable exterior LED flood fixture with intelligent color light

## ActiveSite system compatible

ColorBlast IntelliHue Powercore gen4 high-performance LED fixtures combine white and rich, saturated, color and color-changing effects with simplified installation. ColorBlast IntelliHue Powercore gen4 offers a range of accessories that allow for customizable beam angles for floodlighting, spotlighting, wall washing, and grazing, along with the efficiency and cost-effectiveness of Powercore technology in a rugged die-cast aluminum housing.

## Product size

All dimensions in millimeters



## Features and Benefits

- Expands customization with a wide range of new Philips accessory options. In addition to the native 10° lens, five different diffuser lenses can customize the fixture to produce 20°, 40°, 60°, 80°, and 10° x 40° (asymmetric) beam angles. Three housing color choices (black, gray, and white)—plus the option to add or combine a louver, rock guard, full glare shield, and half glare shield—create new aesthetic possibilities for designers and architects.
- Improves color consistency between all LED fixtures in a family with Chromasync technology. During the manufacturing process a calibrated light measurement device creates an algorithm to define a common color gamut for an entire family of LED fixtures. When Chromasync is enabled, color consistency between fixtures is achieved without having to manually adjust color points on each fixture.
- Meets ASTM B117 standard for > 1,500 hours of corrosion resistance and ANSI C136.31-2010 standard with a 3G vibration rating.
- Delivers R9 values that can reach up to 81. Saturated red light gives objects and surfaces a vibrant and rich color that is ideal for spaces where ambience is important.
- Features an innovative, redesigned optical system that improves the quality of light from each LED, enhancing the color uniformity and color mixing capabilities of each ColorBlast IntelliHue Powercore gen4 luminaire.
- Improves durability with new flat lens that prevents water from pooling into the fixture, keeping the LEDs protected and secure over the course of a luminaire's lifetime.
- Integrates patented Powercore technology that controls power output to fixtures directly from line voltage – rapidly, efficiently, and accurately. The Philips Color Kinetics Data Enabler Pro merges line voltage with control data and delivers them to fixtures over a single standard cable, dramatically simplifying installation and lowering total system cost.
- Universal power input range of 100 – 277 VAC.
- Works seamlessly with the complete Philips Color Kinetics line of controllers, including ColorDial Pro, iPlayer 3, and Light System Manager—as well as third-party controllers.



IP66

48Khrs

## Technical parameters

Product	ColorBlast IntelliHue Powercore gen4		
Beam Angle	10° primary optic (no diffuser) Optional diffusers: 20° / 40° / 60° / 80° / 10° x 40° (asymmetric)		
Color Temperature	All LED channels full on	2,700k	4,000k
Lumens	2,434	1,446	1,773
Efficacy	46.1	55.7	53.4
CRI		91.6	86.2
CRI R9		81.1	65.8
Lumen Maintenance	48,000+ hours L70 @ 50° C		
Effective Projected Area (EPA)	0.096 m <sup>2</sup>		
Input Voltage	100 – 277 VAC, auto-switching, 50 / 60 Hz via Data Enabler Pro		
Power Consumption	50 W maximum at full output, steady state		
Power Factor	0.99 @ 120 VAC, 0.88 @ 277 VAC		
Interface	Data Enabler Pro (DMX/Ethernet)		
Control System	Philips full range of controllers, including Light System Manager, iPlayer 3, and ColorDial Pro, or third-party controllers		
Dimensions (Height x Width x Depth)	185 x 338 x 171 mm (7.3 x 13.3 x 6.75 in)		
Weight	3.9 kg (8.2 lb)		
Housing	Die-cast aluminium, powder-coated finish		
Lens	Clear tempered glass		
Fixture Connections	1.8 m (6 ft) combined power data whip		
Temperature Ranges	-40° – 50° C (-40° – 122° F) Operating -20° – 50° C (-4° – 122° F) Startup -40° – 80° C (-40° – 176° F) Storage		
Humidity	0 – 95%, non-condensing		
Fixture Run Lengths	To calculate fixture run lengths and total power consumption for your specific installation, download the Configuration Calculator from <a href="http://www.philipscolorkinetics.com/support/install_tool/">www.philipscolorkinetics.com/support/install_tool/</a>		
Certification	UL/cUL, FCC Class A, CE, PSE, CQC, RCM, EAC, UA		
Environment	Dry / Damp / Wet Location, IP66		
Corrosion Resistance	ASTM B117 > 1,500 hours		
Vibration Resistance	ANSI C136.31-2010 3G		
Mechanical Impact	IK10		



CHROMACORE<sup>®</sup> CKTECHNOLOGY | OPTIBIN<sup>®</sup> CKTECHNOLOGY | POWERCORE<sup>®</sup> CKTECHNOLOGY | INTELLIHUE<sup>®</sup> CKTECHNOLOGY



# ColorBurst IntelliHue Powercore

Architectural and landscape LED spotlight with intelligent white and color light

**ActiveSite** system compatible

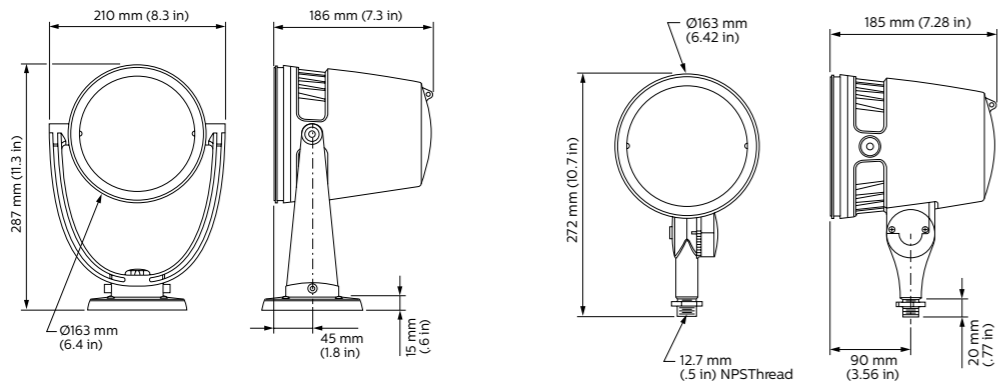
ColorBurst IntelliHue Powercore brings the precise control of color and high-quality tunable white light in the same luminaire for outdoor wall washing and spot lighting applications. The IntelliHue technology delivers 80+ CRI (2700K-4000K) and the ability to tint any CCT between 2000K and 10,000K above and below the black-body curve.

### Features and Benefits

- Expands customization with a wide range of new Philips accessory options
- Color-changing and high-quality white light from the same fixture
- Improves color consistency between all LED fixtures in a family with Chromasync technology
- Meets ASTM G85 corrosion resistance and ANSI C136.31-2010 standard with a 3G vibration rating
- Delivers R9 values that can reach up to 81
- Features an innovative, redesigned optical system that improves the quality of light from each LED
- Improves durability with new flat lens that prevents water from pooling into the fixture
- Integrates patented Powercore technology that controls power output to fixtures directly from line voltage
- Universal power input range of 100 – 277 VAC
- Works seamlessly with the complete Philips Color Kinetics line of controllers, including ColorDial Pro, iPlayer 3, and Light System Manager

### Product size

All dimensions in millimeters



ColorBurst IntelliHue Powercore Architectural

ColorBurst IntelliHue Powercore Landscape



IP66 48Khrs

Technical parameters			
Product	ColorBurst IntelliHue Powercore		
Beam Angle	8° primary optic Optional diffusers: 10°/20°/40°/60°/80°/10° x 40° (asymmetric)		
Color Temperature	<b>All LED channels full on</b>	<b>2700K</b>	<b>4000K</b>
Lumens	1481	1093	1105
Efficacy	47	59	56
CRI		83	85
R9		77	55
Lumen Maintenance	27,000 hours L90 @ 25° C 25,000 hours L90 @ 50° C 48,000+ hours L80 @ 25° C 48,000+ hours L80 @ 50° C 48,000+ hours L70 @ 25° C 48,000+ hours L70 @ 50° C		
Effective Projected Area (EPA)	26053 mm <sup>2</sup>		
Input Voltage	100 – 277 VAC, auto-switching, 50/60 Hz via Data Enabler Pro		
Power Consumption	33 W maximum at full output, steady state		
Power Factor	>0.9 @ 100 – 240 VAC, >0.85 @ 277 VAC		
Interface	Data Enabler Pro (DMX/Ethernet)		
Control System	Philips Color Kinetics full range of controllers, including Light System Manager, Video System Manager Pro, iPlayer 3, Antumbra iColor Keypad, and ColorDial Pro, or third-party controllers		
Dimensions (Height x Width x Depth)	287 x 210 x 186 mm (11.3 x 8.3 x 7.3 in) Architectural 272 x 163 x 185 mm (10.7 x 6.42 x 7.28 in) Landscape		
Weight	5.5 kg (12.1 lb) Architectural 3.5 kg (7.7 lb) Landscape		
Housing	Die-cast aluminium, powder-coated finish		
Lens	Clear tempered glass		
Fixture Connections	1.8 m (6 ft) combined power data whip Architectural 152 mm (6 in) flying leads Landscape		
Temperature Ranges	-40° – 50° C (-40° – 122° F) Operating -20° – 50° C (-4° – 122° F) Startup -40° – 80° C (-40° – 176° F) Storage		
Humidity	0 – 95%, non-condensing		
Fixture Run Lengths	To calculate fixture run lengths and total power consumption for your specific installation, download the Configuration Calculator from <a href="http://www.philipscolorkinetics.com/support/install_tool/">www.philipscolorkinetics.com/support/install_tool/</a>		
Certification	UL, cUL, FCC Class A, CE, PSE, C-Tick, CQC, SAA		
Environment	Dry/Damp/Wet Location, IP66		
Corrosion Resistance	ASTM G85		
Vibration Resistance	ANSI C136.31-2010 3G Architectural ANSI C136.31-2010 1.5G Landscape		
Mechanical Impact	IK08		