

















# PHILIPS



## EssentialWhite ColorKinetics

The EssentialWhite (eW) series from Philips Color Kinetics offers a full-range of single-channel professional LED luminaires for both interior and exterior applications, available in a range of color temperatures. eW fixtures from Philips Color Kinetics can be connected directly to line voltage, and can be dimmed with selected commercially available reverse-phase (ELV-type) dimmers.

eW Graze Powercore Family 474 	eW Fuse Powercore 478 	eW Blast Powercore gen4 482 	eW Reach Powercore gen2 484 
eW Reach Compact Powercore 486 	eW Burst Powercore 488 	eW Burst Compact Powercore 490 	eW Cove MX Powercore 492 
eW Cove QLX Powercore 496 	eW Cove EC Powercore 502 	SkyRibbon Essential White Linear Direct Powercore 506 	eW Flex Micro 508 
eW Flex Compact 510 	eW Accent Compact 512 	eW Profile Powercore 514 	eW Downlight Powercore gen2 516 





# eW Graze Powercore Family

Linear exterior LED wall grazing fixtures with solid white light

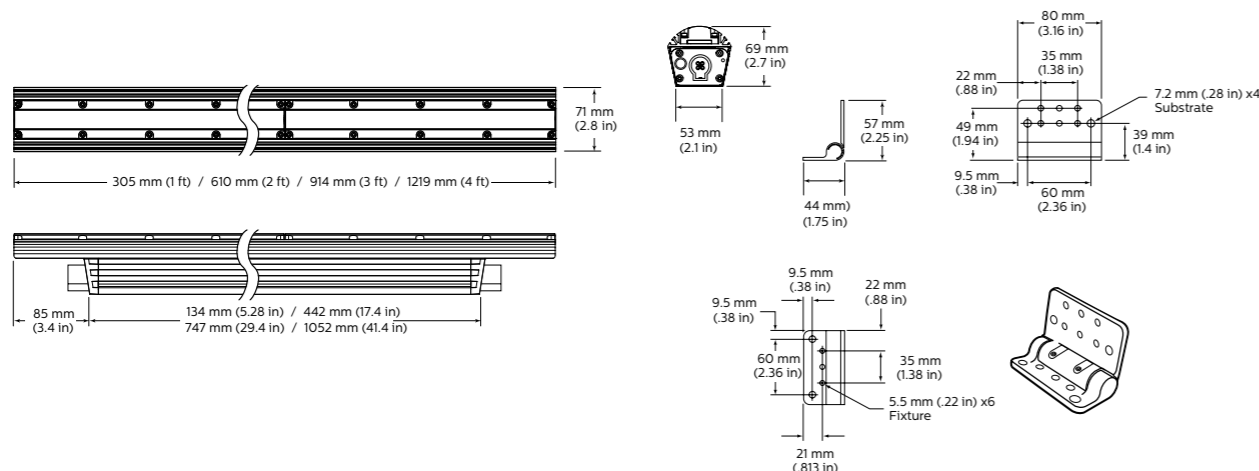
The eW Graze Powercore family extends the range and flexibility of the popular line of solid white light LED grazing luminaires from Philips Color Kinetics. Featuring Powercore technology, eW Graze Powercore luminaires process power directly from line voltage, eliminating the need for external power supplies. Luminaires are available in standard color temperatures of 2700 K, 3000 K, 3500 K, 4000 K, and 5500 K, with additional custom color temperatures available, ranging from 2200 K to 6500 K. Multiple luminaire lengths, beam angles, output levels, and power consumption levels support a wide range of façade or surface illumination applications. Low-profile housing, connected cabling, a universal power input range, and direct line-voltage operation make the luminaires easy to install and operate.

### Features and Benefits

- Tailor light output to specific applications
- High-performance illumination and beam quality
- Integrates Powercore technology
- Versatile installation options
- Superior color consistency and accuracy
- Universal power input range
- “Cool lighting” functionality
- Dimming capability

### Product size

All dimensions in millimeters



### eW Graze MX Powercore

Technical parameters						
Product eW Graze MX Powercore						
CCT	Beam Angle	Lumens				Efficacy (lm / W)
		305 mm (1 ft)	610 mm (2 ft)	914 mm (3 ft)	1219 mm (4 ft)	
2700 K	9° x 9°	735	1,470	2,205	2,940	49.3
	10° x 60°	645	1,290	1,935	2,580	47.1
	15° x 30°	710	1,420	2,130	2,840	46.4
	30° x 60°	615	1,230	1,845	2,460	45.9
	60° x 30°	694	1,388	2,082	2,776	48.2
3000 K	9° x 9°	702	1,404	2,106	2,808	48.7
	10° x 60°	673	1,346	2,019	2,692	46.9
	15° x 30°	676	1,352	2,028	2,704	47.1
	30° x 60°	672	1,344	2,016	2,688	46.7
	60° x 30°	679	1,358	2,037	2,716	47.2
3500 K	9° x 9°	822	1,644	2,466	3,288	57.3
	10° x 60°	768	1,536	2,304	3,072	53.4
	15° x 30°	775	1,550	2,325	3,100	53.7
	30° x 60°	747	1,494	2,241	2,988	51.7
	60° x 30°	755	1,510	2,265	3,020	52.3
4000 K	9° x 9°	875	1,750	2,625	3,500	60.3
	10° x 60°	829	1,658	2,487	3,316	60.5
	15° x 30°	876	1,752	2,628	3,504	60.4
	30° x 60°	775	1,550	2,325	3,100	57.8
	60° x 30°	872	1,744	2,616	3,488	60.1
Color Temperature	2700 K/3000 K/3500 K/4000 K/5500 K					
CRI	81					
Input Voltage	100 – 277 VAC, auto-ranging, 50 / 60 Hz					
Power Consumption	305 mm (1 ft) : 15 W max. at full output, steady state 610 mm (2 ft) : 30 W max. at full output, steady state 914 mm (3 ft) : 45 W max. at full output, steady state 1219 mm (4 ft) : 60 W max. at full output, steady state					
Lumen Maintenance	60,000 hrs L70 @ 25°C 60,000 hrs L70 @ 50°C 60,000 hrs L50 @ 25°C 60,000 hrs L50 @ 50°C					
Dimming	Compatible with selected commercially available reverse-phase ELV-type dimmers					
Dimensions (Height x Width x Depth)	305 mm (1 ft) : 69 x 305 x 71 mm (2.7 x 12 x 2.8 in) 610 mm (2 ft) : 69 x 610 x 71 mm (2.7 x 24 x 2.8 in) 914 mm (3 ft) : 69 x 914 x 71 mm (2.7 x 36 x 2.8 in) 1219 mm (4 ft) : 69 x 1219 x 71 mm (2.7 x 48 x 2.8 in)					
Weight	305 mm (1 ft) : 1.0 kg (2.1 lb) 610 mm (2 ft) : 2.1 kg (4.6 lb) 914 mm (3 ft) : 3.2 kg (7.1 lb) 1219 mm (4 ft) : 4.2 kg (9.3 lb)					
Housing	Extruded anodized aluminum					
Lens	Clear polycarbonate					
Luminaire Connectors	Integral male / female waterproof connectors					
Mounting	Multi-positional, constant torque locking hinges					
Temperature	-40° – 50° C (-40° – 122° F) Operating -20° – 50° C (-4° – 122° F) Startup -40° – 80° C (-40° – 176° F) Storage					
Humidity	0 – 95%, non-condensing					
Vibration Resistance	Complies with ANSI C136.31					
Luminaire Run Lengths	To calculate fixture run lengths and total power consumption for your specific installation, download the Configuration Calculator from <a href="http://www.philipscolorkinetics.com/support/install_tool/">www.philipscolorkinetics.com/support/install_tool/</a>					
Certification	UL / cUL, FCC Class A, CE, PSE, C-Tick,					
Environment	Dry / Damp / Wet Location, IP66					

**eW Graze QLX Powercore**

Technical parameters						
Product		eW Graze QLX Powercore				
CCT	Beam Angle	Lumens				Efficacy (lm / W)
		305 mm (1 ft)	610 mm (2 ft)	914 mm (3 ft)	1219 mm (4 ft)	
2700 K	9° x 9°	468	936	1,404	1,872	49.8
	10° x 60°	475	950	1,425	1,900	50.4
	15° x 30°	470	940	1,410	1,880	49.4
	30° x 60°	470	940	1,410	1,880	49.7
	60° x 30°	480	960	1,440	1,920	50.4
3000 K	9° x 9°	472	944	1,416	1,888	50.1
	10° x 60°	453	906	1,359	1,812	48.1
	15° x 30°	465	930	1,395	1,860	48.8
	30° x 60°	456	912	1,368	1,824	48.0
	60° x 30°	455	910	1,365	1,820	48.2
3500 K	9° x 9°	584	1,168	1,752	2,336	61.9
	10° x 60°	489	978	1,467	1,956	51.1
	15° x 30°	492	984	1,476	1,968	51.7
	30° x 60°	481	962	1,443	1,924	50.9
	60° x 30°	478	956	1,434	1,912	50.6
4000 K	9° x 9°	595	1,190	1,785	2,380	63.1
	10° x 60°	583	1,166	1,749	2,332	61.8
	15° x 30°	581	1,162	1,743	2,324	61.4
	30° x 60°	579	1,158	1,737	2,316	61.2
	60° x 30°	580	1,160	1,740	2,320	61.3
Color Temperature	2700 K/3000 K/3500 K/4000 K/5500 K					
CRI	81					
Input Voltage	100 – 277 VAC, auto-ranging, 50 / 60 Hz					
Power Consumption	305 mm (1 ft) : 10 W max. at full output, steady state 610 mm (2 ft) : 20 W max. at full output, steady state 914 mm (3 ft) : 30 W max. at full output, steady state 1219 mm (4 ft) : 40 W max. at full output, steady state					
Lumen Maintenance	60,000 hrs L70 @ 25°C 60,000 hrs L70 @ 50°C 60,000 hrs L50 @ 25°C 60,000 hrs L50 @ 50°C					
Dimming	Compatible with selected commercially available reverse-phase ELV-type dimmers					
Dimensions (Height x Width x Depth)	305 mm (1 ft) : 69 x 305 x 71 mm (2.7 x 12 x 2.8 in) 610 mm (2 ft) : 69 x 610 x 71 mm (2.7 x 24 x 2.8 in) 914 mm (3 ft) : 69 x 914 x 71 mm (2.7 x 36 x 2.8 in) 1219 mm (4 ft) : 69 x 1219 x 71 mm (2.7 x 48 x 2.8 in)					
Weight	305 mm (1 ft) : 2.1 lb (1.0 kg) 610 mm (2 ft) : 4.6 lb (2.1 kg) 914 mm (3 ft) : 7.1 lb (3.2 kg) 1219 mm (4 ft) : 9.3 lb (4.2 kg)					
Housing	Extruded anodized aluminum					
Lens	Clear polycarbonate lens					
Luminaire Connectors	Integral male / female waterproof connectors					
Mounting	Multi-positional, constant torque locking hinges					
Temperature	-40° – 50° C (-40° – 122° F) Operating -20° – 50° C (-4° – 122° F) Startup -40° – 80° C (-40° – 176° F) Storage					
Humidity	0 – 95%, non-condensing					
Vibration Resistance	Complies with ANSI C136.31					
Luminaire Run Lengths	To calculate fixture run lengths and total power consumption for your specific installation, download the Configuration Calculator from <a href="http://www.philipscolorkinetics.com/support/install_tool/">www.philipscolorkinetics.com/support/install_tool/</a>					
Certification	UL / cUL, FCC Class A, CE, PSE, C-Tick					
Environment	Dry / Damp / Wet Location, IP66					

**eW Graze QLX Powercore 5W**

Technical parameters						
Product		eW Graze QLX Powercore 5W				
CCT	Beam Angle	Lumens				Efficacy (lm / W)
		305 mm (1 ft)	610 mm (2 ft)	914 mm (3 ft)	1219 mm (4 ft)	
2700 K	9° x 9°	226	452	678	904	54.3
	10° x 60°	221	442	663	884	49.6
	15° x 30°	238	476	714	952	52.7
	30° x 60°	213	426	639	852	50.9
	60° x 30°	219	438	657	876	53.3
3000 K	9° x 9°	232	464	696	928	56.4
	10° x 60°	219	438	657	876	50.4
	15° x 30°	219	438	657	876	53.4
	30° x 60°	214	428	642	856	51.7
	60° x 30°	215	430	645	860	52.2
3500 K	9° x 9°	251	502	753	1,004	60.4
	10° x 60°	229	458	687	916	55.7
	15° x 30°	222	444	666	888	53.8
	30° x 60°	221	442	663	884	53.7
	60° x 30°	218	436	654	872	52.9
4000 K	9° x 9°	269	538	807	1,076	66.1
	10° x 60°	261	522	783	1,044	64.5
	15° x 30°	267	534	801	1,068	65.5
	30° x 60°	258	516	774	1,032	63.6
	60° x 30°	263	526	789	1,052	64.7
Color Temperature	2700 K/3000 K/3500 K/4000 K/5500 K					
CRI	82					
Input Voltage	100 – 277 VAC, auto-ranging, 50 / 60 Hz					
Power Consumption	305 mm (1 ft) : 5 W max. at full output, steady state 610 mm (2 ft) : 10 W max. at full output, steady state 914 mm (3 ft) : 15 W max. at full output, steady state 1219 mm (4 ft) : 20 W max. at full output, steady state					
Lumen Maintenance	60,000 hrs L70 @ 25°C 60,000 hrs L70 @ 50°C 60,000 hrs L50 @ 25°C 60,000 hrs L50 @ 50°C					
Dimming	Compatible with selected commercially available reverse-phase ELV-type dimmers					
Dimensions (Height x Width x Depth)	305 mm (1 ft) : 69 x 305 x 71 mm (2.7 x 12 x 2.8 in) 610 mm (2 ft) : 69 x 610 x 71 mm (2.7 x 24 x 2.8 in) 914 mm (3 ft) : 69 x 914 x 71 mm (2.7 x 36 x 2.8 in) 1219 mm (4 ft) : 69 x 1219 x 71 mm (2.7 x 48 x 2.8 in)					
Weight	305 mm (1 ft) : 2.1 lb (1.0 kg) 610 mm (2 ft) : 4.6 lb (2.1 kg) 914 mm (3 ft) : 7.1 lb (3.2 kg) 1219 mm (4 ft) : 9.3 lb (4.2 kg)					
Housing	Extruded anodized aluminum					
Lens	Clear polycarbonate lens					
Luminaire Connectors	Integral male / female waterproof connectors					
Mounting	Multi-positional, constant torque locking hinges					
Temperature	-40° – 50° C (-40° – 122° F) Operating -20° – 50° C (-4° – 122° F) Startup -40° – 80° C (-40° – 176° F) Storage					
Humidity	0 – 95%, non-condensing					
Vibration Resistance	Complies with ANSI C136.31					
Luminaire Run Lengths	To calculate fixture run lengths and total power consumption for your specific installation, download the Configuration Calculator from <a href="http://www.philipscolorkinetics.com/support/install_tool/">www.philipscolorkinetics.com/support/install_tool/</a>					
Certification	UL / cUL, FCC Class A, CE, PSE, C-Tick					
Environment	Dry / Damp / Wet Location, IP66					

**eW Graze EC Powercore**

Technical parameters						
Product		eW Graze EC Powercore				
Lumens	CCT	Beam Angle	305 mm (1 ft)	610 mm (2 ft)	914 mm (3 ft)	1219 mm (4 ft)
			2700 K	234	468	702
3000 K	178	356	534	712		
3500 K	259	518	777	1036		
4000 K	246	492	738	984		
Beam Angle	90° x 90°					
Efficacy (lm / W)	44.3 (2700 K) 43.2 (3000 K) 61.2 (3500 K) 45.9 (4000 K)					
Color Temperature	2700 K/3000 K/3500 K/4000 K/5500 K					
CRI	80 (2700 K) 87 (4000 K)					
Input Voltage	100 – 277 VAC, auto-ranging, 50 / 60 Hz					
Power Consumption	305 mm (1 ft) : 5 W max. at full output, steady state 610 mm (2 ft) : 10 W max. at full output, steady state 914 mm (3 ft) : 15 W max. at full output, steady state 1219 mm (4 ft) : 20 W max. at full output, steady state					
Lumen Maintenance	36,000 hrs L70 @ 25°C 36,000 hrs L70 @ 50°C 36,000 hrs L50 @ 25°C 36,000 hrs L50 @ 50°C					
Dimming	Compatible with selected commercially available reverse-phase ELV-type dimmers					
Dimensions (Height x Width x Depth)	305 mm (1 ft) : 69 x 305 x 71 mm (2.7 x 12 x 2.8 in) 610 mm (2 ft) : 69 x 610 x 71 mm (2.7 x 24 x 2.8 in) 914 mm (3 ft) : 69 x 914 x 71 mm (2.7 x 36 x 2.8 in) 1219 mm (4 ft) : 69 x 1219 x 71 mm (2.7 x 48 x 2.8 in)					
Weight	305 mm (1 ft) : 2.1 lb (1.0 kg) 610 mm (2 ft) : 4.6 lb (2.1 kg) 914 mm (3 ft) : 7.1 lb (3.2 kg) 1219 mm (4 ft) : 9.3 lb (4.2 kg)					
Housing	Extruded anodized aluminum					
Lens	Frosted polycarbonate lens					
Luminaire Connectors	Integral male / female waterproof connectors					
Mounting	Multi-positional, constant torque locking hinges					
Temperature	-40° – 50° C (-40° – 122° F) Operating -20° – 50° C (-4° – 122° F) Startup -40° – 80° C (-40° – 176° F) Storage					
Humidity	0 – 95%, non-condensing					
Vibration Resistance	Complies with ANSI C136.31					
Luminaire Run Lengths	To calculate fixture run lengths and total power consumption for your specific installation, download the Configuration Calculator from <a href="http://www.philipscolorkinetics.com/support/install_tool/">www.philipscolorkinetics.com/support/install_tool/</a>					
Certification	UL / cUL, FCC Class A, CE, PSE, C-Tick					
Environment	Dry / Damp / Wet Location, IP66					





**DIMAND™** | **OPTIBIN™** | **POWERCORE™**  
CK TECHNOLOGY | CK TECHNOLOGY | CK TECHNOLOGY



# eW Fuse Powercore

Linear interior LED wall grazing fixture with solid white light

With narrow and medium beams of intense white light, eW Fuse Powercore is an excellent choice for a full range of surface grazing and wall-washing applications. Its ultra-compact form factor permits installation in tight spaces too small to accommodate conventional grazing fixtures with similar light output. eW Fuse Powercore meets or exceeds the performance of comparable linear fluorescent grazing fixtures while lowering installation, energy, and maintenance costs. Fixtures offer environmentally-conscious buyers a green, energy-efficient grazing fixture with industry-leading quality and quantity of light.

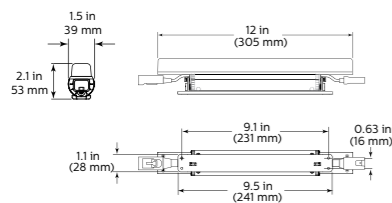
### Features and Benefits

- Lower cost than comparable fluorescent grazing fixtures
- High-performance illumination and beam quality
- Multiple levels of power consumption
- Multiple color temperatures
- Integrates patented Powercore technology
- Support for multiple voltages
- Dimming capability
- Simple installation
- Easy mounting and positioning

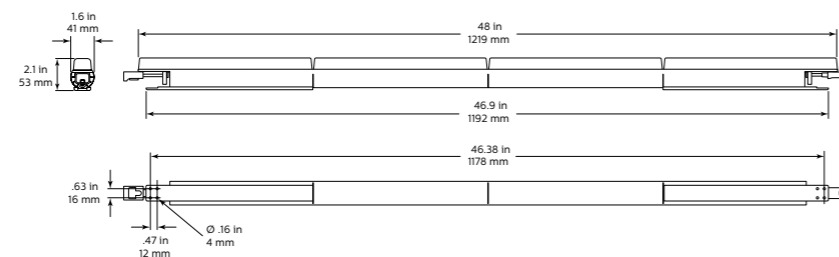
### Product size

All dimensions in millimeters

1 ft (305 mm), 12.5 W / ft  
1 ft (305 mm), 8 W / ft



4 ft (1.2 m), 12.5 W / ft  
4 ft (1.2 m), 8 W / ft



IP20 90Khrs

eW Fuse Powercore: 1 ft (305 mm), 12.5 W / ft

Technical parameters					
Product	eW Fuse Powercore 1 ft (305 mm), 12.5 W / ft				
	<b>Color Temperature</b>	<b>Beam Angle</b>	<b>Lumens</b>	<b>Efficacy (lm / W)</b>	<b>CRI</b>
	2700 K	10° x 60°	553	45.7	83
		30° x 60°	573	47.0	82
	3000 K	10° x 60°	594	50.3	82
		30° x 60°	587	47.7	82
	3500 K	10° x 60°	657	54.3	83
		30° x 60°	627	52.3	83
	4000 K	10° x 60°	697	58.1	84
		30° x 60°	677	57.9	84
Lumen Maintenance	50,000 hours L70 @ 25° C 37,000 hours L70 @ 50° C 90,000 hours L50 @ 25° C 80,000 hours L50 @ 50° C				
Input Voltage	100 – 277 VAC, auto-switching, 50 / 60 Hz				
Power Consumption	12.5 W maximum at full output, steady state				
Power Factor	0.99 @ 120 V				
Dimming	Compatible with selected commercially available reverse-phase ELV-type dimmers				
Dimensions (Height x Width x Depth)	2.1 x 12 x 1.5 in (53 x 305 x 38 mm)				
Weight	0.98 lb (445 g)				
Housing	Die-cast aluminium, white powder-coated finish.				
Lens	Polycarbonate				
Fixture Connections	Integral male / female connectors				
Temperature Ranges	-40° – 122° F (-40° – 50° C) Operating -4° – 122° F (-20° – 50° C) Startup -40° – 176° F (-40° – 80° C) Storage				
Humidity	0 – 95%, non-condensing				
Fixture Run Lengths	To calculate fixture run lengths and total power consumption for your specific installation, download the Configuration Calculator from <a href="http://www.philipscolorkinetics.com/support/install_tool/">www.philipscolorkinetics.com/support/install_tool/</a>				
Certification	UL / cUL, FCC Class B, CE, C-Tick, CCC				
Environment	Dry / Damp Location, IP20				

**eW Fuse Powercore: 4 ft (1.2 m), 12.5 W / ft**

Technical parameters					
Product	eW Fuse Powercore 4 ft (1.2 m), 12.5 W / ft				
	<b>Color Temperature</b>	<b>Beam Angle</b>	<b>Lumens</b>	<b>Efficacy (lm / W)</b>	<b>CRI</b>
2700 K	10° x 60°	2290	48.2	80	
	30° x 60°	2144	45.9	81	
3000 K	10° x 60°	2431	51.5	82	
	30° x 60°	2378	49.9	82	
3500 K	10° x 60°	2624	55.4	84	
	30° x 60°	2580	54.5	84	
4000 K	10° x 60°	2810	60.2	83	
	30° x 60°	2788	59.2	83	
Lumen Maintenance	50,000 hours L70 @ 25° C 37,000 hours L70 @ 50° C 90,000 hours L50 @ 25° C 80,000 hours L50 @ 50° C				
Input Voltage	100 – 277 VAC, auto-switching, 50 / 60 Hz				
Power Consumption	50 W maximum at full output, steady state				
Power Factor	0.93 @ 120 V				
Dimming	Compatible with selected commercially available reverse-phase ELV-type dimmers				
Dimensions (Height x Width x Depth)	2.1 x 48 x 1.6 in (53 x 1219 x 41 mm)				
Weight	4.37 lb (1.98 kg)				
Housing	Die-cast aluminium, white powder-coated finish.				
Lens	Polycarbonate				
Fixture Connections	Integral male / female connectors				
Temperature Ranges	-40° – 122° F (-40° – 50° C) Operating -4° – 122° F (-20° – 50° C) Startup -40° – 176° F (-40° – 80° C) Storage				
Humidity	0 – 95%, non-condensing				
Fixture Run Lengths	To calculate fixture run lengths and total power consumption for your specific installation, download the Configuration Calculator from <a href="http://www.philipscolorkinetics.com/support/install_tool/">www.philipscolorkinetics.com/support/install_tool/</a>				
Certification	UL / cUL, FCC Class B, CE, C-Tick, CCC				
Environment	Dry / Damp Location, IP20				

**eW Fuse Powercore: 1 ft (305 mm), 8 W / ft**

Technical parameters					
Product	eW Fuse Powercore 1 ft (305 mm), 8 W / ft				
	<b>Color Temperature</b>	<b>Beam Angle</b>	<b>Lumens</b>	<b>Efficacy (lm / W)</b>	<b>CRI</b>
2700 K	10° x 60°	442	57.1	82	
	30° x 60°	443	57.3	82	
3000 K	10° x 60°	471	61.6	83	
	30° x 60°	473	62.4	83	
3500 K	10° x 60°	486	63.8	83	
	30° x 60°	468	62.1	84	
4000 K	10° x 60°	539	69.3	82	
	30° x 60°	537	69.7	82	
Lumen Maintenance	65,000 hours L70 @ 25° C 65,000 hours L70 @ 50° C 65,000 hours L50 @ 25° C 65,000 hours L50 @ 50° C				
Input Voltage	100 – 277 VAC, auto-switching, 50 / 60 Hz				
Power Consumption	8 W maximum at full output, steady state				
Power Factor	≥ 0.982 @ 120 V				
Dimming	Compatible with selected commercially available reverse-phase ELV-type dimmers				
Dimensions (Height x Width x Depth)	2.1 x 12 x 1.5 in (53 x 305 x 38 mm)				
Weight	0.98 lb (445 g)				
Housing	Die-cast aluminium, white powder-coated finish.				
Lens	Polycarbonate				
Fixture Connections	Integral male / female connectors				
Temperature Ranges	-40° – 122° F (-40° – 50° C) Operating -4° – 122° F (-20° – 50° C) Startup -40° – 176° F (-40° – 80° C) Storage				
Humidity	0 – 95%, non-condensing				
Fixture Run Lengths	To calculate fixture run lengths and total power consumption for your specific installation, download the Configuration Calculator from <a href="http://www.philipscolorkinetics.com/support/install_tool/">www.philipscolorkinetics.com/support/install_tool/</a>				
Certification	UL / cUL, FCC Class B, CE, C-Tick, CCC				
Environment	Dry / Damp Location, IP20				

**eW Fuse Powercore: 4 ft (1.2 m), 8 W / ft**

Technical parameters					
Product	eW Fuse Powercore 4 ft (1.2 m), 8 W / ft				
	<b>Color Temperature</b>	<b>Beam Angle</b>	<b>Lumens</b>	<b>Efficacy (lm / W)</b>	<b>CRI</b>
2700 K	10° x 60°	1796	57.9	82	
	30° x 60°	1810	58.8	83	
3000 K	10° x 60°	1922	62.2	83	
	30° x 60°	1936	63.1	84	
3500 K	10° x 60°	1987	64.1	83	
	30° x 60°	1966	64.2	83	
4000 K	10° x 60°	2160	69.9	82	
	30° x 60°	2217	70.8	83	
Lumen Maintenance	65,000 hours L70 @ 25° C 65,000 hours L70 @ 50° C 65,000 hours L50 @ 25° C 65,000 hours L50 @ 50° C				
Input Voltage	100 – 277 VAC, auto-switching, 50 / 60 Hz				
Power Consumption	32 W maximum at full output, steady state				
Power Factor	≥ 0.982 @ 120 V				
Dimming	Compatible with selected commercially available reverse-phase ELV-type dimmers				
Dimensions (Height x Width x Depth)	2.1 x 48 x 1.6 in (53 x 1219 x 41 mm)				
Weight	4.37 lb (1.98 kg)				
Housing	Die-cast aluminium, white powder-coated finish.				
Lens	Polycarbonate				
Fixture Connections	Integral male / female connectors				
Temperature Ranges	-40° – 122° F (-40° – 50° C) Operating -4° – 122° F (-20° – 50° C) Startup -40° – 176° F (-40° – 80° C) Storage				
Humidity	0 – 95%, non-condensing				
Fixture Run Lengths	To calculate fixture run lengths and total power consumption for your specific installation, download the Configuration Calculator from <a href="http://www.philipscolorkinetics.com/support/install_tool/">www.philipscolorkinetics.com/support/install_tool/</a>				
Certification	UL / cUL, FCC Class B, CE, C-Tick, CCC				
Environment	Dry / Damp Location, IP20				





OPTIBIN<sup>®</sup> | POWERCORE<sup>®</sup>  
CK TECHNOLOGY | CK TECHNOLOGY



# eW Blast Powercore gen4

Customizable exterior LED wash fixture with solid white light

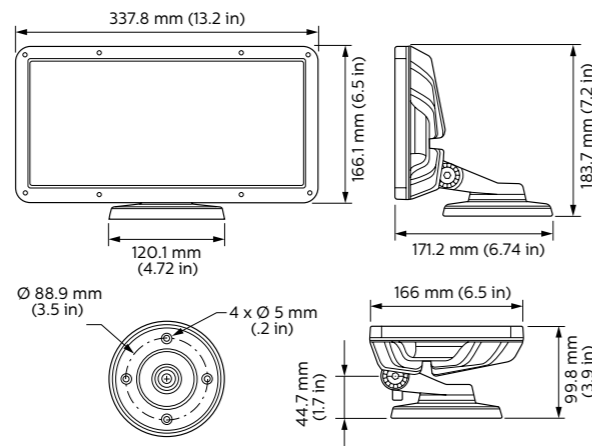
eW Blast Powercore gen4 high-performance LED luminaires provide a high-intensity wash of white light with simplified installation. eW Blast Powercore gen4 offers a range of accessories that allow for customizable beam angles for floodlighting, spotlighting, wall washing, and grazing, along with the efficiency and cost effectiveness of Powercore technology in a rugged die-cast aluminium housing.

### Features and Benefits

- Expands customization with a wide range of new Philips accessory options
- Meets ASTM B117 standard for > 1,500 hours of corrosion resistance and ANSI C136.31-2010 standard with a 3G vibration rating
- Improves durability
- Integrates patented Powercore technology that controls power output to luminaires directly from line voltage
- The Philips Color Kinetics Data Enabler Pro merges line voltage with control data and delivers them to luminaires over a single standard cable
- Universal power input range of 100 – 277 VAC
- Precision Dimming
- Works seamlessly with the Philips Color Kinetics full range of controllers

### Product size

All dimensions in millimeters



### Technical parameters

Product	eW Blast Powercore gen4							
Beam Angle	6° primary optic (no diffuser) Optional diffusers: 20°/40°/60°/80°/10° x 40° (asymmetric)							
Lumens	Color Temperature	6°	20°	40°	60°	80°	10° x 40°	
		3000 K	3,213	2,747	2,728	2,723	2,701	2,917
Efficacy (lm / W)		4000 K	3,189	2,726	2,707	2,713	2,687	2,894
		3000 K	67.4	57.6	57.2	57.1	56.6	61.2
Effective Projected Area (EPA)		4000 K	65.8	56.2	55.8	55.9	55.4	59.7
		0.068 m <sup>2</sup>						
Lumen Maintenance	28,000 hrs L90 @ 25° C 27,000 hours L90 @ 50° C 84,000 hours L70 @ 25° C 83,000 hours L70 @ 50° C >100,000 hours L50 @ 25° C >100,000 hours L50 @ 50° C							
Input Voltage	100 – 277 VAC, auto-switching, 50/60 Hz via Data Enabler Pro							
Power Consumption	50 W maximum at full output, steady state							
Power Factor	0.9 @ 120 VAC, 0.85 @ 277 VAC							
Dimming	Compatible with selected commercially available reverse-phase ELV-type dimmers							
Control	On/Off or Precision Dimming by 4 conductor cable & DE Pro							
Dimensions (Height x Width x Depth)	185 x 338 x 171 mm (7.3 x 13.3 x 6.75 in)							
Weight	3.9 kg (8.2 lb)							
Housing	Die-cast aluminium, white, black, or gray powder-coated finish							
Lens	Clear tempered glass							
Fixture Connections	1.8 m (6 ft) combined power data whip							
Temperature Ranges	-40° – 50° C (-40° – 122° F) Operating -20° – 50° C (-4° – 122° F) Startup -40° – 80° C (-40° – 176° F) Storage							
Fixture Run Lengths	To calculate fixture run lengths and total power consumption for your specific installation, download the Configuration Calculator from <a href="http://www.philipscolorkinetics.com/support/install_tool/">www.philipscolorkinetics.com/support/install_tool/</a>							
Humidity	0 – 95%, non-condensing							
Certification	UL/cUL, FCC Class B, CE, PSE, CQC, RCM, EAC, UA							
Environment	Dry / Damp / Wet Location, IP66							
Corrosion Resistance	ASTM B117 > 1,500 hours							
Vibration Resistance	ANSI C136.31-2010 3G							
Mechanical Impact	IK10							



OPTIBIN<sup>®</sup> | POWERCORE<sup>®</sup>  
CK TECHNOLOGY | CK TECHNOLOGY



# eW Reach Powercore gen2

Premium long-throw exterior LED floodlight with solid white light

eW Reach Powercore gen2 high-performance LED fixtures are premium exterior long-throw dynamic high-quality white luminaires for lighting tall buildings, bridges, and iconic structures. eW Reach Powercore gen2 outputs washes of white light in color temperatures ranging from a warm 2700 K to a cool 6500 K. A full range of accessories allow for customizable beam angles for floodlighting, spotlighting, wall washing, and grazing, along with the efficiency and cost-effectiveness of Powercore technology in a rugged die-cast aluminum housing.

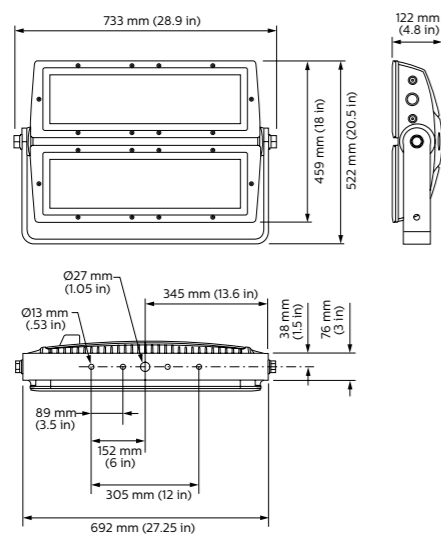
## Features and Benefits

- Multiple options for design flexibility
- Superior color consistency and accuracy
- Dimming control via DMX
- Expanded customization with a wide range of new Philips accessory options
- Unparalleled light output
- Integrates patented Powercore technology that controls power output to fixtures directly from line voltage
- Simple fixture positioning
- Universal power input range of 100 – 277 VAC

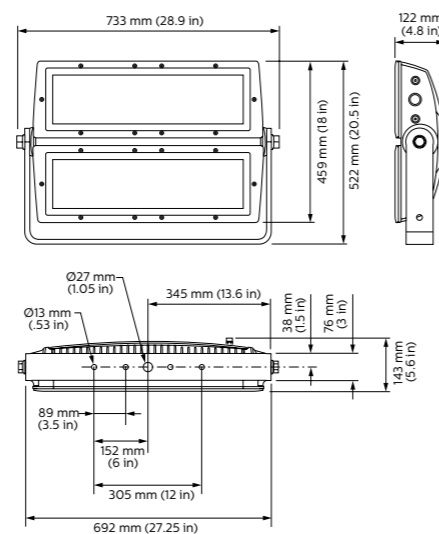
## Product size

All dimensions in millimeters

UL/CE



CQC



IP66

100Khrs

## Technical parameters

Product	eW Reach Powercore gen2
Item	UL / CE, CQC
Type	2700 K, 4000 K
Beam Angle	5° primary optic (no spread lens) 8°/13°/23°/43°/63°/5° x 17° (asymmetric) spread lenses
Lumens	<b>2700 K</b> : 13,485 (no spread lens, full unit) <b>4000 K</b> : 14,646 (no spread lens, full unit)
Efficacy (lm / W)	<b>2700 K</b> : 56.7 (no spread lens, full unit) <b>4000 K</b> : 60.9 (no spread lens, full unit)
CRI	<b>2700 K</b> : 79.8 (no spread lens, full unit) <b>4000 K</b> : 79.5 (no spread lens, full unit)
Input Voltage	<b>UL / CE</b> : 100 – 277 VAC, auto-switching, 50 / 60 Hz <b>CQC</b> : 100 – 240 VAC, auto-switching, 50 / 60 Hz
Power Consumption	250 W maximum at full output, steady state
Lumen Maintenance	84,100 hrs L90 @ 25°C 48,300 hrs L90 @ 50°C >100,000 hrs L80 @ 25°C >100,000 hrs L80 @ 50°C >100,000 hrs L70 @ 25°C >100,000 hrs L70 @ 50°C
Power Factor	.989 @ 120 VAC
Control	On / Off, digital dimming by 4 connector cable & DE Pro
Dimensions (Height x Width x Depth)	522 x 733 x 122 mm (20.5 x 28.9 x 4.8 in)
Weight	34 kg (75 lb)
Effective Projected Area (EPA)	0.42 m <sup>2</sup>
Housing	Die-cast aluminium, powder-coated finish
Mechanical Impact	IK07
Lens	Tempered glass
Fixture Connections	<b>UL / CE</b> : Integral male / female waterproof connector <b>CQC</b> : Integral male/female waterproof connector, 1.8 m (6 ft) Leader Cable
Temperature Ranges	-40° – 50° C (-40° – 122° F) Operating -20° – 50° C (-4° – 122° F) Startup -40° – 80° C (-40° – 176° F) Storage
Humidity	0 – 95%, non-condensing
Fixture Run Lengths	To calculate fixture run lengths and total power consumption for your specific installation, download the Configuration Calculator from <a href="http://www.philipscolorkinetics.com/support/install_tool/">www.philipscolorkinetics.com/support/install_tool/</a>
Certification	<b>UL / CE</b> : UL / cUL, FCC Class A, CE, PSE <b>CQC</b> : FCC Class A, CE, PSE, CQC
Environment	Dry / Damp / Wet Location, IP66



OPTIBIN<sup>®</sup> | POWERCORE<sup>®</sup>  
CK TECHNOLOGY | CK TECHNOLOGY



# eW Reach Compact Powercore

Premium long-throw exterior LED floodlight with solid white light

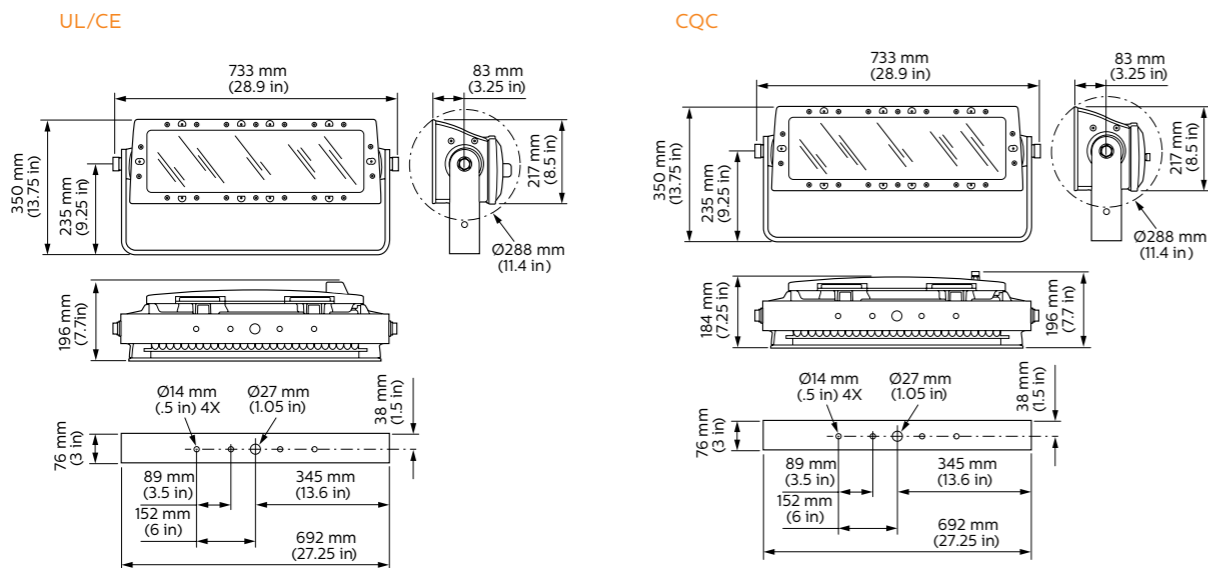
eW Reach Compact Powercore high-performance LED fixtures are premium exterior long-throw dynamic high-quality white luminaires for lighting tall buildings, bridges, and iconic structures. eW Reach Compact Powercore outputs washes of white light in color temperatures ranging from a warm 2700 K to a cool 6500 K. A full range of accessories allow for customizable beam angles for floodlighting, spotlighting, wall washing, and grazing, along with the efficiency and cost-effectiveness of Powercore technology in a rugged die-cast aluminium housing.

### Features and Benefits

- Multiple options for design flexibility
- Superior color consistency and accuracy
- Dimming control via DMX
- Expanded customization with a wide range of new Philips accessory options
- Unparalleled light output
- Integrates patented Powercore technology that controls power output to fixtures directly from line voltage
- Simple fixture positioning
- Universal power input range of 100 – 277 VAC

### Product size

All dimensions in millimeters



IP66 100Khrs

### Technical parameters

Product	eW Reach Compact Powercore
Item	UL / CE, CQC
Type	2700 K, 4000 K
Beam Angle	5° primary optic (no spread lens) 8°/13°/23°/43°/63°/5° x 17° (asymmetric) spread lenses
Lumens	<b>2700 K</b> : 6,562 (no spread lens) <b>4000 K</b> : 7,441 (no spread lens)
Efficacy (lm / W)	<b>2700 K</b> : 55.8 (no spread lens) <b>4000 K</b> : 59.8 (no spread lens)
CRI	<b>2700 K</b> : 79.6 (no spread lens) <b>4000 K</b> : 79 (no spread lens)
Input Voltage	<b>UL / CE</b> : 100 – 277 VAC, auto-switching, 50 / 60 Hz <b>CQC</b> : 100 – 240 VAC, auto-switching, 50 / 60 Hz
Power Consumption	130 W maximum at full output, steady state
Power Factor	.989 @ 120 VAC
Lumen Maintenance	84,100 hrs L90 @ 25°C 48,300 hrs L90 @ 50°C >100,000 hrs L80 @ 25°C >100,000 hrs L80 @ 50°C >100,000 hrs L70 @ 25°C >100,000 hrs L70 @ 50°C
Control	On / Off, digital dimming by 4 connector cable & DE Pro
Dimensions (Height x Width x Depth)	350 x 733 x 196 mm (13.8 x 28.9 x 7.7 in)
Weight	23 kg (51 lb)
Effective Projected Area (EPA)	0.186 m <sup>2</sup>
Housing	Die-cast aluminium, powder-coated finish
Mechanical Impact	IK07
Lens	Tempered glass
Fixture Connections	<b>UL / CE</b> : Integral male / female waterproof connector <b>CQC</b> : Integral male/female waterproof connector, 6 ft (1.8 m) Leader Cable
Temperature Ranges	-40° – 50° C (-40° – 122° F) Operating -20° – 50° C (-4° – 122° F) Startup -40° – 80° C (-40° – 176° F) Storage
Humidity	0 – 95%, non-condensing
Fixture Run Lengths	To calculate fixture run lengths and total power consumption for your specific installation, download the Configuration Calculator from <a href="http://www.philipscolorkinetics.com/support/install_tool/">www.philipscolorkinetics.com/support/install_tool/</a>
Certification	<b>UL / CE</b> : UL / cUL, FCC Class A, CE, PSE <b>CQC</b> : FCC Class A, CE, PSE, CQC
Environment	Dry / Damp / Wet Location, IP66





DIMAND™ | OPTIBIN™  
CK TECHNOLOGY | CK TECHNOLOGY



# eW Burst Powercore

Architectural and landscape LED spotlight with solid white light

eW Burst Powercore is high-output, exterior-rated LED lighting fixture designed for accent and site lighting. Architectural and Landscape versions deliver high-quality white light output in a warm 2700K and a neutral 4000K to support a range of uplighting, floodlighting, and decorative lighting applications.

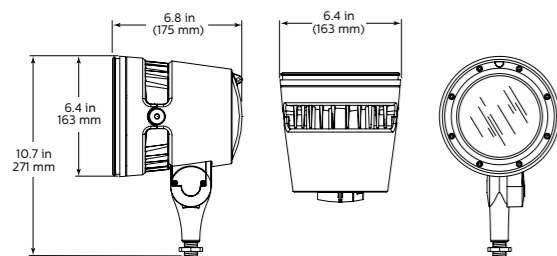
### Features and Benefits

- Integrates patented Powercore technology
- Flexible mounting in architectural applications
- Support for a wide range of landscape applications
- Exchangeable optics and accessories
- Versatile light positioning
- Universal power input range
- Dimming capability
- Outdoor rated

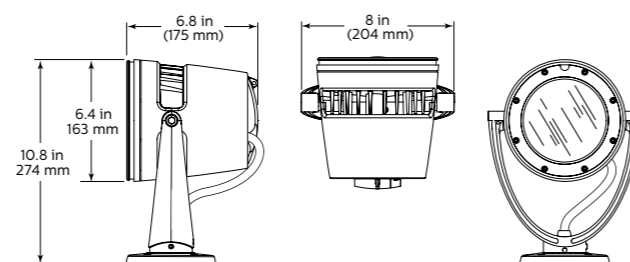
### Product size

All dimensions in millimeters

eW Burst Powercore Landscape



eW Burst Powercore Architectural



IP66 120Khrs

### Technical parameters

Product	eW Burst Powercore					
	<b>Color Temp.</b>	<b>8° primary</b>	<b>14°</b>	<b>23°</b>	<b>41°</b>	<b>10° x 41°</b>
Lumens	2700 K	1168	1022	1004	991	1046
	4000 K	1478	1280	1259	1240	1317
Efficacy (lm / W)	2700 K	39.9	34.9	34.3	33.8	35.9
	4000 K	49.3	42.7	41.9	41.3	44.0
Beam Angle	8° primary optic 14° / 23° / 41° spread lenses 10° x 41° asymmetric spread lens					
CRI	82.6 (2700 K) 80.6 (4000 K)					
Lumen Maintenance	90,000 hours L70 @ 25° C 45,000 hours L70 @ 50° C 120,000 hours L50 @ 25° C 70,000 hours L50 @ 50° C					
Input Voltage	100 – 277 VAC, auto-switching, 50 / 60 Hz					
Power Consumption	30 W maximum at full output, steady state					
Power Factor	0.978 @ 120 V (2700 K) 0.975 @ 120 V (4000 K)					
Dimming	Compatible with selected commercially available reverse-phase ELV-type dimmers					
Dimensions (Height x Width x Depth)	10.8 x 8.0 x 6.8 in (274 x 204 x 175 mm) Architectural 10.7 x 6.4 x 6.8 in (271 x 163 x 175 mm) Landscape					
Weight	11 lb (5 kg) Architectural 7.4 lb (3.4 kg) Landscape					
Housing	Die-cast aluminium, powder-coated finish					
Lens	Tempered glass					
Fixture Connections	6 ft (1.8 m) unified power / data cable with flying leads Architectural 6 in (152 mm) flying leads Landscape					
Temperature Ranges	-40° – 122° F (-40° – 50° C) Operating -4° – 122° F (-20° – 50° C) Startup -40° – 176° F (-40° – 80° C) Storage					
Vibration Resistance	ANSI C136.31 (Architectural only)					
Humidity	0 – 95%, non-condensing					
Certification	UL / cUL, FCC Class A, CE, C-Tick, CQC, SAA					
Environment	Dry / Damp / Wet Location, IP66					



DIMAND™ | OPTIBIN™  
CK TECHNOLOGY | CK TECHNOLOGY



# eW Burst Compact Powercore

Architectural and landscape LED spotlight with solid white light

eW Burst Compact Powercore is high-output, exterior-rated LED lighting fixture designed for accent and site lighting. Architectural and Landscape versions deliver high-quality white light output in a warm 2700K and a neutral 4000K to support a range of uplighting, floodlighting, and decorative lighting applications.

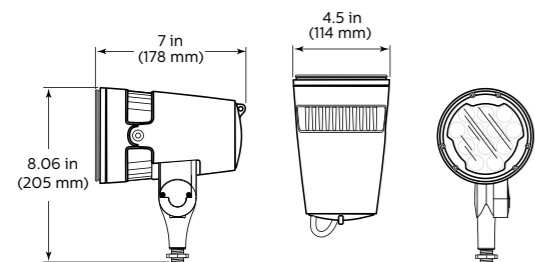
### Features and Benefits

- Integrates patented Powercore technology
- Flexible mounting in architectural applications
- Support for a wide range of landscape applications
- Exchangeable optics and accessories
- Versatile light positioning
- Universal power input range
- Dimming capability
- Outdoor rated

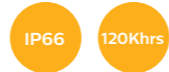
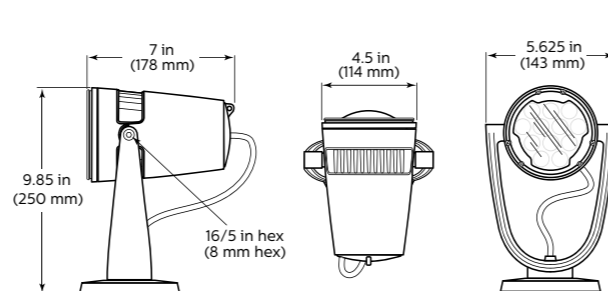
### Product size

All dimensions in millimeters

eW Burst Compact Powercore Landscape



eW Burst Compact Powercore Architectural



Technical parameters						
Product	eW Burst Compact Powercore					
	Color Temp.	8° primary	14°	23°	41°	10° x 41°
Lumens	2700 K	624	543	540	520	557
	4000 K	812	685	674	646	695
Efficacy (lm / W)	2700 K	41.9	36.4	36.2	34.8	37.4
	4000 K	53.8	45.7	44.6	42.8	46.3
Beam Angle	8° primary optic 14° / 23° / 41° spread lenses 10° x 41° asymmetric spread lens					
CRI	83 (2700 K) 81 (4000 K)					
Lumen Maintenance	90,000 hours L70 @ 25° C 50,000 hours L70 @ 50° C 120,000 hours L50 @ 25° C 90,000 hours L50 @ 50° C					
Input Voltage	100 – 277 VAC, auto-switching, 50 / 60 Hz					
Power Consumption	15 W maximum at full output, steady state					
Power Factor	.995 @ 120 VAC (2700 K) .994 @ 120 VAC (4000 K)					
Dimming	Compatible with selected commercially available reverse-phase ELV-type dimmers					
Dimensions (Height x Width x Depth)	9.85 x 4.5 x 7.0 in (250 x 114 x 178 mm) Architectural 8.06 x 4.5 x 7.0 in (205 x 114 x 178 mm) Landscape					
Weight	8.7 lb (3.9 kg) Architectural 4.4 lb (2.0 kg) Landscape					
Housing	Die-cast aluminium, powder-coated finish					
Lens	Tempered glass					
Fixture Connections	6 ft (1.8 m) unified power / data cable with flying leads Architectural 6 in (152 mm) flying leads Landscape					
Temperature Ranges	-40° – 122° F (-40° – 50° C) Operating -4° – 122° F (-20° – 50° C) Startup -40° – 176° F (-40° – 80° C) Storage					
Fixture Run Lengths	To calculate fixture run lengths and total power consumption for your specific installation, download the Configuration Calculator from <a href="http://www.philipscolorkinetics.com/support/install_tool/">www.philipscolorkinetics.com/support/install_tool/</a>					
Vibration Resistance	ANSI C136.31 (Architectural only)					
Humidity	0 – 95%, non-condensing					
Certification	UL / cUL, FCC Class A, CE, C-Tick, CQC, SAA					
Environment	Dry / Damp / Wet Location, IP66					



# eW Cove MX Powercore

Premium interior linear LED cove and accent fixture with solid white light

eW Cove MX Powercore delivers the highest light output in the line of solid white linear cove lights from Philips Color Kinetics. eW Cove MX Powercore can be used for accent lighting and indirect general illumination, as well as the full range of wall and ceiling cove applications. eW Cove MX Powercore meets or exceeds the performance of comparable linear fluorescent strip cove lights while lowering installation, energy, and maintenance costs. eW Cove MX Powercore offers environmentally conscious buyers a green, energy-efficient lighting solution without sacrificing quality or quantity of light.

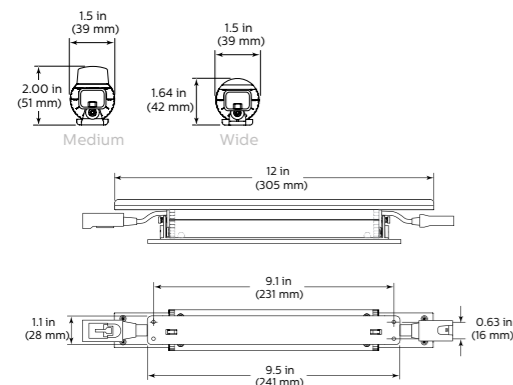
### Features and Benefits

- Lower cost than comparable fluorescent strip lighting
- Two lengths and multiple color temperature options for design and application flexibility
- Multiple levels of power consumption
- Very warm white light
- Integrates patented Powercore technology
- Support for multiple voltages
- Dimming capability
- Industry-best white light quality color consistency
- Simple installation
- Easy mounting and positioning

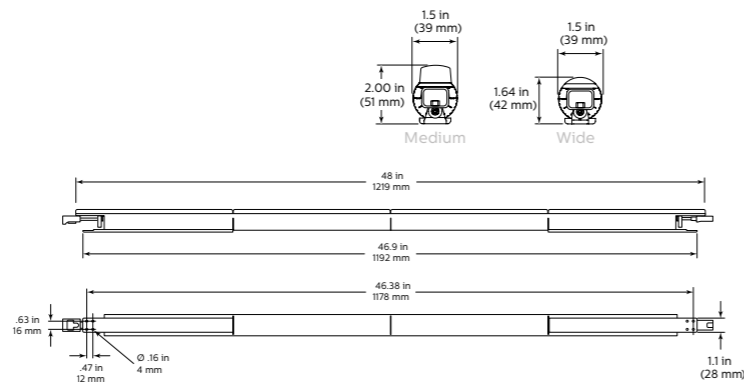
### Product size

All dimensions in millimeters

eW Cove MX Powercore 1 ft (305 mm), 12.5W / ft  
eW Cove MX Powercore 1 ft (305 mm), 8W / ft



eW Cove MX Powercore 4 ft (1.2 m), 12.5W / ft  
eW Cove MX Powercore 4 ft (1.2 m), 8 W / ft



### eW Cove MX Powercore 1 ft (305 mm), 12.5 W / ft

Technical parameters					
Product	eW Cove MX Powercore 1 ft (305 mm), 12.5 W / ft				
	<b>Color Temperature</b>	<b>Beam Angle</b>	<b>Lumens</b>	<b>Efficacy (lm / W)</b>	<b>CRI</b>
	2200 K	125° x 120°	557	47.1	84
	2700 K	125° x 120°	564	48.6	82
		50° x 70°	384	34.9	83
	3000 K	125° x 120°	603	51.1	83
		50° x 70°	446	36.9	83
	3500 K	125° x 120°	653	52.7	83
		50° x 70°	476	40.0	84
	4000 K	125° x 120°	696	58.5	83
		50° x 70°	518	43.5	82
Lumen Maintenance	50,000 hours L70 @ 25° C 37,000 hours L70 @ 50° C 90,000 hours L50 @ 25° C 80,000 hours L50 @ 50° C				
Input Voltage	100 – 277 VAC, auto-ranging, 50 / 60 Hz				
Power Consumption	12.5 W maximum at full output, steady state				
Power Factor	.99 @ 120 VAC				
Power Factor	Compatible with selected commercially available reverse-phase ELV-type dimmers				
Dimensions (Height x Width x Depth)	2 x 12 x 1.5 in (51 x 305 x 38 mm) (medium / very wide beam) 1.64 x 12 x 1.5 in (42 x 305 x 38 mm) (wide beam)				
Weight	0.89 lbs (404 g) (very wide beam) 0.82 lbs (372 g) (wide beam) 1 lb (454 g) (medium beam)				
Housing	Die-cast aluminium, white powder-coated finish				
Lens	Polycarbonate / remote phosphor mix (very wide beam) Polycarbonate (wide beam / medium beam)				
Fixture Connections	Integral male / female connectors				
Temperature Ranges	-4° – 122° F (-20° – 50° C) Operating -4° – 122° F (-20° – 50° C) Startup -40° – 176° F (-40° – 80° C) Storage				
Humidity	0 – 95%, non-condensing				
Fixture Run Lengths	To calculate fixture run lengths and total power consumption for your specific installation, download the Configuration Calculator from <a href="http://www.philipscolorkinetics.com/support/install_tool/">www.philipscolorkinetics.com/support/install_tool/</a>				
Certification	UL / cUL, FCC Class B, CE, CCC, SAA, C-Tick				
Environment	Dry / Damp Location, IP20				
Energy Efficiency	California Title 24 Compliant (wide beam angle only)				

## eW Cove MX Powercore 4 ft (1.2 m), 12.5 W / ft

Technical parameters					
Product	eW Cove MX Powercore 4 ft (1.2 m), 12.5 W / ft				
	Color Temperature	Beam Angle	Lumens	Efficacy (lm / W)	CRI
	2200 K	125° x 120°	2281	50.4	84
	2700 K	125° x 120°	2303	49.3	80
		50° x 70°	1514	32.3	81
	3000 K	125° x 120°	2517	52.7	82
		50° x 70°	1617	34.1	83
	3500 K	125° x 120°	2721	57.6	84
		50° x 70°	1826	38.9	84
	4000 K	125° x 120°	2809	59.4	83
		50° x 70°	1921	40.4	83
Lumen Maintenance	50,000 hours L70 @ 25° C 37,000 hours L70 @ 50° C 90,000 hours L50 @ 25° C 80,000 hours L50 @ 50° C				
Input Voltage	100 – 277 VAC, auto-ranging, 50 / 60 Hz				
Power Consumption	50 W maximum at full output, steady state				
Power Factor	.99 @ 120 VAC				
Power Factor	Compatible with selected commercially available reverse-phase ELV-type dimmers				
Dimensions (Height x Width x Depth)	2.0 x 48 x 1.6 in (51 x 1219 x 41 mm) (medium / very wide beam) 1.6 x 48 x 1.6 in (42 x 1219 x 41 mm) (wide beam)				
Weight	4.14 lbs (1.9 kg) (very wide beam) 3.97 lbs (1.8 kg) (wide beam) 4.41 lbs (2.0 kg) (medium beam)				
Housing	Die-cast aluminium, white powder-coated finish				
Lens	Polycarbonate / remote phosphor mix (very wide beam) Polycarbonate (wide beam / medium beam)				
Fixture Connections	Integral male / female connectors				
Temperature Ranges	-4° – 122° F (-20° – 50° C) Operating -4° – 122° F (-20° – 50° C) Startup -40° – 176° F (-40° – 80° C) Storage				
Humidity	0 – 95%, non-condensing				
Fixture Run Lengths	To calculate fixture run lengths and total power consumption for your specific installation, download the Configuration Calculator from <a href="http://www.philipscolorkinetics.com/support/install_tool/">www.philipscolorkinetics.com/support/install_tool/</a>				
Certification	UL / cUL, FCC Class B, CE, CCC, SAA, C-Tick				
Environment	Dry / Damp Location, IP20				

## eW Cove MX Powercore 1 ft (305 mm), 8 W / ft

Technical parameters					
Product	eW Cove MX Powercore 1 ft (305 mm), 8 W / ft				
	Color Temperature	Beam Angle	Lumens	Efficacy (lm / W)	CRI
	2700 K	125° x 120°	441	57.2	82
		50° x 70°	306	39.7	82
	3000 K	125° x 120°	475	63.0	83
		50° x 70°	330	43.6	83
	3500 K	125° x 120°	473	61.4	83
		50° x 70°	341	44.3	82
	4000 K	125° x 120°	525	69.0	82
		50° x 70°	369	47.8	82
Lumen Maintenance	60,000 hours L70 @ 25° C 60,000 hours L50 @ 25° C				
Input Voltage	100 – 277 VAC, auto-ranging, 50 / 60 Hz				
Power Consumption	8 W maximum at full output, steady state				
Power Factor	≥ .983 @ 120 VAC				
Power Factor	Compatible with selected commercially available reverse-phase ELV-type dimmers				
Dimensions (Height x Width x Depth)	1.64 x 12 x 1.5 in (42 x 305 x 38 mm) (wide beam) 2 x 12 x 1.5 in (51 x 305 x 38 mm) (medium beam)				
Weight	0.82 lbs (372 g) (wide beam) 1 lb (454 g) (medium beam)				
Housing	Die-cast aluminium, white powder-coated finish				
Lens	Polycarbonate				
Fixture Connections	Integral male / female connectors				
Temperature Ranges	-4° – 122° F (-20° – 50° C) Operating -4° – 122° F (-20° – 50° C) Startup -40° – 176° F (-40° – 80° C) Storage				
Humidity	0 – 95%, non-condensing				
Fixture Run Lengths	To calculate fixture run lengths and total power consumption for your specific installation, download the Configuration Calculator from <a href="http://www.philipscolorkinetics.com/support/install_tool/">www.philipscolorkinetics.com/support/install_tool/</a>				
Certification	UL / cUL, FCC Class B, CE, CCC, SAA, C-Tick				
Environment	Dry / Damp Location, IP20				

## eW Cove MX Powercore 4 ft (1.2 m), 8 W / ft

Technical parameters					
Product	eW Cove MX Powercore 4 ft (1.2 m), 8 W / ft				
	Color Temperature	Beam Angle	Lumens	Efficacy (lm / W)	CRI
	2700 K	125° x 120°	1846	59.2	83
		50° x 70°	1260	40.8	83
	3000 K	125° x 120°	1958	64.0	84
		50° x 70°	1398	45.0	84
	3500 K	125° x 120°	2011	65.3	84
		50° x 70°	1418	45.4	84
	4000 K	125° x 120°	2169	70.4	83
		50° x 70°	1560	50.3	83
Lumen Maintenance	60,000 hours L70 @ 25° C 60,000 hours L50 @ 25° C				
Input Voltage	100 – 277 VAC, auto-ranging, 50 / 60 Hz				
Power Consumption	32 W maximum at full output, steady state				
Power Factor	≥ .988 @ 120 VAC				
Power Factor	Compatible with selected commercially available reverse-phase ELV-type dimmers				
Dimensions (Height x Width x Depth)	1.6 x 48 x 1.6 in (42 x 1219 x 41 mm) (wide beam) 2.0 x 48 x 1.6 in (51 x 1219 x 41 mm) (medium beam)				
Weight	3.97 lbs (1.8 kg) (wide beam) 4.41 lbs (2.0 kg) (medium beam)				
Housing	Die-cast aluminium, white powder-coated finish				
Lens	Polycarbonate				
Fixture Connections	Integral male / female connectors				
Temperature Ranges	-4° – 122° F (-20° – 50° C) Operating -4° – 122° F (-20° – 50° C) Startup -40° – 176° F (-40° – 80° C) Storage				
Humidity	0 – 95%, non-condensing				
Fixture Run Lengths	To calculate fixture run lengths and total power consumption for your specific installation, download the Configuration Calculator from <a href="http://www.philipscolorkinetics.com/support/install_tool/">www.philipscolorkinetics.com/support/install_tool/</a>				
Certification	UL / cUL, FCC Class B, CE, CCC, SAA, C-Tick				
Environment	Dry / Damp Location, IP20				



**DIMAND™** | **OPTIBIN™** | **POWERCORE™**  
CK TECHNOLOGY | CK TECHNOLOGY | CK TECHNOLOGY



# eW Cove QLX Powercore

Performance interior linear LED cove and accent fixture with solid white light

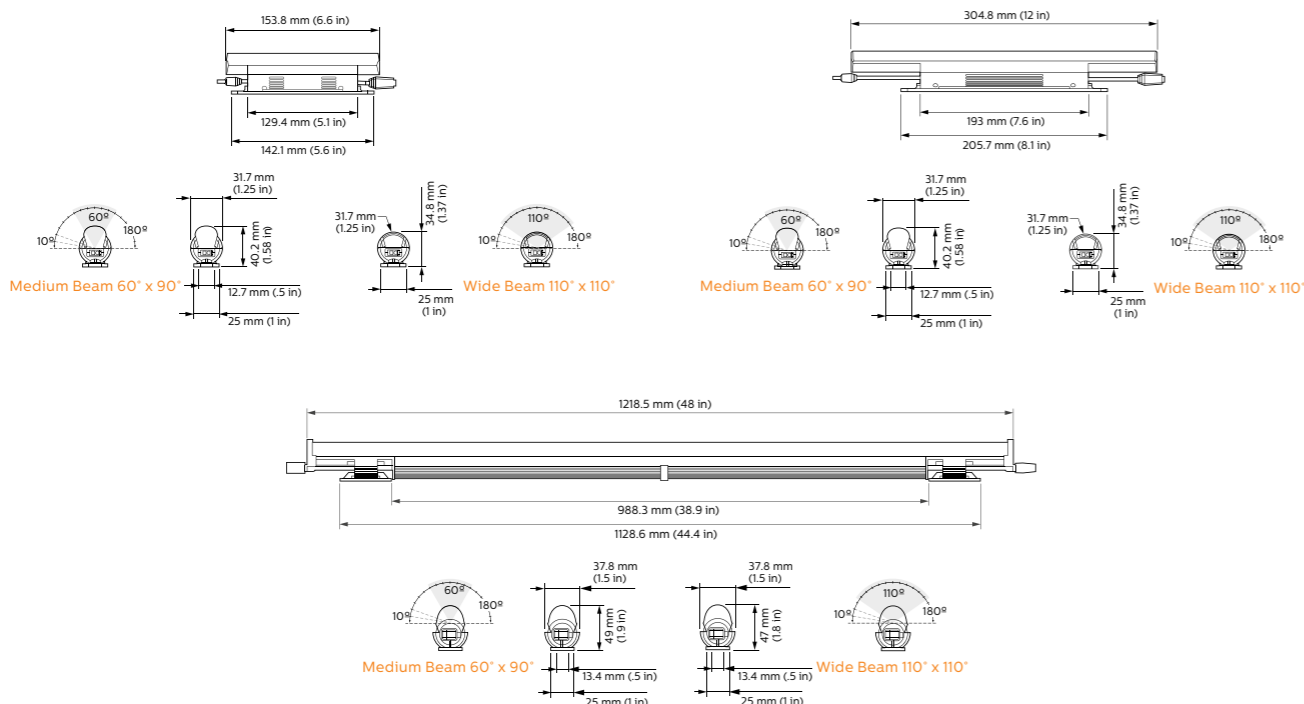
eW Cove QLX Powercore represents the latest in high-quality linear LED cove lighting from Philips Color Kinetics. This elegant, low-profile fixture delivers up to 432 lumens per foot of white light at an affordable price. eW Cove QLX Powercore is designed to replace traditional cove lighting sources for wall and ceiling glow effects, wall washing, and indirect lighting from a single cove. Multiple color temperatures, beam angles, power levels, and lengths afford an abundance of design options.

### Features and Benefits

- Industry-best white-light quality and color consistency
- Uncompromised Performance
- Multiple options for design flexibility
- Support for multiple voltages
- Smooth dimming capability
- Integrates patented Powercore technology
- Easy mounting and positioning
- Replaces traditional cove lighting

### Product size

All dimensions in millimeters



IP20

### eW Cove QLX Powercore, 2700 K, Wide Beam (110° x 110°)

Technical parameters										
Product		eW Cove QLX Powercore, 2700 K, Wide Beam (110° x 110°)								
		152 mm (6 in)			305 mm (12 in)			1220 mm (48 in)		
Lumens	High Power	176	384	1372						
	Low Power	154	316	1108						
Efficacy (lm / W)	High Power	67.8	78.9	76.6						
	Low Power	73.1	82.9	83.4						
CRI	High Power	82.7	82.6	82.9						
	Low Power	82.8	82.6	83						
Input Voltage		120 VAC	240 VAC	277 VAC	120 VAC	240 VAC	277 VAC	120 VAC	240 VAC	277 VAC
Power Consumption	High Power	2.8 W	3.5 W	3.8 W	5.1 W	5.5 W	6.0 W	19.0 W	19.0 W	19.0 W
	Low Power	2.2 W	2.7 W	3.0 W	4.0 W	4.2 W	5.0 W	15.0 W	15.0 W	15.0 W
Power Factor (@ 120 VAC)		.99			.99			.98		
Dimming	Compatible with commercially available reverse-phase ELV-type dimmers									
Wide Beam Dimensions (Height x Length x Width)		35 x 152 x 32 mm (1.37 x 6 x 1.25 in)			35 x 305 x 32 mm (1.37 x 12 x 1.25 in)			47 x 1220 x 38 mm (1.90 x 48 x 1.5 in)		
Weight (with optics)		116 g (0.25 lbs)			186 g (0.41 lbs)			910 g (2 lbs)		
Housing	Injection-molded plastic, white finish									
Lens	Clear Polycarbonate									
Fixture Connections	Integral male / female connectors									
Temperature Ranges	-20° – 50° C (-4° – 122° F) Operating -20° – 50° C (-4° – 122° F) Startup -40° – 80° C (-40° – 176° F) Storage									
Humidity	0 – 95%, non-condensing									
Fixture Run Length	To calculate fixture run lengths and total power consumption for your specific installation, download the Configuration Calculator from <a href="http://www.philipscolorkinetics.com/support/install_tool/">www.philipscolorkinetics.com/support/install_tool/</a>									
Certification	UL / cUL, FCC Class B, CE, SAA, C-Tick, CCC									
Environment	Damp Location, IP20									

**eW Cove QLX Powercore, 2700 K, Medium Beam (60° x 90°)**

Technical parameters										
Product	eW Cove QLX Powercore, 2700 K, Medium Beam (60° x 90°)									
	152 mm (6 in)			305 mm (12 in)			1220 mm (48 in)			
Lumens	High Power	166	361	1361						
	Low Power	148	306	1143						
Efficacy (lm / W)	High Power	63.5	75.0	79.2						
	Low Power	70.1	80.2	86.4						
CRI	High Power	82.9	82.7	82.7						
	Low Power	82.9	82.5	82.7						
Input Voltage	120 VAC	240 VAC	277 VAC	120 VAC	240 VAC	277 VAC	120 VAC	240 VAC	277 VAC	
Power Consumption	High Power	2.8 W	3.5 W	3.8 W	5.1 W	5.5 W	6.0 W	19.0 W	19.0 W	19.0 W
	Low Power	2.2 W	2.7 W	3.0 W	4.0 W	4.2 W	5.0 W	15.0 W	15.0 W	15.0 W
Power Factor (@ 120 VAC)		.99	.99	.98						
Dimming	Compatible with commercially available reverse-phase ELV-type dimmers									
Wide Beam Dimensions (Height x Length x Width)	40 x 152 x 32 mm (1.58 x 6 x 1.25 in)			40 x 305 x 32 mm (1.58 x 12 x 1.25 in)			49 x 1220 x 38 mm (1.90 x 48 x 1.5 in)			
Weight (with optics)	116 g (0.25 lbs)			186 g (0.41 lbs)			910 g (2 lbs)			
Housing	Injection-molded plastic, white finish									
Lens	Clear Polycarbonate									
Fixture Connections	Integral male / female connectors									
Temperature Ranges	-20° – 50° C (-4° – 122° F) Operating -20° – 50° C (-4° – 122° F) Startup -40° – 80° C (-40° – 176° F) Storage									
Humidity	0 – 95%, non-condensing									
Fixture Run Length	To calculate fixture run lengths and total power consumption for your specific installation, download the Configuration Calculator from <a href="http://www.philipscolorkinetics.com/support/install_tool/">www.philipscolorkinetics.com/support/install_tool/</a>									
Certification	UL / cUL, FCC Class B, CE, SAA, C-Tick, CCC									
Environment	Damp Location, IP20									

**eW Cove QLX Powercore, 3000 K, Wide Beam (110° x 110°)**

Technical parameters										
Product	eW Cove QLX Powercore, 3000 K, Wide Beam (110° x 110°)									
	152 mm (6 in)			305 mm (12 in)			1220 mm (48 in)			
Lumens	High Power	209	432	1575						
	Low Power	170	359	1292						
Efficacy (lm / W)	High Power	79.2	90.3	87.9						
	Low Power	80.3	92.2	94.6						
CRI	High Power	82.1	81.9	82.2						
	Low Power	82.4	82.2	82.3						
Input Voltage	120 VAC	240 VAC	277 VAC	120 VAC	240 VAC	277 VAC	120 VAC	240 VAC	277 VAC	
Power Consumption	High Power	4.0 W	4.2 W	3.8 W	5.1 W	5.5 W	6.0 W	19.0 W	19.0 W	19.0 W
	Low Power	2.2 W	2.7 W	3.0 W	4.0 W	4.2 W	5.0 W	15.0 W	15.0 W	15.0 W
Power Factor (@ 120 VAC)		.98	.99	.98						
Dimming	Compatible with commercially available reverse-phase ELV-type dimmers									
Wide Beam Dimensions (Height x Length x Width)	35 x 152 x 32 mm (1.37 x 6 x 1.25 in)			35 x 305 x 32 mm (1.37 x 12 x 1.25 in)			47 x 1220 x 38 mm (1.90 x 48 x 1.5 in)			
Weight (with optics)	116 g (0.25 lbs)			186 g (0.41 lbs)			910 g (2 lbs)			
Housing	Injection-molded plastic, white finish									
Lens	Clear Polycarbonate									
Fixture Connections	Integral male / female connectors									
Temperature Ranges	-20° – 50° C (-4° – 122° F) Operating -20° – 50° C (-4° – 122° F) Startup -40° – 80° C (-40° – 176° F) Storage									
Humidity	0 – 95%, non-condensing									
Fixture Run Length	To calculate fixture run lengths and total power consumption for your specific installation, download the Configuration Calculator from <a href="http://www.philipscolorkinetics.com/support/install_tool/">www.philipscolorkinetics.com/support/install_tool/</a>									
Certification	UL / cUL, FCC Class B, CE, SAA, C-Tick, CCC									
Environment	Damp Location, IP20									

**eW Cove QLX Powercore, 3000 K, Medium Beam (60° x 90°)**

Technical parameters										
Product	eW Cove QLX Powercore, 3000 K, Medium Beam (60° x 90°)									
	152 mm (6 in)			305 mm (12 in)			1220 mm (48 in)			
Lumens	High Power	188	411	1604						
	Low Power	163	341	1309						
Efficacy (lm / W)	High Power	70.5	85.9	90.2						
	Low Power	77.8	90.2	98.4						
CRI		82	82	82						
Input Voltage	120 VAC	240 VAC	277 VAC	120 VAC	240 VAC	277 VAC	120 VAC	240 VAC	277 VAC	
Power Consumption	High Power	2.8 W	3.5 W	3.8 W	5.1 W	5.5 W	6.0 W	19.0 W	19.0 W	19.0 W
	Low Power	2.2 W	2.7 W	3.0 W	4.0 W	4.2 W	5.0 W	15.0 W	15.0 W	15.0 W
Power Factor (@ 120 VAC)		.99	.99	.98						
Dimming	Compatible with commercially available reverse-phase ELV-type dimmers									
Wide Beam Dimensions (Height x Length x Width)	40 x 152 x 32 mm (1.58 x 6 x 1.25 in)			40 x 305 x 32 mm (1.58 x 12 x 1.25 in)			49 x 1220 x 38 mm (1.90 x 48 x 1.5 in)			
Weight (with optics)	116 g (0.25 lbs)			186 g (0.41 lbs)			910 g (2 lbs)			
Housing	Injection-molded plastic, white finish									
Lens	Clear Polycarbonate									
Fixture Connections	Integral male / female connectors									
Temperature Ranges	-20° – 50° C (-4° – 122° F) Operating -20° – 50° C (-4° – 122° F) Startup -40° – 80° C (-40° – 176° F) Storage									
Humidity	0 – 95%, non-condensing									
Fixture Run Length	To calculate fixture run lengths and total power consumption for your specific installation, download the Configuration Calculator from <a href="http://www.philipscolorkinetics.com/support/install_tool/">www.philipscolorkinetics.com/support/install_tool/</a>									
Certification	UL / cUL, FCC Class B, CE, SAA, C-Tick, CCC									
Environment	Damp Location, IP20									

**eW Cove QLX Powercore, 3500 K, Wide Beam (110° x 110°)**

Technical parameters										
Product	eW Cove QLX Powercore, 3500 K, Wide Beam (110° x 110°)									
	152 mm (6 in)			305 mm (12 in)			1220 mm (48 in)			
Lumens	High Power	204	432	1542						
	Low Power	165	355	1242						
Efficacy (lm / W)	High Power	78.4	88.0	86.2						
	Low Power	79.3	92.4	95.3						
CRI	High Power	81.5	82.6	81.8						
	Low Power	81.7	82.6	81.8						
Input Voltage	120 VAC	240 VAC	277 VAC	120 VAC	240 VAC	277 VAC	120 VAC	240 VAC	277 VAC	
Power Consumption	High Power	2.8 W	3.5 W	3.8 W	4.0 W	5.5 W	6.0 W	19.0 W	19.0 W	19.0 W
	Low Power	2.2 W	2.7 W	3.0 W	4.0 W	4.2 W	5.0 W	15.0 W	15.0 W	15.0 W
Power Factor (@ 120 VAC)		.99	.99	.98						
Dimming	Compatible with commercially available reverse-phase ELV-type dimmers									
Wide Beam Dimensions (Height x Length x Width)	35 x 152 x 32 mm (1.37 x 6 x 1.25 in)			35 x 305 x 32 mm (1.37 x 12 x 1.25 in)			97 x 1220 x 38 mm (1.90 x 48 x 1.5 in)			
Weight (with optics)	116 g (0.25 lbs)			186 g (0.41 lbs)			910 g (2 lbs)			
Housing	Injection-molded plastic, white finish									
Lens	Clear Polycarbonate									
Fixture Connections	Integral male / female connectors									
Temperature Ranges	-20° – 50° C (-4° – 122° F) Operating -20° – 50° C (-4° – 122° F) Startup -40° – 80° C (-40° – 176° F) Storage									
Humidity	0 – 95%, non-condensing									
Fixture Run Length	To calculate fixture run lengths and total power consumption for your specific installation, download the Configuration Calculator from <a href="http://www.philipscolorkinetics.com/support/install_tool/">www.philipscolorkinetics.com/support/install_tool/</a>									
Certification	UL / cUL, FCC Class B, CE, SAA, C-Tick, CCC									
Environment	Damp Location, IP20									

**eW Cove QLX Powercore, 3500 K, Medium Beam (60° x 90°)**

Technical parameters											
Product	eW Cove QLX Powercore, 3500 K, Medium Beam (60° x 90°)										
	152 mm (6 in)			305 mm (12 in)			1220 mm (48 in)				
Lumens	High Power	183	416	1548							
	Low Power	149	334	1259							
Efficacy (lm / W)	High Power	70.0	85.2	87.7							
	Low Power	72.0	87.4	96.0							
CRI	High Power	82.2	82.5	81.7							
	Low Power	81.8	82.3	81.7							
Input Voltage	120 VAC	240 VAC	277 VAC	120 VAC	240 VAC	277 VAC	120 VAC	240 VAC	277 VAC		
Power Consumption	High Power	2.8 W	3.5 W	3.8 W	5.1 W	5.5 W	6.0 W	19.0 W	19.0 W	19.0 W	
	Low Power	2.2 W	2.7 W	3.0 W	4.0 W	4.2 W	5.0 W	15.0 W	15.0 W	15.0 W	
Power Factor (@ 120 VAC)		.99	.99	.98							
Dimming	Compatible with commercially available reverse-phase ELV-type dimmers										
Wide Beam Dimensions (Height x Length x Width)	40 x 152 x 32 mm (1.58 x 6 x 1.25 in)	40 x 305 x 32 mm (1.58 x 12 x 1.25 in)	49 x 1220 x 38 mm (1.90 x 48 x 1.5 in)								
Weight (with optics)	116 g (0.25 lbs)	186 g (0.41 lbs)	910 g (2 lbs)								
Housing	Injection-molded plastic, white finish										
Lens	Clear Polycarbonate										
Fixture Connections	Integral male / female connectors										
Temperature Ranges	-20° – 50° C (-4° – 122° F) Operating -20° – 50° C (-4° – 122° F) Startup -40° – 80° C (-40° – 176° F) Storage										
Humidity	0 – 95%, non-condensing										
Fixture Run Length	To calculate fixture run lengths and total power consumption for your specific installation, download the Configuration Calculator from <a href="http://www.philipscolorkinetics.com/support/install_tool/">www.philipscolorkinetics.com/support/install_tool/</a>										
Certification	UL / cUL, FCC Class B, CE, SAA, C-Tick, CCC										
Environment	Damp Location, IP20										

**eW Cove QLX Powercore, 4000 K, Wide Beam (110° x 110°)**

Technical parameters											
Product	eW Cove QLX Powercore, 4000 K, Wide Beam (110° x 110°)										
	152 mm (6 in)			305 mm (12 in)			1220 mm (48 in)				
Lumens	High Power	202	422	1524							
	Low Power	160	342	1317							
Efficacy (lm / W)	High Power	76.5	86.7	86.6							
	Low Power	76.7	89.6	100.63							
CRI	High Power	83	81.5	82.7							
	Low Power	82.7	81.5	84.2							
Input Voltage	120 VAC	240 VAC	277 VAC	120 VAC	240 VAC	277 VAC	120 VAC	240 VAC	277 VAC		
Power Consumption	High Power	2.8 W	3.5 W	3.8 W	4.0 W	5.1 W	6.0 W	19.0 W	19.0 W	19.0 W	
	Low Power	2.2 W	2.7 W	3.0 W	4.0 W	4.2 W	5.0 W	15.0 W	15.0 W	15.0 W	
Power Factor (@ 120 VAC)		.99	.99	.98							
Dimming	Compatible with commercially available reverse-phase ELV-type dimmers										
Wide Beam Dimensions (Height x Length x Width)	35 x 152 x 32 mm (1.37 x 6 x 1.25 in)	35 x 305 x 32 mm (1.37 x 12 x 1.25 in)	47 x 1220 x 38 mm (1.90 x 48 x 1.5 in)								
Weight (with optics)	116 g (0.25 lbs)	186 g (0.41 lbs)	910 g (2 lbs)								
Housing	Injection-molded plastic, white finish										
Lens	Clear Polycarbonate										
Fixture Connections	Integral male / female connectors										
Temperature Ranges	-20° – 50° C (-4° – 122° F) Operating -20° – 50° C (-4° – 122° F) Startup -40° – 80° C (-40° – 176° F) Storage										
Humidity	0 – 95%, non-condensing										
Fixture Run Length	To calculate fixture run lengths and total power consumption for your specific installation, download the Configuration Calculator from <a href="http://www.philipscolorkinetics.com/support/install_tool/">www.philipscolorkinetics.com/support/install_tool/</a>										
Certification	UL / cUL, FCC Class B, CE, SAA, C-Tick, CCC										
Environment	Damp Location, IP20										

**eW Cove QLX Powercore, 4000 K, Medium Beam (60° x 90°)**

Technical parameters											
Product	eW Cove QLX Powercore, 4000 K, Medium Beam (60° x 90°)										
	152 mm (6 in)			305 mm (12 in)			1220 mm (48 in)				
Lumens	High Power	178	401	1487							
	Low Power	156	329	1350							
Efficacy (lm / W)	High Power	68.6	82.1	87.1							
	Low Power	73.2	86.9	101.9							
CRI	High Power	82.2	81.5	82.6							
	Low Power	82.9	81.6	83.6							
Input Voltage	120 VAC	240 VAC	277 VAC	120 VAC	240 VAC	277 VAC	120 VAC	240 VAC	277 VAC		
Power Consumption	High Power	2.8 W	3.5 W	3.8 W	4.0 W	4.2 W	6.0 W	19.0 W	19.0 W	19.0 W	
	Low Power	2.2 W	2.7 W	3.0 W	4.0 W	4.2 W	5.0 W	15.0 W	15.0 W	15.0 W	
Power Factor (@ 120 VAC)		.99	.99	.98							
Dimming	Compatible with commercially available reverse-phase ELV-type dimmers										
Wide Beam Dimensions (Height x Length x Width)	40 x 152 x 32 mm (1.58 x 6 x 1.25 in)	40 x 305 x 32 mm (1.58 x 12 x 1.25 in)	49 x 1220 x 38 mm (1.90 x 48 x 1.5 in)								
Weight (with optics)	116 g (0.25 lbs)	186 g (0.41 lbs)	910 g (2 lbs)								
Housing	Injection-molded plastic, white finish										
Lens	Clear Polycarbonate										
Fixture Connections	Integral male / female connectors										
Temperature Ranges	-20° – 50° C (-4° – 122° F) Operating -20° – 50° C (-4° – 122° F) Startup -40° – 80° C (-40° – 176° F) Storage										
Humidity	0 – 95%, non-condensing										
Fixture Run Length	To calculate fixture run lengths and total power consumption for your specific installation, download the Configuration Calculator from <a href="http://www.philipscolorkinetics.com/support/install_tool/">www.philipscolorkinetics.com/support/install_tool/</a>										
Certification	UL / cUL, FCC Class B, CE, SAA, C-Tick, CCC										
Environment	Damp Location, IP20										



**DIMAND™** | **OPTIBIN™** | **POWERCORE™**  
CK TECHNOLOGY | CK TECHNOLOGY | CK TECHNOLOGY



# eW Cove EC Powercore

Cost-effective interior linear LED cove and accent fixture with solid white light

eW Cove EC Powercore is a dimmable, linear LED fixture that provides an affordable, energy-efficient alternative to traditional cove lighting in applications requiring white light. With its low profile, rotating housing and flexible end-to-end locking power connectors, eW Cove EC Powercore is the perfect choice for a wide range of interior retail, exhibit, hospitality, and architectural settings.

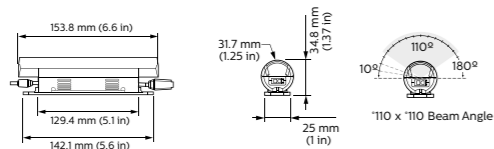
### Features and Benefits

- Industry-best white-light quality and color consistency
- Uncompromised performance
- Multiple options for design flexibility
- Support for multiple voltages
- Smooth Dimming capability
- Integrates patented Powercore technology
- Easy mounting and positioning
- Compact and flexible
- ENERGY STAR® qualified

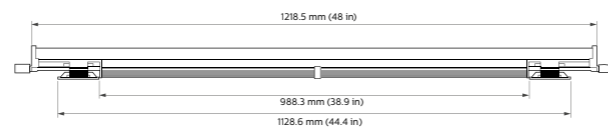
### Product size

All dimensions in millimeters

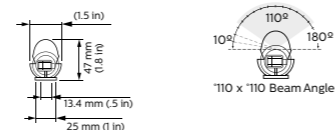
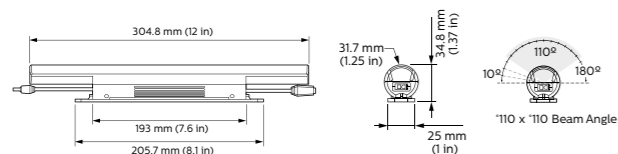
eW Cove EC 152 mm (6 in) fixture dimensions



eW Cove EC 1220 mm (48 in) fixture dimensions



eW Cove EC 305 mm (12 in) fixture dimensions



IP20

### eW Cove EC Powercore, 2700 K

Technical parameters									
Product	eW Cove EC Powercore, 2700 K								
	152 mm (6 in)			305 mm (12 in)			1220 mm (48 in)		
Lumens	111			228			765		
Efficacy (lm / W)	64.0			74.4			81.2		
CRI	83			82.5			82.8		
Input Voltage	120 VAC	240 VAC	277 VAC	120 VAC	240 VAC	277 VAC	120 VAC	240 VAC	277 VAC
Power Consumption	1.8W	2.3W	2.3W	3.2W	3.3W	3.4W	10W	10W	10W
Power Factor (@ 120 VAC)	.98			.97			.96		
Dimming	Compatible with selected with selected commercially available reverse-phase ELV-type dimmers								
Dimensions Height x Length x Width	35 x 152 x 32 mm (1.37 x 6.0 x 1.25 in)			35 x 305 x 32 mm (1.37 x 12.0 x 1.25 in)			47 x 1218 x 38 mm (1.90 x 48.0 x 1.5 in)		
Weight	103 g (0.23 lbs)			166 g (0.37 lbs)			880 g (1.94 lbs)		
Housing	Injection-molded plastic, dark-gray finish								
Lens	Clear polycarbonate								
Fixture Connections	Integral male / female connectors								
Temperature Ranges	-4° – 122° F (-20° – 50° C) Operating -4° – 122° F (-20° – 50° C) Startup -40° – 176° F (-40° – 80° C) Storage								
Humidity	0 – 95%, non-condensing								
Fixture Run Lengths	To calculate fixture run lengths and total power consumption for your specific installation, download the Configuration Calculator from <a href="http://www.philipscolorkinetics.com/support/install_tool/">www.philipscolorkinetics.com/support/install_tool/</a>								
Certification	UL, CE, FCC, SAA, C-Tick, CCC, ENERGY STAR® (UL listed models only)								
Environment	Damp Location, IP20								



## eW Cove EC Powercore, 3000 K

Technical parameters									
Product	eW Cove EC Powercore, 3000 K								
	152 mm (6 in)			305 mm (12 in)			1220 mm (48 in)		
Lumens	121	263	877						
Efficacy (lm / W)	71.2	85.5	91.1						
CRI	82.5	81.9	82.1						
Input Voltage	120 VAC	240 VAC	277 VAC	120 VAC	240 VAC	277 VAC	120 VAC	240 VAC	277 VAC
Power Consumption	1.8W	2.3W	2.3W	3.2W	3.3W	3.4W	10W	10W	10W
Power Factor (@ 120 VAC)	.98	.97	.96						
Dimming	Compatible with selected commercially available reverse-phase ELV-type dimmers								
Dimensions Height x Length x Width	35 x 152 x 32 mm (1.37 x 6.0 x 1.25 in)	35 x 305 x 32 mm (1.37 x 12.0 x 1.25 in)	47x 1218 x 38 mm (1.90 x 48.0 x 1.5 in)						
Weight	103 g (0.23 lbs)	166 g (0.37 lbs)	880 g (1.94 lbs)						
Housing	Injection-molded plastic, dark-gray finish								
Lens	Clear polycarbonate								
Fixture Connections	Integral male / female connectors								
Temperature Ranges	-4° – 122° F (-20° – 50° C) Operating -4° – 122° F (-20° – 50° C) Startup -40° – 176° F (-40° – 80° C) Storage								
Humidity	0 – 95%, non-condensing								
Fixture Run Lengths	To calculate fixture run lengths and total power consumption for your specific installation, download the Configuration Calculator from <a href="http://www.philipscolorkinetics.com/support/install_tool/">www.philipscolorkinetics.com/support/install_tool/</a>								
Certification	UL, CE, FCC, SAA, C-Tick, CCC, ENERGY STAR® (UL listed models only)								
Environment	Damp Location, IP20								

## eW Cove EC Powercore, 3500 K

Technical parameters									
Product	eW Cove EC Powercore, 3500 K								
	152 mm (6 in)			305 mm (12 in)			1220 mm (48 in)		
Lumens	124	257	860						
Efficacy (lm / W)	72.5	84.2	90						
CRI	81.7	81.3	81.4						
Input Voltage	120 VAC	240 VAC	277 VAC	120 VAC	240 VAC	277 VAC	120 VAC	240 VAC	277 VAC
Power Consumption	1.8W	2.3W	2.3W	3.2W	3.3W	3.4W	10W	10W	10W
Power Factor (@ 120 VAC)	.98	.97	.96						
Dimming	Compatible with selected commercially available reverse-phase ELV-type dimmers								
Dimensions Height x Length x Width	35 x 152 x 32 mm (1.37 x 6.0 x 1.25 in)	35 x 305 x 32 mm (1.37 x 12.0 x 1.25 in)	47x 1218 x 38 mm (1.90 x 48.0 x 1.5 in)						
Weight	103 g (0.23 lbs)	166 g (0.37 lbs)	880 g (1.94 lbs)						
Housing	Injection-molded plastic, dark-gray finish								
Lens	Clear polycarbonate								
Fixture Connections	Integral male / female connectors								
Temperature Ranges	-4° – 122° F (-20° – 50° C) Operating -4° – 122° F (-20° – 50° C) Startup -40° – 176° F (-40° – 80° C) Storage								
Humidity	0 – 95%, non-condensing								
Fixture Run Lengths	To calculate fixture run lengths and total power consumption for your specific installation, download the Configuration Calculator from <a href="http://www.philipscolorkinetics.com/support/install_tool/">www.philipscolorkinetics.com/support/install_tool/</a>								
Certification	UL, CE, FCC, SAA, C-Tick, CCC, ENERGY STAR® (UL listed models only)								
Environment	Damp Location, IP20								

## eW Cove EC Powercore, 4000 K

Technical parameters									
Product	eW Cove EC Powercore, 4000 K								
	152 mm (6 in)			305 mm (12 in)			1220 mm (48 in)		
Lumens	117	247	819						
Efficacy (lm / W)	68.9	81.6	88.3						
CRI	82.9	82.1	82.4						
Input Voltage	120 VAC	240 VAC	277 VAC	120 VAC	240 VAC	277 VAC	120 VAC	240 VAC	277 VAC
Power Consumption	1.8W	2.3W	2.3W	3.2W	3.3W	3.4W	10W	10W	10W
Power Factor (@ 120 VAC)	.97	.97	.96						
Dimming	Compatible with selected commercially available reverse-phase ELV-type dimmers								
Dimensions Height x Length x Width	35 x 152 x 32 mm (1.37 x 6.0 x 1.25 in)	35 x 305 x 32 mm (1.37 x 12.0 x 1.25 in)	47x 1218 x 38 mm (1.90 x 48.0 x 1.5 in)						
Weight	103 g (0.23 lbs)	166 g (0.37 lbs)	880 g (1.94 lbs)						
Housing	Injection-molded plastic, dark-gray finish								
Lens	Clear polycarbonate								
Fixture Connections	Integral male / female connectors								
Temperature Ranges	-4° – 122° F (-20° – 50° C) Operating -4° – 122° F (-20° – 50° C) Startup -40° – 176° F (-40° – 80° C) Storage								
Humidity	0 – 95%, non-condensing								
Fixture Run Lengths	To calculate fixture run lengths and total power consumption for your specific installation, download the Configuration Calculator from <a href="http://www.philipscolorkinetics.com/support/install_tool/">www.philipscolorkinetics.com/support/install_tool/</a>								
Certification	UL, CE, FCC, SAA, C-Tick, CCC, ENERGY STAR® (UL listed models only)								
Environment	Damp Location, IP20								



## SkyRibbon Essential White Linear Direct Powercore

Recessed linear interior LED fixture for direct-view and general illumination applications with solid white light

### Features and Benefits

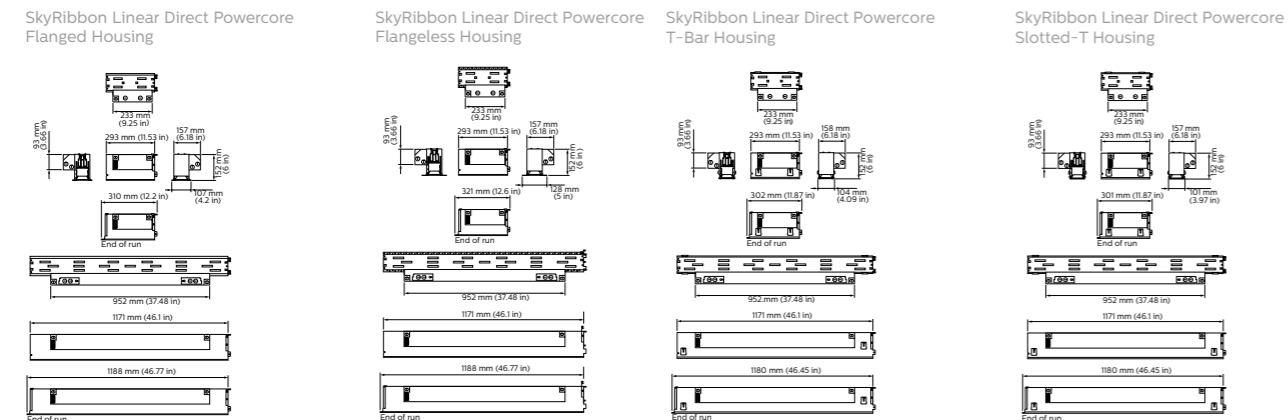
SkyRibbon Essential White Linear Direct Powercore is a recessed linear interior LED fixture offering high-quality, dimmable solid white light in four color temperatures, ranging from warm 2700K to cool 4000K. Brilliant light output and industry-leading color consistency make fixtures ideal for a variety of general illumination applications. Multiple housing options accommodate a number of installation methods.

- Four color temperatures
- High lumen output
- Multiple housing options for installation and mounting flexibility
- Flexible configuration
- Integrates patented Powercore technology
- Dimming capability
- Optibin, advanced binning algorithm
- Three voltage options

### Product size

All dimensions in millimeters

#### CE Dimensional Diagrams, 240-220 VAC



IP20 100Khrs

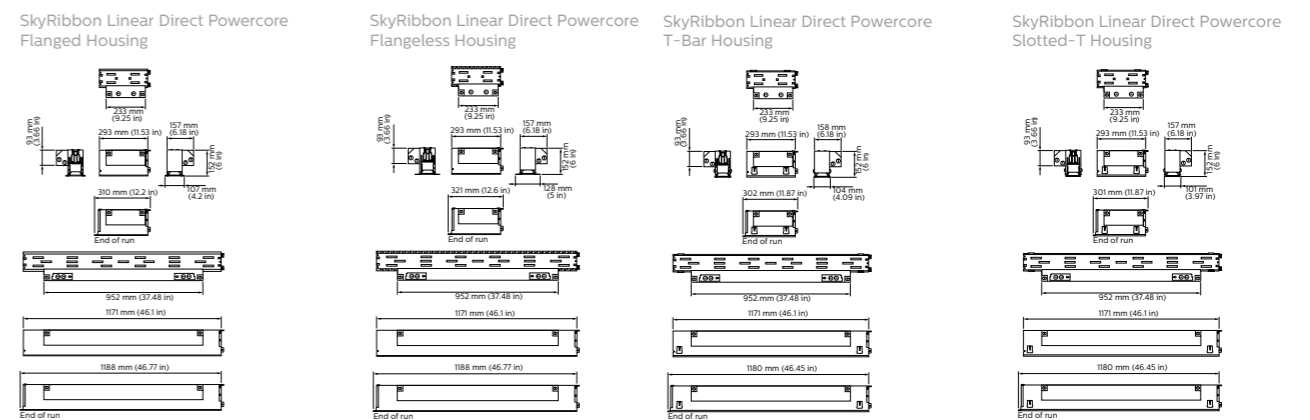
### Technical parameters

Product	SkyRibbon Linear Direct Powercore, 305 mm (1 ft)			
	<b>2700 K</b>	<b>3000 K</b>	<b>3500 K</b>	<b>4000 K</b>
Lumens	572	631	656	663
Efficacy (lm / W)	43.6	47.4	49.1	49.7
CRI	85	87	87	88
Power Factor	0.99 @ 120 VAC			
Lumen Maintenance	100,000 hours L70 @ 25° C 100,000 hours L70 @ 40° C 100,000 hours L50 @ 25° C 100,000 hours L50 @ 40° C			
Input Voltage	120 VAC, 220 - 240 VAC, 277 VAC, 50/60 Hz			
Power Consumption	14 W (0.3 m/1ft) 48 W (1.2 m/4ft)			
Dimming	Compatible with selected commercially available reverse-phase ELV-type dimmers			
Housing Material	Steel, white powder-coated finish			
Lens	Polycarbonate			
Fixture Connections	178 mm (7 in) flying leads, integral male/female connectors (120/277 VAC) Wieland integral male/female connectors (220-240 VAC)			
Temperature Ranges	120 / 220 - 240 VAC			-20° - 40° C (-4° - 104° F) Operating -20° - 40° C (-4° - 104° F) Startup -40° - 80° C (-40° - 176° F) Storage
	277 VAC			-20° - 35° C (-4° - 95° F) Operating -20° - 35° C (-4° - 95° F) Startup -40° - 80° C (-40° - 176° F) Storage
Fixture Run Lengths	To calculate fixture run lengths and total power consumption for your specific installation, download the Configuration Calculator from <a href="http://www.philips.com/colorkinetics/support/install_tool/">www.philips.com/colorkinetics/support/install_tool/</a>			
Humidity	0 - 95%, non-condensing			
Certification	UL/cUL, FCC Class A, CE			
Environment	Dry/Damp Location, IP20			

### Product size

All dimensions in millimeters

#### UL Dimensional Diagrams, 120 VAC/277 VAC





CHROMACORE<sup>®</sup> CK TECHNOLOGY | OPTIBIN<sup>®</sup> CK TECHNOLOGY | CHROMASIC<sup>™</sup> CK TECHNOLOGY



# eW Flex Micro

Flexible strands of high-intensity LED nodes with solid white light

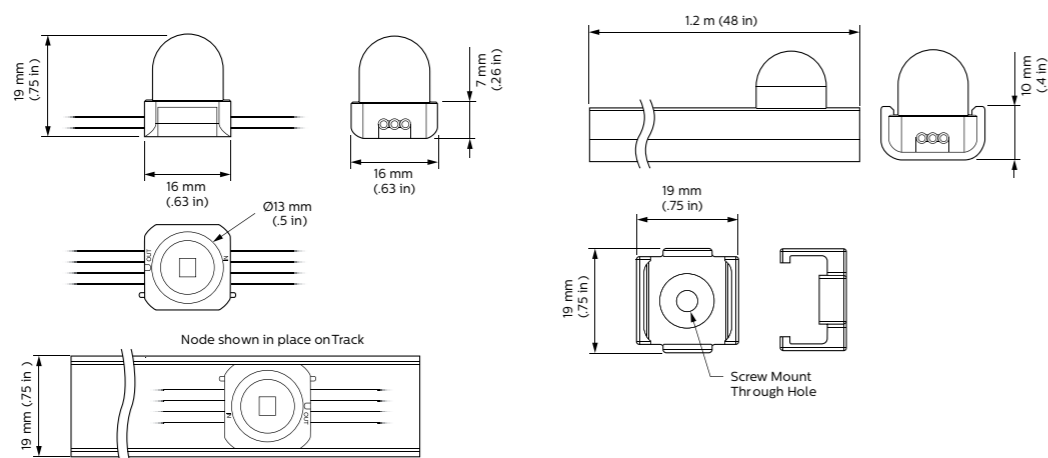
eW Flex Micro is a versatile strand of 50 small, individually controllable LED nodes. The flexible form factor allows dynamic points of white light to be installed across nearly any interior or exterior surface, including walls, ceilings, floors, three-dimensional sculptures, and set pieces. eW Flex Micro can also light tight alcove spaces and signage, and in certain cases, can even display video.

## Features and Benefits

- Daylight visible
- Adaptable mounting
- Outdoor rated
- Supports cost-effective video displays
- Multiple lens options
- Standard and custom lengths and node spacing
- Custom Leader Cables
- Industry-leading controls
- Durable and weather-resistant

## Product size

All dimensions in millimeters



## Technical parameters

Product	eW Flex Micro			
Type	Clear Dome Lens, Translucent Dome Lens			
Output	Lumens Per Node	2700 K	25.7	17.5
		4000 K	27.8	18.2
	Candela Per Node	2700 K	10.1	3.5
		4000 K	10.5	3.7
	Luminance Per Node	2700 K	6962 cd / m <sup>2</sup>	2571 cd / m <sup>2</sup>
		4000 K	7529 cd / m <sup>2</sup>	2684 cd / m <sup>2</sup>
	CRI	2700 K	84	86
4000 K		86	89	
Viewing Angle	105°		165°	
LED Channels	Red / Green / Blue			
Input Voltage	24 VDC via sPDS-480ca, sPDS-480ca, and PDS-60ca			
Power Consumption	0.5 W max. per node at full output, steady state			
Interface	PDS-60ca 24V (Pre-programmed or DMX / Ethernet) sPDS-60ca 24V (Pre-programmed or DMX / Ethernet) sPDS-480ca 24V (Ethernet)			
Control System	Philips full range of controllers, including Video System Manager Pro, Light System Manager, and iPlayer 3, or thirdparty controllers			
Node Dimensions Height x Width x Depth	<b>Clear Dome Lens</b> : 19 mm x 16 mm x 16 mm (.75 in x .63 in x .63 in) <b>Translucent Dome Lens</b> : 19 mm x 16 mm x 16 mm (.75 in x .63 in x .63 in)			
Weight	381 g (13.4 oz) 50-node strand, 4 in on-center node spacing			
Housing	White or black polycarbonate			
Lens	Clear or translucent plastic			
Fixture Connections	Integrated watertight 3-pin connector			
Temperature Ranges	-30° – 50° C (-22° – 122° F) Operating ≥ 0° C (≥ 32° F) Handling -20° – 50° C (-4° – 122° F) Startup -30° – 85° C (-22° – 185° F) Storage			
Humidity	0 – 95%, non-condensing			
Maximum Fixtures Per Power / Data Supply	sPDS-480ca 24V: 8 strands sPDS-60ca 24V: 2 strands PDS-60ca 24V: 2 strands			
Certification	UL / cUL, FCC Class A, CE			
Environment	Dry / Damp / Wet Location, IP66			



# eW Flex Compact

Flexible strands of high-intensity LED nodes with solid white light

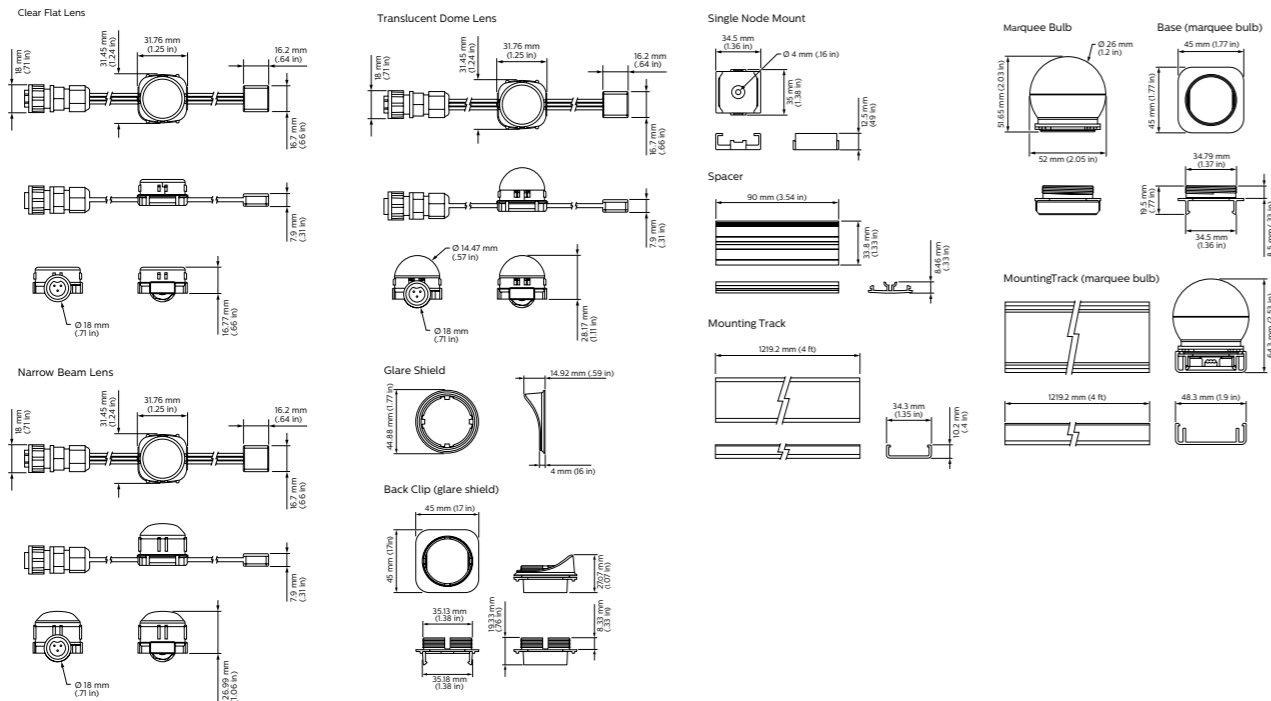
eW Flex Compact is a versatile strand of 50 individually controllable LED nodes. The flexible form factor allows dynamic points of white light to be installed across nearly any interior or exterior surface, including walls, ceilings, floors, three-dimensional sculptures, and set pieces. eW Flex Compact can also light tight alcove spaces and signage, and in certain cases, can even display video.

## Features and Benefits

- Daylight visible
- Adaptable mounting
- Outdoor rated
- Supports cost-effective video displays
- Multiple lens options
- Standard and custom lengths and node spacing
- Custom Leader Cables
- Industry-leading controls

## Product size

All dimensions in millimeters



IP66 56Khrs

## Technical parameters

Product	eW Flex Compact				
Type	Clear Flat Lens, Translucent Dome Lens, Narrow Beam Lens				
Output		<b>Clear Flat Lens</b>	<b>Translucent Dome Lens</b>	<b>Narrow Beam Lens</b>	
	<b>Lumens Per Node</b>	2700 K	81	35	73
		4000 K	87	40	84
	<b>Efficacy (lm/W)</b>	2700 K	80.9	35.0	72.8
		4000 K	86.9	39.6	84.0
	<b>On-Axis Candela Per Node</b>	2700 K	29.8	7.1	85.5
		4000 K	31.5	8.0	89.6
	<b>Luminance Per Node</b>	2700 K	45,127 cd/m <sup>2</sup>	10,660 cd/m <sup>2</sup>	122,240 cd/m <sup>2</sup>
		4000 K	47,679 cd/m <sup>2</sup>	12,106 cd/m <sup>2</sup>	129,758 cd/m <sup>2</sup>
	<b>CRI</b>	2700 K	82	85	83
4000 K		84	86	84	
<b>Viewing Angle</b>	2700 K	105°	200°	36°	
	4000 K	105°	200°	36°	
Input Voltage	24 VDC via PDS-60ca, sPDS-480ca, and sPDS-60ca				
Power Consumption	1 W (Maximum per node at full output, steady state)				
Lumen Maintenance	20,000 hrs L90 @ 25° C 20,000 hrs L90 @ 50° C 37,000 hrs L80 @ 25° C 37,000 hrs L80 @ 50° C 56,000 hrs L70 @ 25° C 56,000 hrs L70 @ 50° C				
Interface	PDS-60ca 24V (Pre-programmed or DMX / Ethernet) sPDS-60ca 24V (DMX / Ethernet) sPDS-480ca 24V (Ethernet)				
Control System	Philips Color Kinetics full range of controllers, including Light System Manager, Video System Manager Pro, iPlayer 3, Antumbra iColor Keypad, and ColorDial Pro, or third-party controllers				
Node Dimensions Height x Width x Depth	<b>Clear Flat Lens</b> : 31 x 32 x 17 mm (1.2 x 1.25 x .67 in) <b>Translucent Dome Lens</b> : 31 x 32 x 25 mm (1.2 x 1.25 x 1 in) <b>Narrow Beam Lens</b> : 31 x 32 x 27 mm (1.2 x 1.3 x 1.1 in)				
Weight	1.0 kg (2.2 lb) 50-node strand, 4 in on-center node spacing 1.5 kg (3.3 lb) 50-node strand, 12 in on-center node spacing				
Housing	White or black polycarbonate				
Lens	Clear or translucent plastic				
Fixture Connections	Integrated watertight 3-pin connector				
Temperature Ranges	-40° – 50° C (-40° – 122° F) Operating -20° – 50° C (-4° – 122° F) Startup -40° – 80° C (-40° – 176° F) Storage ≥ 0° C (≥ 32° F) Handling				
Humidity	0 – 95%, non-condensing				
Maximum Fixtures Per Power / Data Supply	PDS-60ca 24V: 1 strand sPDS-60ca 24V: 1 strand sPDS-480ca 24V: 8 strands				
Certification	UL/cUL, CE, FCC Class A				
Environment	Dry / Damp / Wet Location, IP66				



CHROMACORE  
CK TECHNOLOGY



# eW Accent Compact

High resolution media direct view linear LED fixture with solid white light

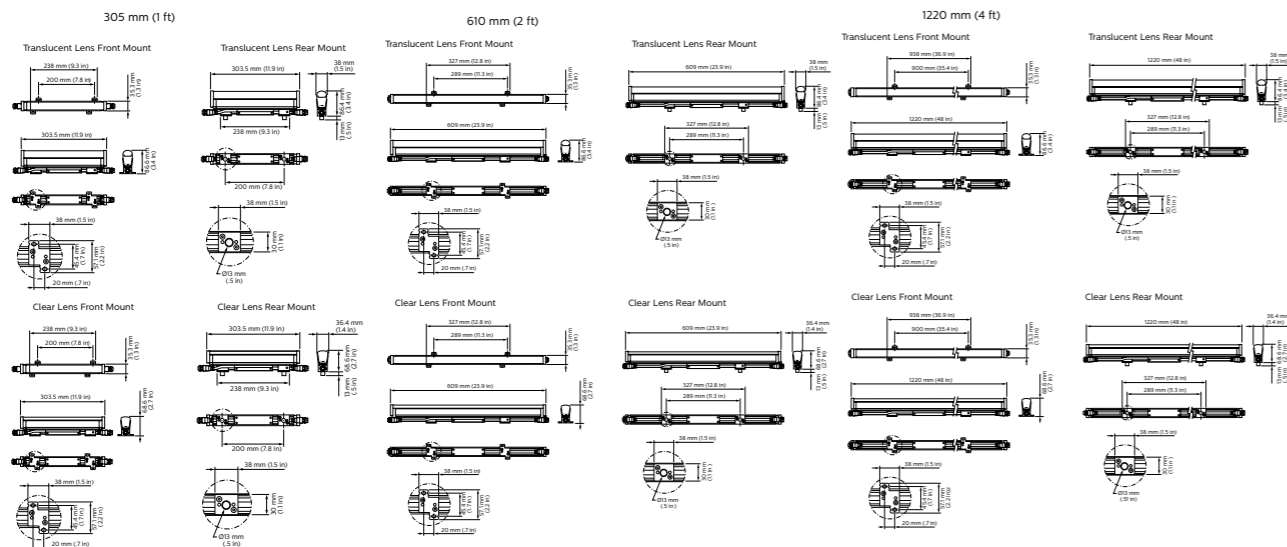
### Features and Benefits

eW Accent Compact is a direct view linear LED fixture ideally suited for displaying large-scale video, graphics, and intricately designed effects in a host of architectural settings. eW Accent Compact accepts Ethernet input from the PDS-400 48V EO to support long control runs not subject to DMX data and addressing limitations. Two lens choices are available for eW Accent Compact: a clear lens which delivers the brightest output and a translucent lens which provides the widest viewing angle.

- Precise resolution control
- Native, onboard Ethernet
- Three fixture lengths
- Rugged, durable construction
- Flexible positioning
- Industry-leading controls
- Universal power input range
- ActiveSite integration

### Product size

All dimensions in millimeters



IP66 60Khrs

### Technical parameters

Product	eW Accent Compact						
		<b>305 mm (1 ft)</b>		<b>610 mm (2 ft)</b>		<b>1219 mm (4 ft)</b>	
<b>Color Temperature</b>		2700 K	4000 K	2700 K	4000 K	2700 K	4000 K
<b>Lumens</b>	Clear Lens	336	437	672	874	1344	1748
	Translucent Lens	302	346	604	692	1208	1384
<b>Lumens Per Pixel</b>	Clear Lens	21	27.3	42	54.6	84	109.3
	Translucent Lens	18.9	21.6	37.8	43.3	75.5	86.5
<b>Efficacy (lm/W)</b>	Clear Lens	35.6	45.8	35.6	45.8	35.6	45.8
	Translucent Lens	31.5	36.2	31.5	36.2	31.5	36.2
<b>On-Axis Candela</b>	Clear Lens	125	162	250	324	500	648
	Translucent Lens	69	81	138	162	276	324
<b>On-Axis Candela Per Pixel</b>	Clear Lens	7.8	10.1	15.6	20.2	30.3	40.4
	Translucent Lens	4.3	5.1	8.6	10.2	17.3	20.4
<b>Viewing Angle</b>	Clear Lens	105°					
	Translucent Lens	210°					
<b>Lumen Maintenance</b>	60,000+ hours L70 @ 25° C (full output) 60,000+ hours L70 @ 50° C (full output)						
<b>Input Voltage</b>	100 – 277 VAC, auto-switching, 48V via PDS-400 48V EO						
<b>Power Consumption</b>		10 W per fixture maximum at full output, steady state		16 W per fixture maximum at full output, steady state		28 W per fixture maximum at full output, steady state	
<b>Interface</b>	PDS-400 48V EO, CM-400 48V EO						
<b>Control System</b>	Philips full range of controllers, including Video System Manager Pro, Light System Manager, and iPlayer 3, or third-party controllers						
<b>Dimensions (Height x Width x Depth)</b>	Clear Lens	68.6 x 303.5 x 35.3 mm (2.7 x 11.9 x 1.3 in)		68.6 x 609 x 35.3 mm (2.7 x 23.9 x 1.3 in)		68.6 x 1220 x 35.3 mm (2.7 x 48 x 1.3 in)	
	Translucent Lens	86.6 x 303.5 x 35.3 mm (3.4 x 11.9 x 1.3 in)		86.6 x 609 x 35.3 mm (3.4 x 23.9 x 1.3 in)		86.6 x 1220 x 35.3 mm (3.4 x 48 x 1.3 in)	
<b>Weight</b>	Clear Lens	1.3 lb (0.61 kg)		2 lb (0.91 kg)		3.4 lb (1.53 kg)	
	Translucent Lens	1.4 lb (0.63 kg)		2.1 lb (0.96 kg)		3.6 lb (1.64 kg)	
<b>Maximum Fixtures Per PDS-400 48V EO</b>		31		20		12	
<b>Housing</b>	Extruded aluminum/polycarbonate						
<b>Lens</b>	Clear or translucent polycarbonate						
<b>Fixture Connections</b>	Over-molded, integral male/female connectors						
<b>Temperature Ranges</b>	-40° – 50° C (-40° – 122° F) Operating -20° – 50° C (-4° – 122° F) Startup -40° – 80° C (-40° – 176° F) Storage						
<b>Humidity</b>	0 – 95%, non-condensing						
<b>Mechanical Impact</b>	IK10						
<b>Certification</b>	UL / cUL, CE, CQC, FCC Class A, RCM						
<b>Environment</b>	Dry/Damp/Wet Location, IP66						



**DIMAND™** | **OPTIBIN™** | **POWERCORE™**  
CK TECHNOLOGY | CK TECHNOLOGY | CK TECHNOLOGY



# eW Profile Powercore

Ultra-low-profile LED under-cabinet fixture for task and accent lighting

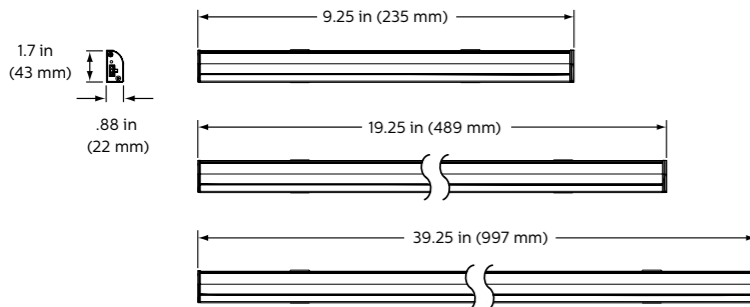
eW Profile Powercore is a direct line voltage, under-cabinet LED fixture for common task lighting and display case applications. Available in 2700K, 3000K, or 4000K color temperatures, eW Profile Powercore is suitable for new installations and retrofits requiring superior illumination quality and dramatic energy savings. With an ultra-low-profile housing, three fixture lengths, versatile jumper options, and housing colors to match any environment, eW Profile Powercore offers an unprecedented level of design flexibility and ease of use.

### Features and Benefits

- Integrates patented Powercore technology
- Industry leading quality
- Exceptional illumination performance
- Dimming capability
- Energy cost savings
- Versatile installation options

### Product size

All dimensions in millimeters



Length	Effective Length
9.25 in	11 in (279 mm)
19.25 in	21 in (533 mm)
39.25 in	41 in (1041 mm)

Effective length includes cable connectors and terminator



### Technical parameters

Product	eW Profile Powercore		
Type	9.25 in, 19.25 in, 39.25 in		
Beam Angle	105° x 100°		
Lumens	<b>9.25 in</b>	<b>19.25 in</b>	<b>39.25 in</b>
	2700 K*	229	441
	3000 K*	220	450
Efficacy (lm / W)	<b>9.25 in</b>	<b>19.25 in</b>	<b>39.25 in</b>
	2700 K*	37.1	43.9
	3000 K*	36.8	44.1
CRI	<b>9.25 in</b>	<b>19.25 in</b>	<b>39.25 in</b>
	2700 K*	82	82
	3000 K*	85	85
Lumen Maintenance	48,000 hours L70 @ 25° C 37,000 hours L70 @ 50° C 50,000 hours L50 @ 25° C 50,000 hours L50 @ 50° C		
Input Voltage	100 / 120 / 220 – 240 VAC, 50 / 60 Hz		
Power Consumption	<b>9.25 in</b> : 5.5 W max. at full output, steady state, 6 W peak in-rush <b>19.25 in</b> : 10 W max. at full output, steady state, 13 W peak in-rush <b>39.25 in</b> : 20 W max. at full output, steady state, 25 W peak in-rush		
Power Factor	0.99 @ 120 VAC (19.25 in fixture)		
Dimmer	Compatible with selected commercially available reverse-phase ELV-type dimmers		
Dimensions (Height x Width x Depth)	<b>9.25 in</b> : 0.88 x 9.25 x 1.7 in (22 x 235 x 43 mm) <b>19.25 in</b> : 0.88 x 19.25 x 1.7 in (22 x 489 x 43 mm) <b>39.25 in</b> : 0.88 x 39.25 x 1.7 in (22 x 997 x 43 mm)		
Weight	<b>9.25 in</b> : 7 oz (198 g) <b>19.25 in</b> : 13 oz (369 g) <b>39.25 in</b> : 1.6 lbs (728 g)		
Housing	Extruded aluminium, polycarbonate White, Black, or Gray powder-coated finish		
Lens	Polycarbonate		
Fixture Connections	Integral male / female connectors		
Temperature Ranges	-4° – 122° F (-20° – 50° C) Operating -4° – 122° F (-20° – 50° C) Startup -40° – 176° F (-40° – 80° C) Storage		
Humidity	0 – 95%, non-condensing		
Fixture Run Length	Up to 50 ft (15.3 m) of fixtures in a single run, ≤ 324 W		
Certification	UL / cUL, FCC Class B, CE, C-Tick, ENERGY STAR®(120 VAC)		
Environment	Dry / Damp Location, IP50		



**DIMAND™** | **OPTIBIN™** | **POWERCORE™**  
CK TECHNOLOGY | CK TECHNOLOGY | CK TECHNOLOGY



# eW Downlight Powercore gen2

Surface-mounted LED downlight for general and accent lighting

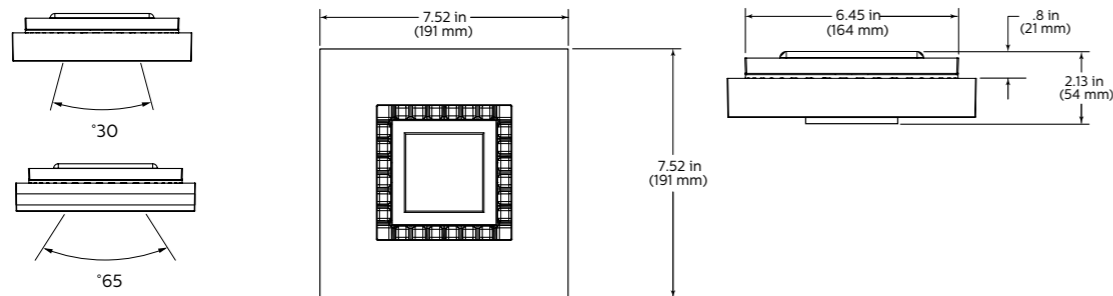
eW Downlight Powercore gen2 is a low-profile, surface-mounted LED downlight for basic white general illumination. This easy-to-install, dimmable fixture uses standard mounting and direct line voltage connection without the need for remote transformers. Ideally suited for lobbies, corridors, elevators, conference rooms, common spaces, kitchenettes, and interiors in commercial, hospitality, retail, and residential environments, eW Downlight Powercore gen2 is especially appropriate where recessed installation is not possible.

## Features and Benefits

- Superior light output and quality
- Four available color temperatures
- Two available beam angles
- Integrates patented Powercore technology
- Simple, standard installation
- Flexible mounting options
- Four available voltages
- Unobtrusive, sleek design
- Dimming capability

## Product size

All dimensions in millimeters



IP50

60Khrs

## Technical parameters

Product	eW Downlight Powercore gen2				
CCT	2700 K, 3000 K, 3500 K, 4000 K				
Lumens	<b>Beam Angle</b>	<b>2700 K</b>	<b>3000 K</b>	<b>3500 K</b>	<b>4000 K</b>
	30°	772	749	803	865
Efficacy (lm / W)	65°	796	797	863	902
	30°	56.4	56.3	57.8	63.1
CRI	65°	57.7	57.8	60.3	64.9
	30°	81	82	83	82
Beam Angle	30° / 65°				
Lumen Maintenance	60,000 hours L70 @ 25° C				
Input Voltage	100 / 120 / 220 – 240 / 277 VAC, 50 / 60 Hz				
Power Consumption	15 W maximum at full output, steady state				
Power Factor	0.98 @ 120 VAC				
Dimming	Compatible with selected commercially available reverse-phase ELV-type dimmers				
Dimensions (Height x Width x Depth)	7.5 x 7.5 x 2.1 in (191 x 191 x 54 mm)				
Weight	3.1 lb (1.4 kg)				
Housing	Die-cast aluminium chassis and bezel with black, white, or brushed aluminum finish				
Lens	Clear polycarbonate				
Fixture Connections	6 in (152 mm) flying leads (100 / 120 / 277 VAC) Terminal block (220 – 240 VAC)				
Temperature Ranges	-4° – 122° F (-20° – 50° C) Operating -4° – 122° F (-20° – 50° C) Startup -40° – 176° F (-40° – 80° C) Storage				
Humidity	0 – 95%, non-condensing				
Certification	UL / cUL, FCC Class B, CE, CCC, C-Tick, SAA				
Environment	Dry Location, IP50				
Energy Efficiency	California Title 24 Compliant				