



# PHILIPS



## EssentialColor ColorKinetics

Our EssentialColor (eColor) series delivers a full-range of professional single-channel LED luminaires for interior and exterior applications, available in a range of solid colors. eColor fixtures can be connected directly to line voltage, and can be dimmed with selected commercially available reverse-phase (ELV-type) dimmers.

<p>SkyRibbon Essential Color Wall Grazing Powercore</p>  <p>448</p>	<p>eColor Graze Powercore Family</p>  <p>450</p>	<p>eColor Fuse Powercore</p>  <p>452</p>	<p>SkyRibbon Essential Color Wall Washing Powercore</p>  <p>454</p>
<p>eColor Blast Powercore</p>  <p>456</p>	<p>eColor Reach Powercore gen2</p>  <p>458</p>	<p>eColor Reach Compact Powercore</p>  <p>460</p>	<p>eColor Burst Powercore</p>  <p>462</p>
<p>eColor Burst Compact Powercore</p>  <p>464</p>	<p>eColor Cove MX Powercore</p>  <p>466</p>	<p>eColor Cove QLX Powercore</p>  <p>468</p>	<p>eColor Cove EC Powercore</p>  <p>470</p>





# SkyRibbon Essential Color Wall Grazing Powercore

Recessed linear interior LED wall grazing fixture with solid color light

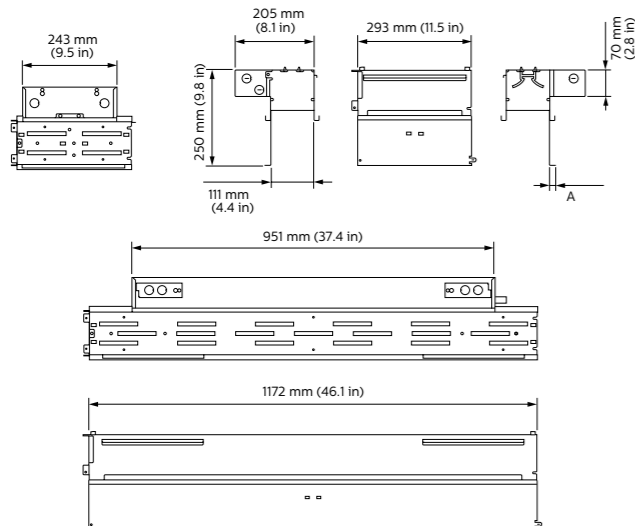
SkyRibbon Essential Color Wall Grazing Powercore is a recessed linear interior LED wall grazing fixture offering intensely saturated, dimmable light in applications calling for solid red, green, blue, or amber light. Brilliant light output and industry-leading color consistency make fixtures ideal for a variety of interior wallgrazing applications. Multiple housing options accommodate a number of installation methods.

### Features and Benefits

- Four color options
- High-quality illumination in a variety of beam angles
- Multiple housing options for installation and mounting flexibility
- Flexible configuration
- Integrates patented Powercore technology
- Dimming capability
- Optibin advanced binning algorithm
- Three voltage options available

### Product size

All dimensions in millimeters

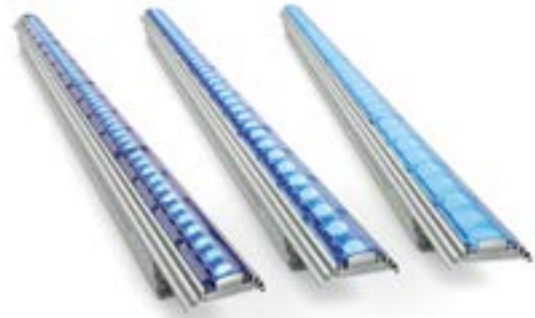


No.	Type	A
1	Flanged Housing, 220 – 240 VAC	16 mm (.6 in)
2	Flangeless Housing, 220 – 240 VAC	20 mm (.8 in)
3	T-Bar / Slotted-T Housing, 220 – 240 VAC	6 mm (.25 in)



IP20

Technical parameters	
Product	SkyRibbon Essential Color Wall Grazing Powercore
Input Voltage	120 VAC, 220 – 240 VAC, 277 VAC, 50 / 60 Hz
Power Consumption	16 W (0.3 m / 1 ft 120 VAC) 60 W (1.2 m / 4 ft 120 VAC) 17 W (0.3 m / 1 ft 220 – 240 / 277 VAC) 60 W (1.2 m / 4 ft 220 – 240 / 277 VAC)
Dimming	Compatible with selected commercially available reverse-phase ELV-type dimmers
Housing Material	Steel, white powder-coated finish
Lens	Polycarbonate
Fixture Connections	178 mm (7 in) flying leads, integral male / female connectors (120 / 277 VAC) Wieland integral male / female connectors (220 – 240 VAC)
Temperature Ranges	-20° – 40° C (-4° – 104° F) Operating -20° – 40° C (4° – 104° F) Startup -40° – 80° C (-40° – 176° F) Storage
Fixture Run Lengths	To calculate fixture run lengths and total power consumption for your specific installation, download the Configuration Calculator from <a href="http://www.philipscolorkinetics.com/support/install_tool/">www.philipscolorkinetics.com/support/install_tool/</a>
Humidity	0 – 95%, non-condensing
Certification	UL / cUL, FCC Class A, CE
Environment	Dry / Damp Location, IP20



OPTIBIN<sup>®</sup> | POWERCORE<sup>™</sup>  
CK TECHNOLOGY | CK TECHNOLOGY



# eColor Graze Powercore Family

Linear exterior LED wall grazing fixtures with solid color light

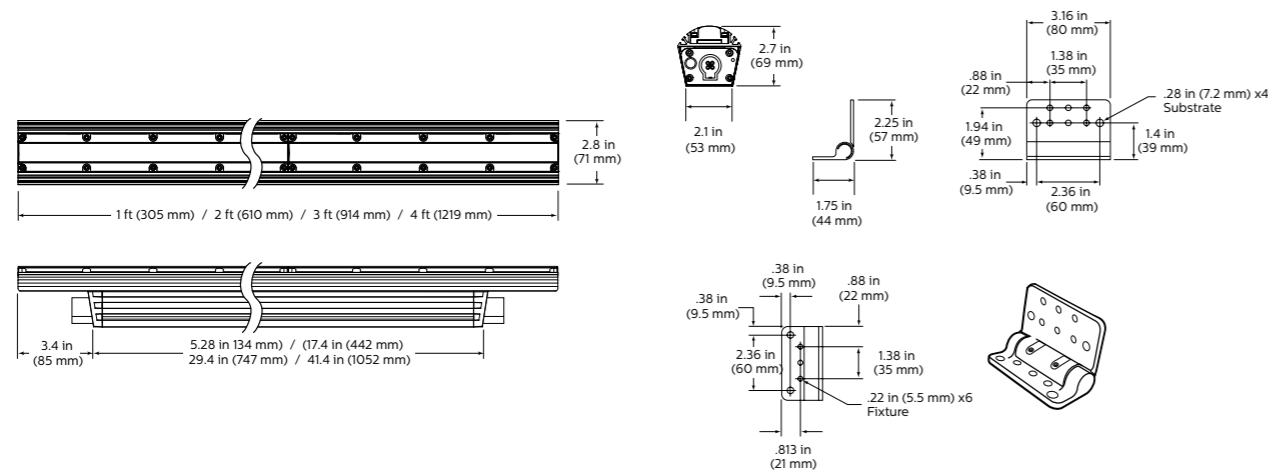
The new eColor Graze Powercore family dramatically extends the range and flexibility of the popular line of solid color light LED grazing fixtures from Philips Color Kinetics. Featuring Powercore technology, eColor Graze Powercore fixtures process power directly from line voltage, eliminating the need for external power supplies. Fixtures are available in Red, Green, Blue, and Amber. Multiple fixture lengths, beam angles, output levels, and power consumption levels support a large range of façade or surface illumination application. Low-profile housing, connectorized cabling, a universal power input range, and direct line-voltage operation make eColor Graze Powercore fixtures easy to install and operate.

### Features and Benefits

- Tailor light output to specific applications
- High-performance illumination and beam quality
- Integrates Powercore technology
- Versatile installation options
- Universal power input range
- “Cool lighting” functionality
- Dimming capability

### Product size

All dimensions in millimeters



IP66

Technical parameters					
Product	eColor Graze Powercore Family				
Type	1 ft (305 mm), 2 ft (610 mm), 3 ft (914 mm), 4 ft (1219 mm)				
Power Consumption Max. at full output, steady state	<b>Fixture</b>	<b>1 ft (305 mm)</b>	<b>2 ft (610 mm)</b>	<b>3 ft (914 mm)</b>	<b>4 ft (1219 mm)</b>
	eColor Graze MX Powercore	15 W	30 W	45 W	60 W
	eColor Graze QLX Powercore	10 W	20 W	30 W	40 W
	eColor Graze QLX Powercore 5W	5 W	10 W	15 W	20 W
	eColor Graze EC Powercore	5 W	10 W	15 W	20 W
Beam Angle	9° x 9° / 10° x 60° / 15° x 30° / 30° x 60° / 60° x 30°				
Color	Red / Green / Blue / Amber				
Input Voltage	100 – 277 VAC, auto-switching, 50 / 60 Hz				
Dimming	Compatible with selected commercially available reverse-phase ELV-type dimmers				
Dimensions (Height x Width x Depth)	<b>1 ft (305 mm)</b>	2.7 x 12 x 2.8 in (69 x 305 x 71 mm)			
	<b>2 ft (610 mm)</b>	2.7 x 24 x 2.8 in (69 x 610 x 71 mm)			
	<b>3 ft (914 mm)</b>	2.7 x 36 x 2.8 in (69 x 914 x 71 mm)			
	<b>4 ft (1219 mm)</b>	2.7 x 48 x 2.8 in (69 x 1219 x 71 mm)			
Weight	<b>1 ft (305 mm)</b>	2.1 lb (1.0 kg)			
	<b>2 ft (610 mm)</b>	4.6 lb (2.1 kg)			
	<b>3 ft (914 mm)</b>	7.1 lb (3.2 kg)			
	<b>4 ft (1219 mm)</b>	9.3 lb (4.2 kg)			
Housing	Extruded anodized aluminum				
Lens	Clear polycarbonate				
Fixture Connections	Integral male / female waterproof connectors				
Mounting	Multi-positional, constant torque locking hinges				
Temperature Ranges	-40° – 122° F (-40° – 50° C) Operating -4° – 122° F (-20° – 50° C) Startup -40° – 176° F (-40° – 80° C) Storage				
Humidity	0 – 95%, non-condensing				
Fixture Run Lengths	To calculate fixture run lengths and total power consumption for your specific installation, download the Configuration Calculator from <a href="http://www.philipscolorkinetics.com/support/install_tool/">www.philipscolorkinetics.com/support/install_tool/</a>				
Certification	UL / cUL, FCC Class A, CE, PSE, C-Tick				
Environment	Dry / Damp / Wet Location, IP66				



**DIMAND™** | **OPTIBIN™** | **POWERCORE™**  
CK TECHNOLOGY | CK TECHNOLOGY | CK TECHNOLOGY



# eColor Fuse Powercore

Linear interior LED wall grazing fixture  
with solid color light

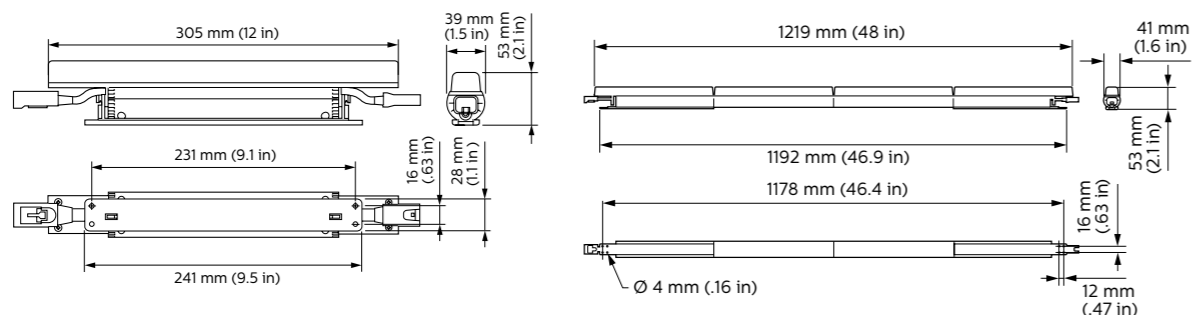
With narrow and medium beams of intense solid color light, eColor Fuse Powercore is an excellent choice for surface grazing and wall-washing applications. Its ultra-compact form factor permits installation in tight spaces too small to accommodate conventional grazing fixtures with similar light output. Lowers installation, energy, and maintenance costs. Offers environmentally-conscious buyers a green, energy-efficient grazing fixture with industry-leading quality and quantity of light.

## Features and Benefits

- High-performance beam quality
- Integrates patented Powercore technology
- Support for multiple voltages
- Dimming capability
- Simple installation
- Easy mounting and positioning

## Product size

All dimensions in millimeters



IP20

## Technical parameters

Item	eColor Fuse Powercore
Type	1 ft (305 mm), 4 ft (1.2 m)
Beam Angle	10° x 60° / 30° x 60°
Input Voltage	100 – 277 VAC, auto-ranging, 50 / 60 Hz
Power Consumption Max. at full output, steady state	<b>1 ft (305 mm)</b> : 12.5 W (Red / Green / Blue), 10 W (Amber) <b>4 ft (1.2 m)</b> : 50 W (Red / Green / Blue), 40 W (Amber)
Dimming	Compatible with selected commercially available reverse-phase ELV-type dimmers
Dimensions (Height x Width x Depth)	<b>1 ft (305 mm)</b> : 2.1 x 12 x 1.5 in (53 x 305 x 38 mm) <b>4 ft (1.2 m)</b> : 2.1 x 48 x 1.6 in (53 x 1219 x 41 mm)
Weight	<b>1 ft (305 mm)</b> : 0.98 lbs (.45 kg) <b>4 ft (1.2 m)</b> : 4.37 lbs (1.98 kg)
Housing	Die-cast aluminium, powder-coated finish
Lens	Polycarbonate
Fixture Connections	Integral male / female connectors
Temperature Ranges	-4° – 122° F (-20° – 50° C) Operating -4° – 122° F (-20° – 50° C) Startup -40° – 176° F (-40° – 80° C) Storage
Humidity	0 – 95%, non-condensing
Fixture Run Lengths	To calculate fixture run lengths and total power consumption for your specific installation, download the Configuration Calculator from <a href="http://www.philipscolorkinetics.com/support/install_tool/">www.philipscolorkinetics.com/support/install_tool/</a>
Certification	UL / cUL, FCC Class B, CE, CCC, SAA, C-Tick
Environment	Dry / Damp Location, IP20



# SkyRibbon Essential Color Wall Washing Powercore

Recessed linear interior LED wall washing fixture with solid color light

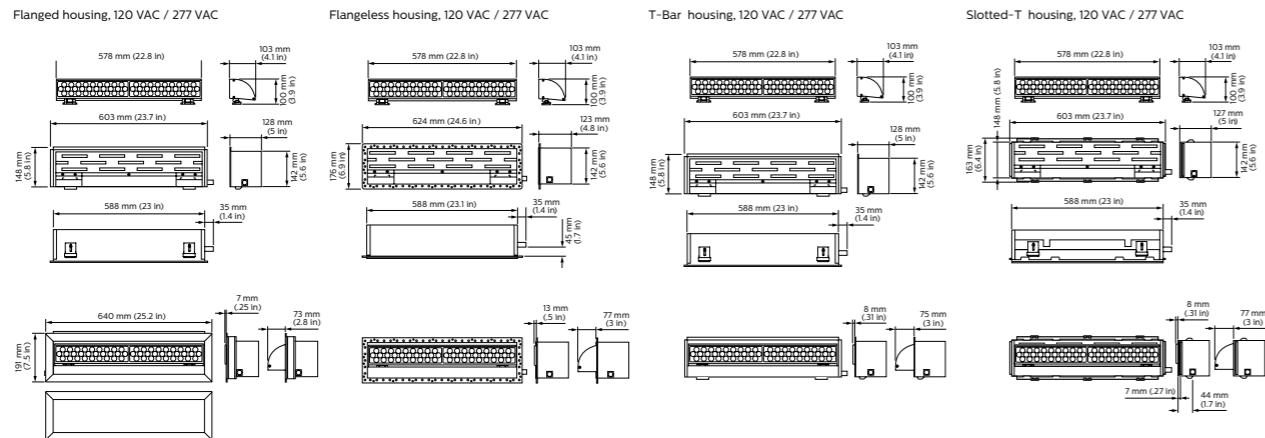
### Features and Benefits

SkyRibbon Essential Color Wall Washing Powercore is a recessed linear interior LED wall washing fixture offering intensely saturated, dimmable light in applications calling for solid red, green, blue, or amber light. Brilliant light output and industry-leading color consistency make fixtures ideal for a variety of interior wall-washing applications. Users can rotate LED modules up to 90° to evenly wash walls top to bottom regardless of fixture setback. Multiple housing options accommodate a number of installation methods.

- Four color options
- High-quality illumination in a variety of beam angles
- Multiple housing options for installation and mounting flexibility
- Integrates patented Powercore technology
- Dimming capability
- Optibin advanced binning algorithm
- Three voltage options available

### Product size

All dimensions in millimeters



IP20

Technical parameters	
Product	SkyRibbon Essential Color Wall Washing Powercore
Input Voltage	120 VAC, 220 - 240 VAC, 277 VAC, 50 / 60 Hz
Power Consumption	70 W maximum at full output, steady state
Dimming	Compatible with selected commercially available reverse-phase ELV-type dimmers
Housing Material	Steel, white powder-coated finish
Lens	Polycarbonate
Fixture Connections	7 in (178 mm) flying leads, integral male / female connectors (120 / 277 VAC) Wieland integral male / female connectors (220 - 240 VAC)
Temperature Ranges	-4° - 104° F (-20° - 40° C) Operating -4° - 104° F (-20° - 40° C) Startup -40° - 176° F (-40° - 80° C) Storage
Fixture Run Lengths	To calculate fixture run lengths and total power consumption for your specific installation, download the Configuration Calculator from <a href="http://www.philipscolorkinetics.com/support/install_tool/">www.philipscolorkinetics.com/support/install_tool/</a>
Humidity	0 - 95%, non-condensing
Certification	UL / cUL, CE, FCC Class A
Environment	Dry / Damp Location, IP20





DIMAND™ | OPTIBIN™ | POWERCORE™  
CK TECHNOLOGY | CK TECHNOLOGY | CK TECHNOLOGY



# eColor Blast Powercore

The world's leading exterior LED wash fixture with solid color light

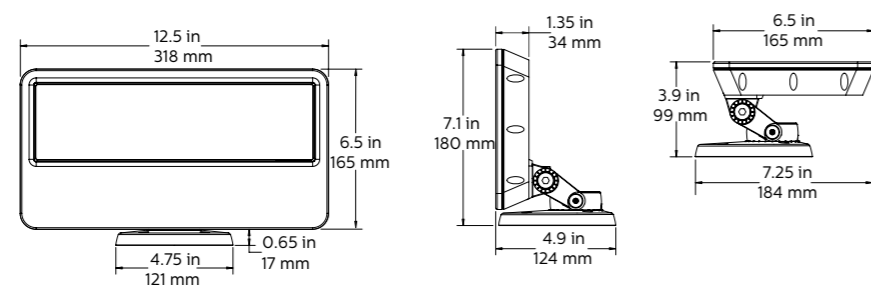
eColor Blast Powercore is an LED lighting fixture providing a high-intensity wash of colored light while offering superior energy efficiency. Rated for outdoor use, eColor Blast Powercore offers the efficiency and cost-effectiveness of Powercore technology in a rugged die-cast aluminum housing. eColor Blast Powercore is ideal for applications as diverse as highlighting architectural features, lighting signage, and accent lighting in retail and other interior spaces.

## Features and Benefits

- Integrates patented Powercore technology
- Extremely low-maintenance operation
- Versatile lighting options
- Flexible light positioning
- Support for multiple voltages
- Dimming capability

## Product size

All dimensions in millimeters



IP66

## Technical parameters

Item	eColor Blast Powercore
Beam Angle	10° / 23° / 36° / 86°
Input Voltage	100 / 120 / 240 / 277 VAC, auto-switching, 50 / 60 Hz
Power Consumption	50 W maximum at full output, steady state
Dimming	Compatible with selected commercially available reverse-phase ELV-type dimmers
Dimensions (Height x Width x Depth)	7.1 x 12.5 x 4.9 in (180 x 318 x 124 mm)
Weight	6.4 lb (2.9 kg)
Housing	Die-cast aluminium, powder-coated finish.
Lens	Clear tempered glass (10° and 86° beam angles) Frosted tempered glass (23° and 36° beam angles)
Fixture Connections	6 ft (1.8 m) unified power / data cable
Temperature Ranges	-40° – 122° F (-40° – 50° C) Operating -4° – 122° F (-20° – 50° C) Startup -40° – 176° F (-40° – 80° C) Storage
Humidity	0 – 95%, non-condensing
Certification	UL / cUL, FCC Class B, CE
Environment	Dry / Damp / Wet Location, IP66



OPTIBIN<sup>®</sup> | POWERCORE<sup>®</sup>  
CK TECHNOLOGY | CK TECHNOLOGY



# eColor Reach Powercore gen2

Premium long-throw exterior LED floodlight with solid color light

eColor Reach Powercore gen2 high-performance LED fixtures are premium exterior long-throw dynamic high-quality solid color luminaires for lighting tall buildings, bridges, and iconic structures. A full range of accessories allow for customizable beam angles for floodlighting, spotlighting, wall washing, and grazing, along with the efficiency and cost-effectiveness of Powercore technology in a rugged die-cast aluminum housing.

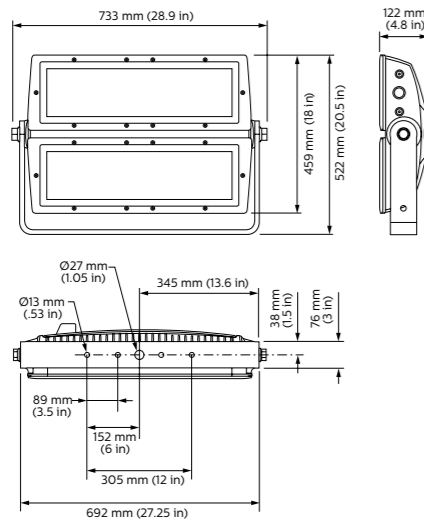
### Features and Benefits

- Superior color consistency and accuracy
- Dimming control via DMX
- Expanded customization with a wide range of new Philips accessory options
- Unparalleled light output
- Integrates patented Powercore technology that controls power output to fixtures directly from line voltage
- Simple fixture positioning
- Universal power input range of 100 – 277 VAC

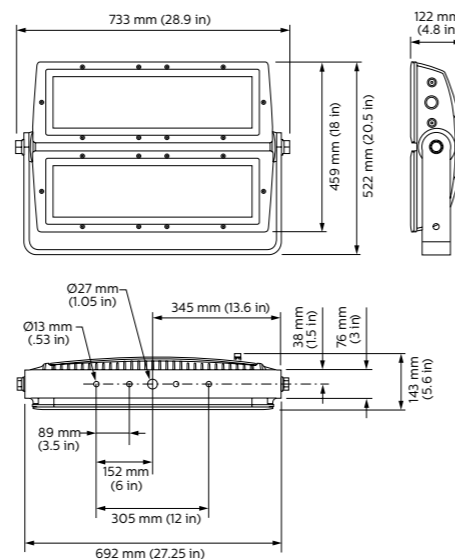
### Product size

All dimensions in millimeters

UL/CE



CQC



IP66

Technical parameters	
Item	eColor Reach Powercore gen2
Type	UL / CE, CQC
Beam Angle	5° primary optic (no spread lens) 8°/13°/23°/43°/63°/5° x 17° (asymmetric) spread lenses
Input Voltage	UL / CE : 100 – 277 VAC, auto-switching, 50 / 60 Hz CQC : 100 – 240 VAC, auto-switching, 50 / 60 Hz
Power Consumption	250 W maximum at full output, steady state On / Off; digital dimming by 4 connector cable & DE Pro
Power Factor	.989 @ 120 VAC
Control	On/Off; digital dimming by 4 connector cable & DE Pro
Dimensions (Height x Width x Depth)	522 x 733 x 122 mm (20.5 x 28.9 x 4.8 in)
Weight	34 kg (75 lb)
Effective Projected Area (EPA)	0.42 m <sup>2</sup>
Housing	Die-cast aluminium, powder-coated finish
Mechanical Impact	IK07
Lens	Tempered glass
Fixture Connections	UL / CE : Integral male/female waterproof connector CQC : 6 ft (1.8 m) unified power / data cable
Temperature Ranges	-40° – 50° C (-40° – 122° F) Operating -20° – 50° C (-4° – 122° F) Startup -40° – 80° C (-40° – 176° F) Storage
Humidity	0 – 95%, non-condensing
Fixture Run Lengths	To calculate fixture run lengths and total power consumption for your specific installation, download the Configuration Calculator from <a href="http://www.philipscolorkinetics.com/support/install_tool/">www.philipscolorkinetics.com/support/install_tool/</a>
Certification	UL / CE : UL / cUL, FCC Class A, CE, PSE CQC : FCC Class A, CE, PSE, CQC
Environment	Dry / Damp / Wet Location, IP66



OPTIBIN<sup>®</sup> | POWERCORE<sup>®</sup>  
CK TECHNOLOGY | CK TECHNOLOGY



# eColor Reach Compact Powercore

Premium long-throw compact exterior LED floodlight with solid color light

eColor Reach Compact Powercore high-performance LED fixtures are premium exterior long-throw dynamic high-quality solid color luminaires for lighting tall buildings, bridges, and iconic structures. A full range of accessories allow for customizable beam angles for floodlighting, spotlighting, wall washing, and grazing, along with the efficiency and cost-effectiveness of Powercore technology in a rugged die-cast aluminum housing

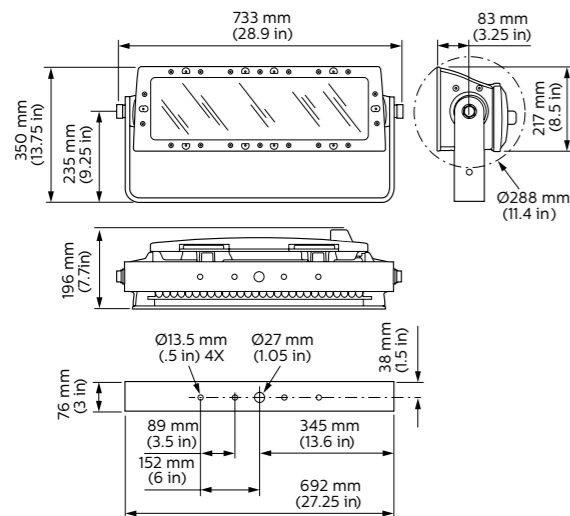
## Features and Benefits

- Superior color consistency and accuracy
- Dimming control via DMX
- Expanded customization with a wide range of new Philips accessory options
- Unparalleled light output
- Integrates patented Powercore technology that controls power output to fixtures directly from line voltage
- Simple fixture positioning
- Universal power input range of 100 – 277 VAC

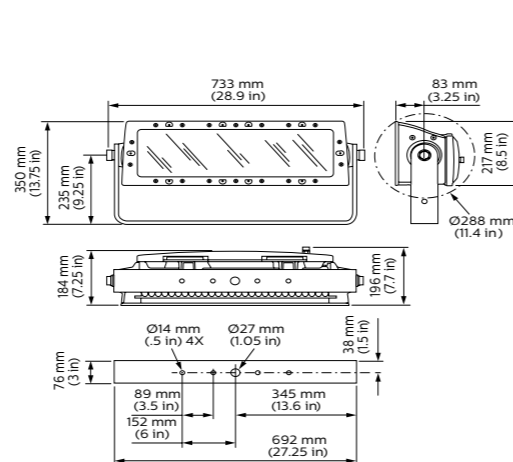
## Product size

All dimensions in millimeters

UL/CE



CQC



IP66

## Technical parameters

Item	eColor Reach Compact Powercore
Type	UL / CE, CQC
Beam Angle	5° Primary Optic (no spread lens) 8°, 13°, 23°, 43°, 63°, and 5° x 17° (asymmetric) spread lenses
Input Voltage	UL / CE : 100 – 277 VAC, auto-switching, 50 / 60 Hz CQC : 100 – 240 VAC, auto-switching, 50 / 60 Hz
Power Consumption	130 W maximum at full output, steady state
Power Factor	.989 @ 120 VAC
Control	On / Off; digital dimming by 4 connector cable & DE Pro
Dimensions (Height x Width x Depth)	350 x 733 x 196 mm (13.8 x 28.9 x 7.7 in)
Weight	23 kg (51 lb)
Effective Projected Area (EPA)	0.186 m <sup>2</sup>
Housing	Die-cast aluminium, powder-coated finish
Mechanical Impact	IK07
Lens	Tempered glass
Fixture Connections	UL / CE : Integral male/female waterproof connector CQC : Integral male/female waterproof connector, 1.8 m (6 ft) Leader Cable
Temperature Ranges	-40° – 50° C (-40° – 122° F) Operating -20° – 50° C (-4° – 122° F) Startup -40° – 80° C (-40° – 176° F) Storage
Humidity	0 – 95%, non-condensing
Fixture Run Lengths	To calculate fixture run lengths and total power consumption for your specific installation, download the Configuration Calculator from <a href="http://www.philipscolorkinetics.com/support/install_tool/">www.philipscolorkinetics.com/support/install_tool/</a>
Certification	UL / CE : UL/cUL, FCC Class A, CE, PSE CQC : CQC, FCC Class A, CE, PSE
Environment	Dry / Damp / Wet Location, IP66





# eColor Burst Powercore

Architectural and landscape LED spotlight with solid color light

eColor Burst Powercore is a high-output, exterior-rated LED lighting fixture designed for accent and site lighting. Architectural and Landscape versions deliver high-quality light output in red, green, blue, and amber to support a range of uplighting, floodlighting, and decorative lighting applications.

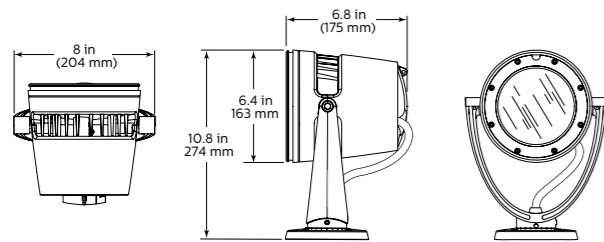
### Features and Benefits

- Integrates patented Powercore technology
- Flexible mounting in architectural applications
- Support for a wide range of landscape applications
- Exchangeable optics and accessories
- Versatile light positioning
- Universal power input range
- Dimming capability
- Outdoor rated

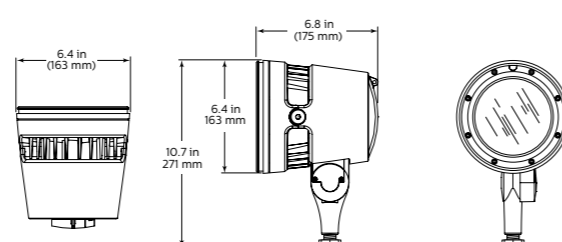
### Product size

All dimensions in millimeters

eColor Burst Powercore Architectural



eColor Burst Powercore Landscape



IP66

Technical parameters	
Item	eColor Burst Powercore
Beam Angle	8° primary optic 14° / 23° / 41° spread lenses 10° x 41° asymmetric spread lens
Input Voltage	100 – 277 VAC, auto-switching, 50 / 60 Hz
Power Consumption	30 W maximum at full output, steady state
Dimming	Compatible with selected commercially available reverse-phase ELV-type dimmers
Dimensions (Height x Width x Depth)	10.8 x 8.0 x 6.8 in (274 x 204 x 175 mm) Architectural 10.7 x 6.4 x 6.8 in (271 x 163 x 175 mm) Landscape
Weight	11 lb (5 kg) Architectural 7.4 lb (3.4 kg) Landscape
Housing	Die-cast aluminium, powder-coated finish
Lens	Tempered glass
Fixture Connections	6 ft (1.8 m) unified power / data cable with flying leads Architectural 6 in (152 mm) flying leads Landscape
Temperature Ranges	-40° – 122° F (-40° – 50° C) Operating -4° – 122° F (-20° – 50° C) Startup -40° – 176° F (-40° – 80° C) Storage
Vibration Resistance	ANSI C136.31 (Architectural only)
Humidity	0 – 95%, non-condensing
Certification	UL / cUL, FCC Class A, CE, C-Tick, CQC, SAA
Environment	Dry / Damp / Wet Location, IP66



# eColor Burst Compact Powercore

Architectural and landscape LED spotlight with solid color light

eColor Burst Powercore is a high-output, exterior-rated LED lighting fixture designed for accent and site lighting. Architectural and Landscape versions deliver high-quality light output in red, green, blue, and amber to support a range of uplighting, floodlighting, and decorative lighting applications.

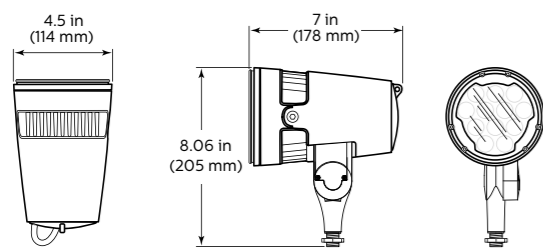
### Features and Benefits

- Integrates patented Powercore technology
- Flexible mounting in architectural applications
- Support for a wide range of landscape applications
- Exchangeable optics and accessories
- Versatile light positioning
- Universal power input range
- Dimming capability
- Outdoor rated

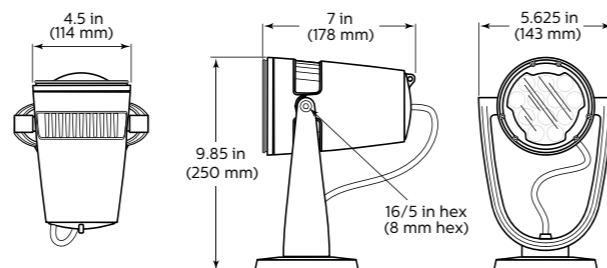
### Product size

All dimensions in millimeters

eColor Burst Compact Powercore Landscape



eColor Burst Compact Powercore Architectural



IP66

### Technical parameters

Item	eColor Burst Compact Powercore
Beam Angle	8° primary optic 14° / 23° / 41° spread lenses 10° x 41° asymmetric spread lens
Input Voltage	100 – 277 VAC, auto-switching, 50 / 60 Hz
Power Consumption	15 W maximum at full output, steady state
Dimming	Compatible with selected commercially available reverse-phase ELV-type dimmers
Dimensions (Height x Width x Depth)	9.85 x 4.5 x 7.0 in (250 x 114 x 178 mm) Architectural 8.06 x 4.5 x 7.0 in (205 x 114 x 178 mm) Landscape
Weight	8.7 lb (3.9 kg) Architectural 4.4 lb (2.0 kg) Landscape
Housing	Die-cast aluminium, powder-coated finish
Lens	Tempered glass
Fixture Connections	6 ft (1.8 m) unified power / data cable with flying leads Architectural 6 in (152 mm) flying leads Landscape
Temperature Ranges	-40° – 122° F (-40° – 50° C) Operating -4° – 122° F (-20° – 50° C) Startup -40° – 176° F (-40° – 80° C) Storage
Vibration Resistance	ANSI C136.31 (Architectural only)
Humidity	0 – 95%, non-condensing
Certification	UL / cUL, FCC Class A, CE, C-Tick, CQC, SAA
Environment	Dry / Damp / Wet Location, IP66



**DIMAND™** | **OPTIBIN™** | **POWERCORE™**  
CK TECHNOLOGY | CK TECHNOLOGY | CK TECHNOLOGY



# eColor Cove MX Powercore

Premium interior linear LED cove and accent fixture with solid color light

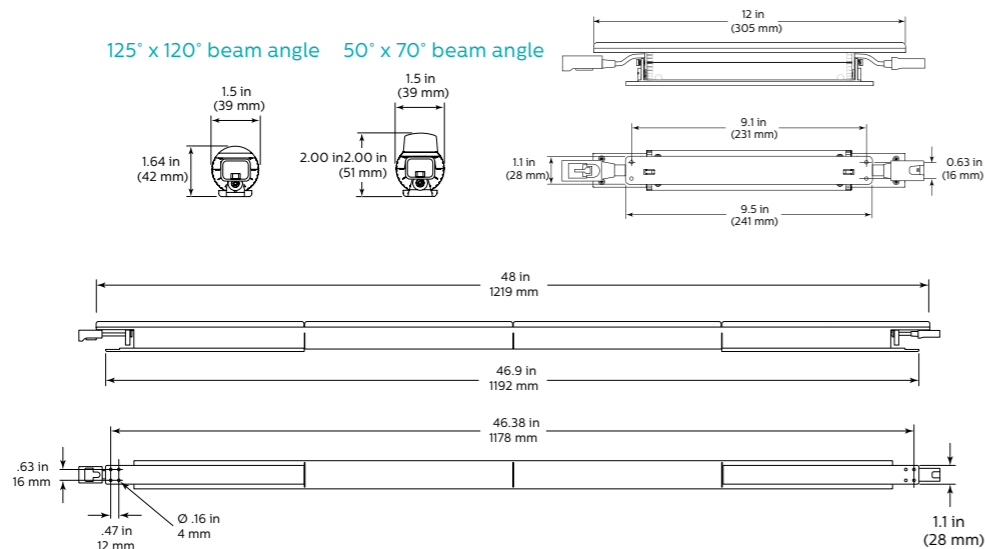
eColor Cove MX Powercore delivers the highest light output in the line of solid color linear cove lights from Philips Color Kinetics. With medium and wide beam angles and a range of fixed colors, eColor Cove MX Powercore can be used for accent lighting as well as wall and ceiling cove applications. eColor Cove MX Powercore offers environmentally conscious buyers a green, energy-efficient lighting solution without sacrificing quality or quantity of light.

### Features and Benefits

- Integrates patented Powercore technology
- Support for multiple voltages
- Dimming capability
- Simple installation
- Easy mounting and positioning

### Product size

All dimensions in millimeters



IP20

### Technical parameters

Item	eColor Cove MX Powercore		
Type	1 ft (305 mm), 4 ft (1.2 m)		
Beam Angle	125° x 120° / 50° x 70°		
Input Voltage	100 – 277 VAC, auto-ranging, 50 / 60 Hz		
Power Consumption Max. at full output, steady state	1 ft (305 mm) : 12.5 W (Red / Blue / Green), 10 W (Amber) 4 ft (1.2 m) : 50 W (Red / Blue / Green), 40 W (Amber)		
Dimming	Compatible with selected commercially available reverse-phase ELV-type dimmers		
Dimensions (Height x Width x Depth)	<b>Beam Angle</b>	<b>1 ft (305 mm)</b>	<b>4 ft (1.2 m)</b>
	125° x 120°	1.64 x 12 x 1.5 in (42 x 305 x 38 mm)	1.6 x 48 x 1.6 in (42 x 1219 x 41 mm)
Weight	<b>Beam Angle</b>	<b>1 ft (305 mm)</b>	<b>4 ft (1.2 m)</b>
	125° x 120°	0.82 lbs (372 g)	3.97 lbs (1.8 kg)
Housing	50° x 70°	1 lb (454 g)	4.41 lbs (2.0 kg)
	Die-cast aluminium, white powder-coated finish		
Lens	Polycarbonate		
Fixture Connections	Integral male / female connectors		
Temperature Ranges	-4° – 122° F (-20° – 50° C) Operating -4° – 122° F (-20° – 50° C) Startup -40° – 176° F (-40° – 80° C) Storage		
Humidity	0 – 95%, non-condensing		
Fixture Run Lengths	To calculate fixture run lengths and total power consumption for your specific installation, download the Configuration Calculator from <a href="http://www.philipscolorkinetics.com/support/install_tool/">www.philipscolorkinetics.com/support/install_tool/</a>		
Certification	UL / cUL, FCC Class B, CE, CCC, SAA, C-Tick		
Environment	Dry / Damp Location, IP20		



**DIMAND™** | **OPTIBIN™** | **POWERCORE™**  
CK TECHNOLOGY | CK TECHNOLOGY | CK TECHNOLOGY



# eColor Cove QLX Powercore

Performance linear interior LED cove and accent fixture with solid color light

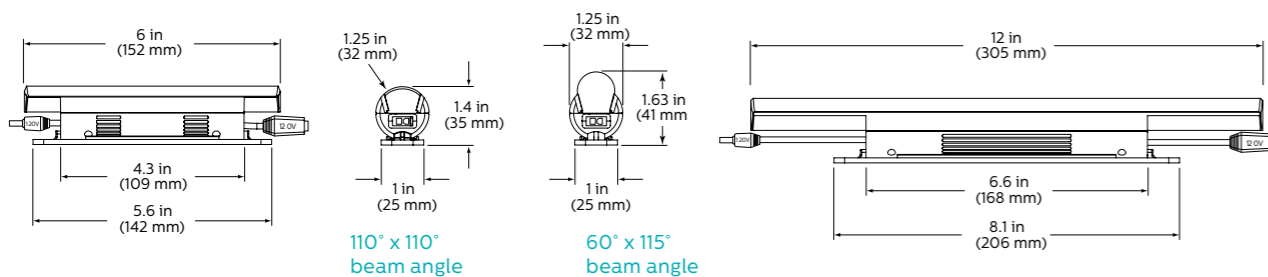
eColor Cove QLX Powercore represents the next generation of high-quality linear LED cove lighting from Philips Color Kinetics. This elegant, low-profile fixture delivers high-quality solid color light at an affordable price. eColor Cove QLX Powercore is designed to replace traditional cove lighting sources for wall and ceiling glow effects, wall washing, and indirect lighting from a single cove. Multiple colors, beam angles, and lengths afford an abundance of design options.

### Features and Benefits

- Multiple options for design flexibility
- Support for multiple voltages
- Compact and flexible
- Integrates patented Powercore technology
- Superior color consistency and accuracy
- Smooth dimming capability
- Simple installation
- Easy mounting and positioning

### Product size

All dimensions in millimeters



IP20

### Technical parameters

Item	eColor Cove QLX Powercore
Type	6 in (152 mm), 12 in (305 mm)
Beam Angle	110° x 110° (wide) / 60° x 115° (medium)
Input Voltage	100 / 120 / 220 – 240 VAC, 50 / 60 Hz
Power Consumption	<b>6 in (152 mm)</b> : 4.0 W maximum at full output, steady state <b>12 in (305 mm)</b> : 6.0 W maximum at full output, steady state
Dimming	Compatible with selected commercially available reverse-phase ELV-type dimmers
Dimensions (Height x Width x Depth)	<b>6 in (152 mm)</b> : 1.25 x 6 x 1.4 in (32 x 152 x 35 mm) <b>12 in (305 mm)</b> : 1.25 x 12 x 1.4 in (32 x 305 x 35 mm)
Weight	<b>6 in (152 mm)</b> : 0.19 lbs (85 g) <b>12 in (305 mm)</b> : 0.31 lbs (142 g)
Housing	Injection-molded plastic, white finish
Lens	Polycarbonate
Fixture Connections	Integral male / female connectors
Temperature Ranges	-4° – 122° F (-20° – 50° C) Operating -4° – 122° F (-20° – 50° C) Startup -40° – 176° F (-40° – 80° C) Storage
Humidity	0 – 95%, non-condensing
Maximum Fixture Run Lengths	<b>6 in (152 mm)</b> : 115 @ 120 VAC <b>12 in (305 mm)</b> : 85 @ 100 VAC <b>12 in (305 mm)</b> : 93 @ 120 VAC <b>12 in (305 mm)</b> : 134 @ 240 VAC
Certification	UL / cUL, FCC Class B, CE, SAA, C-Tick, CCC
Environment	Dry Location, IP20



**DIMAND™** | **OPTIBIN™** | **POWERCORE™**  
CK TECHNOLOGY | CK TECHNOLOGY | CK TECHNOLOGY



# eColor Cove EC Powercore

Cost-effective linear interior LED cove and accent fixture with solid color light

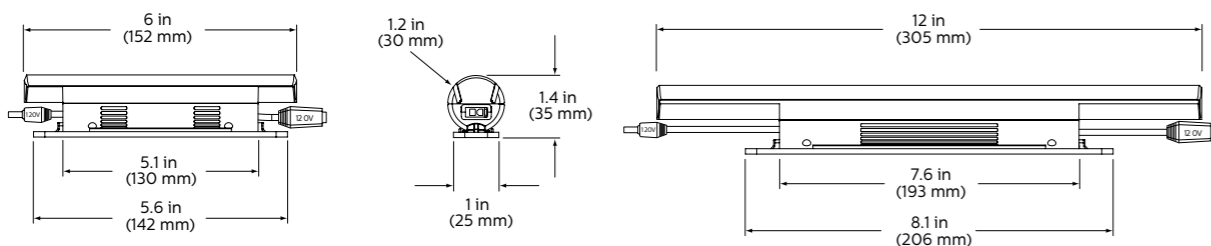
eColor Cove EC Powercore is a dimmable, linear LED fixture that provides an affordable, energy-efficient lighting in applications requiring saturated blue or amber light. With its low profile, rotating housing, and end-to-end locking power connectors, eColor Cove EC Powercore is the perfect choice for a wide range of interior retail, exhibit, hospitality, and architectural settings.

## Features and Benefits

- Integrates patented Powercore technology
- Support for multiple voltages
- Smooth dimming capability
- Easy installation
- Flexible mounting and positioning

## Product size

All dimensions in millimeters



IP20

## Technical parameters

Item	eColor Cove EC Powercore
Type	6 in (152 mm), 12 in (305 mm)
Beam Angle	110° x 110°
Input Voltage	<b>6 in (152 mm)</b> : 120 VAC, 50 / 60 Hz <b>12 in (305 mm)</b> : 100 / 120 / 220 – 240 VAC, 50 / 60 Hz
Power Consumption	<b>6 in (152 mm)</b> : 1.5 W maximum at full output, steady state <b>12 in (305 mm)</b> : 3.0 W maximum at full output, steady state
Power Factor	0.96 @ 120 VAC
Dimming	Compatible with selected commercially available reverse-phase (ELV-type) dimmers
Dimensions (Height x Width x Depth)	<b>6 in (152 mm)</b> : 1.25 x 6 x 1.4 in (32 x 152 x 35 mm) <b>12 in (305 mm)</b> : 1.25 x 12 x 1.4 in (32 x 305 x 35 mm)
Weight	<b>6 in (152 mm)</b> : 0.19 lbs (85 g) <b>12 in (305 mm)</b> : 0.31 lbs (142 g)
Housing	Injection-molded plastic, dark-gray finish
Lens	Clear polycarbonate
Fixture Connections	Integral male / female connectors
Temperature Ranges	-4° – 122° F (-20° – 50° C) Operating -4° – 122° F (-20° – 50° C) Startup -40° – 176° F (-40° – 80° C) Storage
Humidity	0 – 95%, non-condensing
Maximum Fixture Run Lengths	<b>6 in (152 mm)</b> : 191 @ 120 VAC <b>12 in (305 mm)</b> : 122 @ 100 VAC <b>12 in (305 mm)</b> : 134 @ 120 VAC <b>12 in (305 mm)</b> : 191 @ 240 VAC
Certification	UL / cUL, FCC Class B, CE, CCC, C-Tick, SAA
Environment	Dry Location, IP20
Energy Efficiency	California Title 24 Compliant