























## Color-Changing ColorKinetics

Our intelligent color-changing LED lighting systems offer intensely saturated, controllable light for interior and exterior architectural applications, intricate light shows, large-scale video, and dynamic accent lighting. Industry-leading RGBAW theatrical luminaires offer a significantly expanded color palette and enhanced color precision for professional stage and entertainment environments.

<p>ColorGraze MX4 Powercore</p>  <p><b>402</b></p>	<p>ColorGraze Powercore Family</p>  <p><b>404</b></p>	<p>ColorFuse Powercore</p>  <p><b>406</b></p>	<p>ColorBlast Powercore gen4</p>  <p><b>408</b></p>
<p>ColorBlast 12, ColorBlast 6</p>  <p><b>410</b></p>	<p>ColorReach Powercore gen2</p>  <p><b>412</b></p>	<p>ColorReach Compact Powercore</p>  <p><b>414</b></p>	<p>ColorBurst Powercore Gen2</p>  <p><b>416</b></p>
<p>ColorBurst Compact Powercore</p>  <p><b>418</b></p>	<p>ColorBurst 6</p>  <p><b>420</b></p>	<p>iColor MR gen3</p>  <p><b>422</b></p>	<p>C-Splash 2</p>  <p><b>424</b></p>
<p>iColor Cove MX Powercore</p>  <p><b>426</b></p>	<p>iColor Cove QLX Powercore</p>  <p><b>428</b></p>	<p>iColor Cove EC Powercore</p>  <p><b>430</b></p>	<p>iColor Cove QLX</p>  <p><b>432</b></p>
<p>iColor Cove EC</p>  <p><b>434</b></p>	<p>iColor Flex LMX gen2</p>  <p><b>436</b></p>	<p>iColor Flex MX gen2</p>  <p><b>438</b></p>	<p>iColor Accent MX Powercore</p>  <p><b>440</b></p>
<p>iColor Accent Compact</p>  <p><b>442</b></p>	<p>ArchiPoint iColor Powercore</p>  <p><b>444</b></p>		



CHROMACORE<sup>™</sup> | O P T I B I N<sup>™</sup> | POWERCORE<sup>™</sup> | CHROMASYNC<sup>™</sup>  
CK TECHNOLOGY CK TECHNOLOGY CK TECHNOLOGY CK TECHNOLOGY



# ColorGraze MX4 Powercore

Exterior premium LED wall grazing fixtures with extended color range

**ActiveSite** system compatible

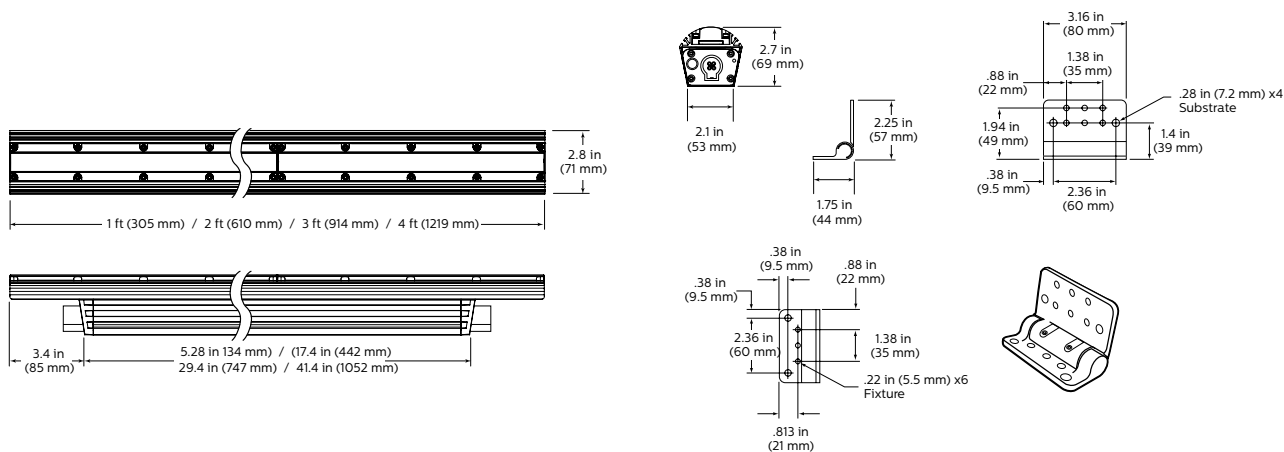
The new ColorGraze MX4 Powercore family extends the range and flexibility of the popular line of high-performance, full-color LED grazing fixtures from Philips Color Kinetics. These intelligent RGBW or RGBA fixtures offer an expanded palette of intensely saturated full-color light output in a variety of beam angles. Low-profile housing, connectorized cabling, a universal power input range, and direct line-voltage operation make ColorGraze MX4 Powercore fixtures easy to install and operate. Custom lengths, LED channels, beam angles, housing colors, and power consumption levels produce hundreds of possible configurations and light distribution patterns to support virtually any façade or surface illumination application.

### Features and Benefits

- Tailor light output to specific applications
- High-performance illumination and beam quality
- Flexible color control
- Integrates Powercore technology
- Versatile installation options
- Superior color consistency and accuracy
- Industry-leading controls
- Universal power input range
- Custom configurations for special applications

### Product size

All dimensions in millimeters



IP66 70Khrs

### Technical parameters

Product Name	ColorGraze MX4 Powercore						
Type	1 ft (305 mm), 2 ft (610 mm), 3 ft (914 mm), 4 ft (1219 mm)						
Beam Angle	9° x 9° 10° x 60° 15° x 30° 30° x 60° 60° x 30°						
Fixture	RGBW, RGBA						
Lumens	RGBW	Fixture	Beam Angle	1 ft (305 mm)	2 ft (610 mm)	3 ft (914 mm)	4 ft (1219 mm)
			9° x 9°	655	1310	1965	2620
			10° x 60°	619	1238	1857	2476
			15° x 30°	622	1244	1866	2488
			30° x 60°	628	1256	1884	2512
		60° x 30°	634	1268	1902	2536	
	RGBA		9° x 9°	566	1132	1698	2264
			10° x 60°	543	1086	1629	2172
			15° x 30°	555	1110	1665	2220
			30° x 60°	547	1094	1641	2188
		60° x 30°	561	1122	1683	2244	
LED Channels	Red / Green / Blue / 4000 K Red / Green / Blue / Amber						
Lumen Maintenance	70,000 hours L70 @ 25° C 65,000 hours L70 @ 50° C			75,000 hours L50 @ 25° C 70,000 hours L50 @ 50° C			
Input Voltage	100 – 277 VAC, auto-ranging, 50 / 60 Hz						
Power Consumption (Max. at full output, steady state)	1 ft (305 mm) : 18.5 W 2 ft (610 mm) : 37 W 3 ft (914 mm) : 55.5 W 4 ft (1219 mm) : 74 W						
Interface	Data Enabler Pro (DMX or Ethernet)						
Control System	Philips Color Kinetics full range of controllers, including Light System Manager, iPlayer 3, and ColorDial Pro, or third-party controllers						
Dimensions (Height x Width x Depth)	1 ft (305 mm) : 2.7 x 12 x 2.8 in (69 x 305 x 71 mm) 2 ft (610 mm) : 2.7 x 24 x 2.8 in (69 x 610 x 71 mm) 3 ft (914 mm) : 2.7 x 36 x 2.8 in (69 x 914 x 71 mm) 4 ft (1219 mm) : 2.7 x 48 x 2.8 in (69 x 1219 x 71 mm)						
Weight	1 ft (305 mm) : 2.1 lb (1.0 kg) 2 ft (610 mm) : 4.6 lb (2.1 kg) 3 ft (914 mm) : 7.1 lb (3.2 kg) 4 ft (1219 mm) : 9.3 lb (4.2 kg)						
Housing	Extruded anodized aluminum						
Lens	Clear polycarbonate						
Fixture Connectors	Integral male / female waterproof connectors						
Mounting	Multi-positional, constant torque locking hinges						
Temperature	-40° – 122° F (-40° – 50° C) Operating -4° – 122° F (-20° – 50° C) Startup -40° – 176° F (-40° – 80° C) Storage						
Humidity	0 – 95%, non-condensing						
Fixture Run Lengths	To calculate fixture run lengths and total power consumption for your specific installation, download the Configuration Calculator from <a href="http://www.philipscolorkinetics.com/support/install_tool/">www.philipscolorkinetics.com/support/install_tool/</a>						
Certification	UL / cUL, FCC Class A, CE, PSE, C-Tick, CQC						
Environment	Dry / Damp / Wet Location, IP66						



CHROMACORE<sup>®</sup> CK TECHNOLOGY | OPTIBIN<sup>®</sup> CK TECHNOLOGY | POWERCORE<sup>®</sup> CK TECHNOLOGY



# ColorGraze Powercore Family

Linear exterior LED wall grazing fixtures with intelligent color light

**ActiveSite** system compatible

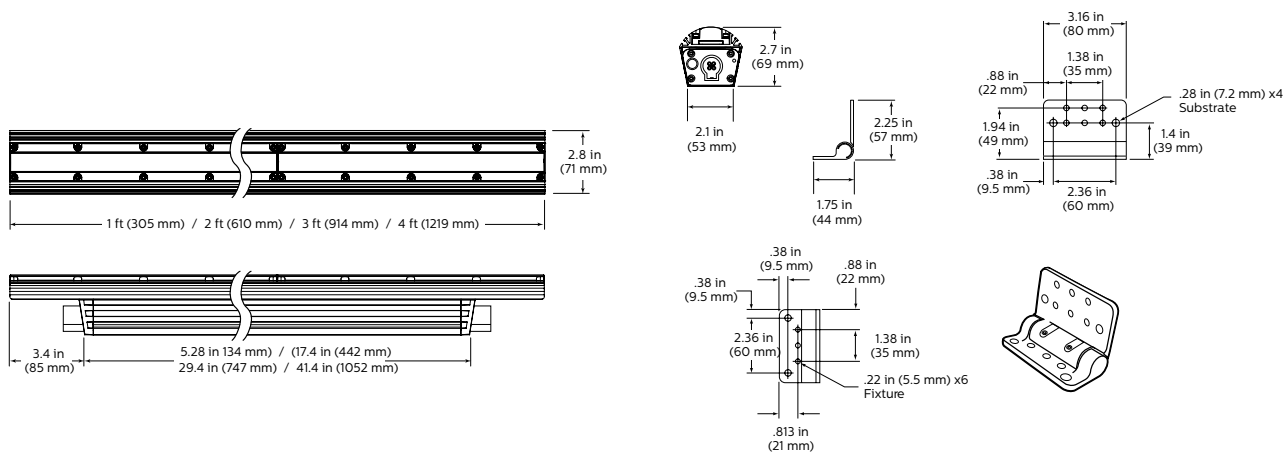
The new ColorGraze Powercore family dramatically extends the range and flexibility of the popular line of high-performance, full-color LED grazing fixtures from Philips Color Kinetics. These intelligent, high-performance fixtures offer intensely saturated full-color light output in a range of fixture lengths, beam angles, output levels, and power consumption levels. Low profile housing, connectorized cabling, a universal power input range, and direct line-voltage operation make ColorGraze Powercore fixtures easy to install and operate. Custom lengths, color temperatures, beam angles, housing colors, and power consumption levels produce hundreds of possible configurations and light distribution patterns to support virtually any façade or surface illumination application.

## Features and Benefits

- Tailor light output to specific applications
- High-performance illumination and beam quality
- Integrates Powercore technology
- Versatile installation options
- Superior color consistency and accuracy
- Industry-leading controls
- Universal power input range
- Custom configurations for special applications

## Product size

All dimensions in millimeters



IP66 80Khrs

Technical parameters					
Item	ColorGraze MX Powercore ColorGraze QLX Powercore		ColorGraze QLX Powercore 5W ColorGraze EC Powercore		
Type	1 ft (305 mm), 2 ft (610 mm), 3 ft (914 mm), 4 ft (1219 mm)				
Beam Angle	9° x 9° 10° x 60°	15° x 30° 30° x 60°	60° x 30°		
Lumens	<b>ColorGraze MX Powercore</b>				
	<b>Beam Angle</b>	<b>1 ft (305 mm)</b>	<b>2 ft (610 mm)</b>	<b>3 ft (914 mm)</b>	<b>4 ft (1219 mm)</b>
	9° x 9°	503	1006	1509	2012
	10° x 60°	476	952	1428	1904
	15° x 30°	496	992	1488	1984
	30° x 60°	488	976	1464	1952
	60° x 30°	516	1032	1548	2064
	<b>ColorGraze QLX Powercore</b>				
	<b>Beam Angle</b>	<b>1 ft (305 mm)</b>	<b>2 ft (610 mm)</b>	<b>3 ft (914 mm)</b>	<b>4 ft (1219 mm)</b>
	9° x 9°	415	830	1245	1660
	10° x 60°	408	816	1224	1632
	15° x 30°	407	814	1221	1628
	30° x 60°	396	792	1188	1584
	60° x 30°	411	822	1233	1644
	<b>ColorGraze QLX Powercore 5W</b>				
<b>Beam Angle</b>	<b>1 ft (305 mm)</b>	<b>2 ft (610 mm)</b>	<b>3 ft (914 mm)</b>	<b>4 ft (1219 mm)</b>	
9° x 9°	136	272	408	544	
10° x 60°	127	254	381	508	
15° x 30°	128	256	384	512	
30° x 60°	129	258	387	516	
60° x 30°	130	260	390	520	
<b>ColorGraze EC Powercore</b>					
<b>Beam Angle</b>	<b>1 ft (305 mm)</b>	<b>2 ft (610 mm)</b>	<b>3 ft (914 mm)</b>	<b>4 ft (1219 mm)</b>	
9° x 9°	241	482	723	964	
LED Channels	Red / Green / Blue				
Lumen Maintenance	80,000 hours L70 @ 25° C 60,000 hours L70 @ 50° C		100,000 hours L50 @ 25° C 80,000 hours L50 @ 50° C		
Input Voltage	100 – 277 VAC, auto-ranging, 50 / 60 Hz				
Power Consumption	<b>ColorGraze MX Powercore</b>				
	<b>1 ft (305 mm)</b> : 20 W max. at full output, steady state		<b>3 ft (914 mm)</b> : 60 W max. at full output, steady state		
	<b>2 ft (610 mm)</b> : 40 W max. at full output, steady state		<b>4 ft (1219 mm)</b> : 80 W max. at full output, steady state		
	<b>ColorGraze QLX Powercore</b>				
	<b>1 ft (305 mm)</b> : 15 W max. at full output, steady state		<b>3 ft (914 mm)</b> : 45 W max. at full output, steady state		
	<b>2 ft (610 mm)</b> : 30 W max. at full output, steady state		<b>4 ft (1219 mm)</b> : 60 W max. at full output, steady state		
Power Consumption	<b>ColorGraze QLX Powercore 5W</b>				
	<b>1 ft (305 mm)</b> : 5 W max. at full output, steady state		<b>3 ft (914 mm)</b> : 15 W max. at full output, steady state		
	<b>2 ft (610 mm)</b> : 10 W max. at full output, steady state		<b>4 ft (1219 mm)</b> : 20 W max. at full output, steady state		
Power Consumption	<b>ColorGraze EC Powercore</b>				
	<b>1 ft (305 mm)</b> : 10 W max. at full output, steady state		<b>3 ft (914 mm)</b> : 30 W max. at full output, steady state		
	<b>2 ft (610 mm)</b> : 20 W max. at full output, steady state		<b>4 ft (1219 mm)</b> : 40 W max. at full output, steady state		
Interface	Data Enabler Pro (DMX or Ethernet)				
Control System	Philips Color Kinetics full range of controllers, including Light System Manager, iPlayer 3, and ColorDial Pro, or third-party controllers				
Dimensions (Height x Width x Depth)	<b>1 ft (305 mm)</b> : 2.7 x 12 x 2.8 in (69 x 305 x 71 mm)		<b>3 ft (914 mm)</b> : 2.7 x 36 x 2.8 in (69 x 914 x 71 mm)		
Dimensions (Height x Width x Depth)	<b>2 ft (610 mm)</b> : 2.7 x 24 x 2.8 in (69 x 610 x 71 mm)		<b>4 ft (1219 mm)</b> : 2.7 x 48 x 2.8 in (69 x 1219 x 71 mm)		
Weight	<b>1 ft (305 mm)</b> : 2.1 lb (1.0 kg) <b>2 ft (610 mm)</b> : 4.6 lb (2.1 kg)		<b>3 ft (914 mm)</b> : 7.1 lb (3.2 kg) <b>4 ft (1219 mm)</b> : 9.3 lb (4.2 kg)		
Housing	Extruded anodized aluminum				
Lens	Clear polycarbonate				
Fixture Connectors	Integral male / female waterproof connectors				
Mounting	Multi-positional, constant torque locking hinges				
Temperature	-40° – 122° F (-40° – 50° C)		-4° – 122° F (-20° – 50° C)		
Humidity	0 – 95%, non-condensing				
Fixture Run Lengths	To calculate fixture run lengths and total power consumption for your specific installation, download the Configuration Calculator from <a href="http://www.philipscolorkinetics.com/support/install_tool/">www.philipscolorkinetics.com/support/install_tool/</a>				
Certification	UL / cUL, FCC Class A, CE, PSE, C-Tick				
Environment	Dry / Damp / Wet Location, IP66				



CHROMACORE<sup>®</sup> CK TECHNOLOGY | OPTIBIN<sup>®</sup> CK TECHNOLOGY | POWERCORE<sup>®</sup> CK TECHNOLOGY



# ColorFuse Powercore

Linear interior LED wall grazing fixture with intelligent color light

**ActiveSite** system compatible

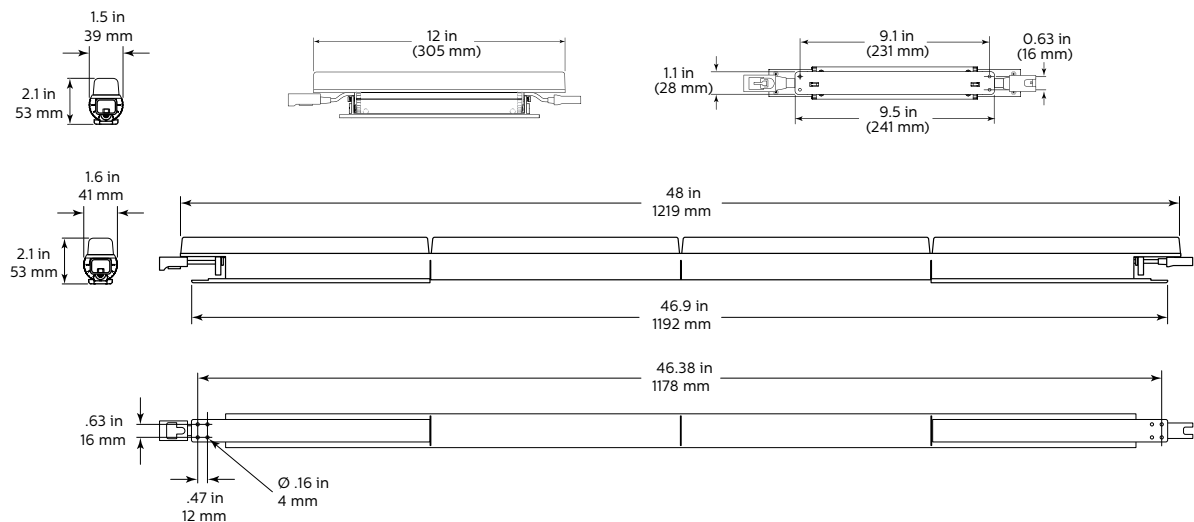
With narrow and medium beams of high-quality color-changing light, ColorFuse Powercore is an excellent choice for a full range of surface grazing, wall-washing, and accent lighting applications. Its ultra-compact form factor permits installation in tight spaces too small to accommodate conventional grazing fixtures that offer similar level and distribution of light. ColorFuse Powercore combines professional-grade color mixing and output with the efficiency and cost-effectiveness provided by Powercore technology.

### Features and Benefits

- High-performance illumination
- Superior color consistency
- Advanced color mixing
- Integrates Powercore technology
- Industry-leading controls
- Universal power input range
- Easy installation
- Flexible mounting and positioning

### Product size

All dimensions in millimeters



IP20 90Khrs

Technical parameters	
Item	ColorFuse Powercore
Type	1 ft (305 mm), 4 ft (1.2 m)
Lumens	<b>1 ft (305 mm)</b> : 384 (10° x 60° beam angle) <b>1 ft (305 mm)</b> : 380 (30° x 60° beam angle) <b>4 ft (1.2 m)</b> : 1407 (10° x 60° beam angle) <b>4 ft (1.2 m)</b> : 1391 (30° x 60° beam angle)
Lumen Maintenance	50,000 hours L70 @ 25° C 37,000 hours L70 @ 50° C 90,000 hours L50 @ 25° C 80,000 hours L50 @ 50° C
LED Channels	Red / Green / Blue
Input Voltage	100 – 240 VAC, auto-switching, 50 / 60 Hz
Power Consumption	<b>1 ft (305 mm)</b> : 12.5 W maximum at full output, steady state <b>4 ft (1.2 m)</b> : 50 W maximum at full output, steady state
Interface	Data Enabler Pro (DMX or Ethernet)
Control System	Philips full range of controllers, including Light System Manager, iPlayer 3, and ColorDial Pro, or third-party controllers
Dimensions (Height x Width x Depth)	<b>1 ft (305 mm)</b> : 2.1 x 12 x 1.5 in (53 x 305 x 39 mm) <b>4 ft (1.2 m)</b> : 2.1 x 48 x 1.5 in (53 x 1219 x 39 mm)
Weight	<b>1 ft (305 mm)</b> : 0.98 lbs (.45 kg) <b>4 ft (1.2 m)</b> : 4.37 lbs (1.98 kg)
Housing	Die-cast aluminium, powder-coated finish
Lens	Polycarbonate
Fixture Connections	Integral male / female connectors
Temperature Ranges	-4° – 122° F (-20° – 50° C) Operating -4° – 122° F (-20° – 50° C) Startup -40° – 176° F (-40° – 80° C) Storage
Humidity	0 – 95%, non-condensing
Fixture Run Lengths	To calculate fixture run lengths and total power consumption for your specific installation, download the Configuration Calculator from <a href="http://www.philipscolorkinetics.com/support/install_tool/">www.philipscolorkinetics.com/support/install_tool/</a>
Certification	UL / cUL, FCC Class B, CE, PSE, CCC, C-Tick, SAA
Environment	Dry / Damp Location, IP20



CHROMACORE<sup>®</sup> | O P T I B I N<sup>®</sup> | POWERCORE<sup>®</sup>  
CK TECHNOLOGY | CK TECHNOLOGY | CK TECHNOLOGY



# ColorBlast Powercore gen4

Customizable exterior LED flood fixture with intelligent color light

## ActiveSite system compatible

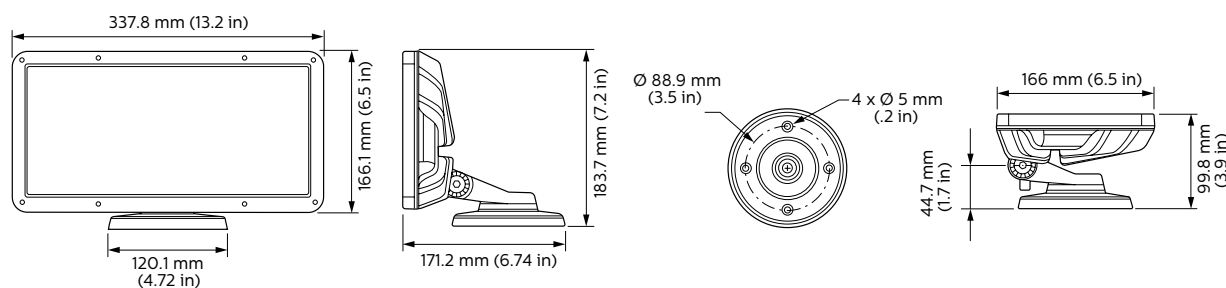
ColorBlast Powercore gen4 high-performance LED fixtures combine white and rich, saturated, color and color-changing effects with simplified installation. ColorBlast Powercore gen4 offers a range of accessories that allow for customizable beam angles for floodlighting, spotlighting, wall washing, and grazing, along with the efficiency and cost-effectiveness of Powercore technology in a rugged die-cast aluminum housing.

## Features and Benefits

- Expands customization with a wide range of new Philips accessory options
- Improves color consistency between all LED fixtures in a family with Chromasync technology
- Meets ASTM B117 standard for > 1,500 hours of corrosion resistance and ANSI C136.31-2010 standard with a 3G vibration rating
- Features an innovative, redesigned optical system that improves the quality of light from each LED
- Improves durability with new flat lens that prevents water from pooling into the fixture
- Integrates patented Powercore technology that controls power output to fixtures directly from line voltage
- Universal power input range of 100 – 277 VAC
- Works seamlessly with the complete Philips Color Kinetics line of controllers, including ColorDial Pro, iPlayer 3, and Light System Manager—as well as third-party controllers

## Product size

All dimensions in millimeters



IP66

48Khrs

## Technical parameters

Item	ColorBlast Powercore gen4
Beam Angle	10° primary optic (no diffuser) Optional diffusers: 20° / 40° / 60° / 80° / 10° x 40° (asymmetric)
LED Channels	RGB, RGBA, RGBW
Lumens	RGB : 1,755 RGBA : 1,852 RGBW : 2,162
Efficacy	RGB : 35.1 RGBA : 35 RGBW : 40.8
Lumen Maintenance	48,000+ hours L70 @ 50° C
Effective Projected Area (EPA)	0.096 m <sup>2</sup>
Input Voltage	100 – 277 VAC, auto-switching, 50 / 60 Hz via Data Enabler Pro
Power Consumption	50 W maximum at full output, steady state
Power Factor	0.9 @ 120 VAC, 0.85 @ 277 VAC
Interface	Data Enabler Pro (DMX/Ethernet)
Control System	Philips full range of controllers, including Light System Manager, iPlayer 3, and ColorDial Pro, or third-party controllers
Dimensions (Height x Width x Depth)	185 x 338 x 171 mm (7.3 x 13.3 x 6.75 in)
Weight	3.9 kg (8.2 lb)
Housing	Die-cast aluminium, powder-coated finish
Lens	Clear tempered glass
Fixture Connections	1.8 m (6 ft) combined power data whip
Temperature Ranges	-40° – 50° C (-40° – 122° F) Operating -20° – 50° C (-4° – 122° F) Startup -40° – 80° C (-40° – 176° F) Storage
Humidity	0 – 95%, non-condensing
Fixture Run Lengths	To calculate fixture run lengths and total power consumption for your specific installation, download the Configuration Calculator from <a href="http://www.philipscolorkinetics.com/support/install_tool/">www.philipscolorkinetics.com/support/install_tool/</a>
Certification	UL/cUL, FCC Class A, CE, PSE, CQC, RCM, EAC, UA
Environment	Dry / Damp / Wet Location, IP66
Corrosion Resistance	ASTM B117 > 1,500 hours
Vibration Resistance	ANSI C136.31-2010 3G
Mechanical Impact	IK10





CHROMACORE<sup>®</sup> | OPTIBIN<sup>®</sup>  
CK TECHNOLOGY | CK TECHNOLOGY



# ColorBlast 12, ColorBlast 6

The original exterior LED wash fixture with intelligent color light

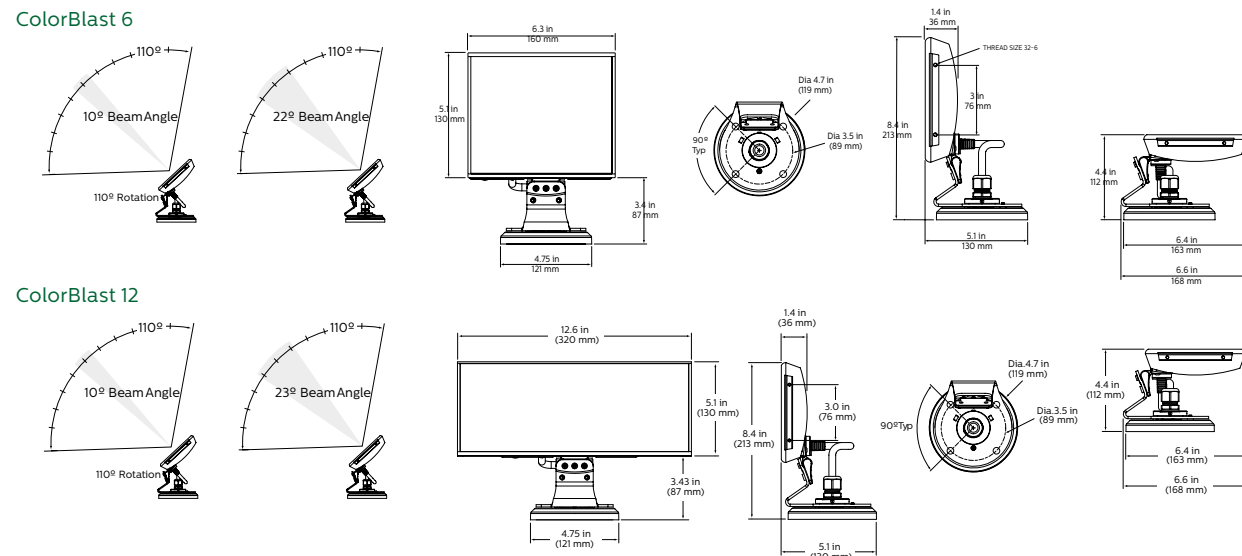
High-performance ColorBlast LED fixtures generate rich, saturated colors and color-changing effects for a range of wall-washing and floodlighting applications. Designed with the needs of lighting designers, architects, and retail window directors in mind, ColorBlast can be used in both indoor and outdoor installations. ColorBlast 12 high-intensity LEDs produce superior light output of over 1200 lumens, while ColorBlast 6 produces a lower intensity output in a compact, low-profile housing. Both versions offer full pan and tilt rotation, flexible mounting options, two beam angles, and superior control through Philips or third-party DMX controllers.

### Features and Benefits

- Two beam patterns
- Flexible mounting options
- Versatile light positioning
- Industry-leading controls
- Additional options for controlling and dispersing light

### Product size

All dimensions in millimeters



IP66 50Khrs

### Technical parameters

Item	ColorBlast 6 , ColorBlast 12
Beam Angle	<b>ColorBlast 6</b> : 10° / 21° <b>ColorBlast 12</b> : 10° / 22°
LED Channels	Red / Green / Blue
Lumens	<b>ColorBlast 6</b> : 584 (10° beam angle) <b>ColorBlast 6</b> : 534 (21° beam angle) <b>ColorBlast 12</b> : 1207 (10° beam angle) <b>ColorBlast 12</b> : 1090 (22° beam angle)
Mixing Distance	6 in (152 mm) to uniform light
Lumen Maintenance	50,000+ hours L50 @ 50° C (full output)
Input Voltage	24 VDC via PDS-150e or PDS-60
Power Consumption	<b>ColorBlast 6</b> : 25 W maximum at full output, steady state <b>ColorBlast 12</b> : 50 W maximum at full output, steady state
Interface	PDS-150e 24V (DMX or Ethernet) PDS-60 24V (DMX, Pre-programmed, or Ethernet)
Control System	Philips full range of controllers, including Light System Manager, iPlayer 3, and ColorDial Pro, or third-party controllers
Dimensions (Height x Width x Depth)	<b>ColorBlast 6</b> : 8.4 x 6.3 x 5.1 in (213 x 160 x 130 mm) <b>ColorBlast 12</b> : 8.4 x 12.6 x 5.1 in (213 x 320 x 130 mm)
Weight	<b>ColorBlast 6</b> : Net: 6.5 lb (2.95 kg) <b>ColorBlast 6</b> : Gross: 8.4 lb (3.8 kg) <b>ColorBlast 12</b> : Net: 8 lb (3.65 kg) <b>ColorBlast 12</b> : Gross: 9.8 lb (4.45 kg)
Housing	Die-cast aluminium, black or white powder-coated finish
Lens	<b>ColorBlast 6</b> : Clear glass (10° beam angle) <b>ColorBlast 6</b> : Frosted glass (21° beam angle) <b>ColorBlast 12</b> : Clear glass (10° beam angle) <b>ColorBlast 12</b> : Frosted glass (22° beam angle)
Fixture Connections	60 ft (18.3 m) unified power / data cable
Temperature Ranges	-40° – 122° F (-40° – 50° C) Operating -4° – 122° F (-20° – 50° C) Startup -40° – 176° F (-40° – 80° C) Storage
Humidity	0 – 95%, non-condensing
Maximum Fixtures Per Power / Data Supply	<b>ColorBlast 6</b> : PDS-150e 24V: 6 <b>ColorBlast 6</b> : PDS-60 24V: 2 <b>ColorBlast 12</b> : PDS-150e 24V: 3 <b>ColorBlast 12</b> : PDS-60 24V: 1
Certification	UL / cUL, FCC Class A, CE, PSE, C-Tick, SAA, CQC
Environment	Dry / Damp / Wet Location, IP66



# ColorReach Powercore gen2

Premium long-throw exterior LED floodlight with intelligent color light

**ActiveSite** system compatible

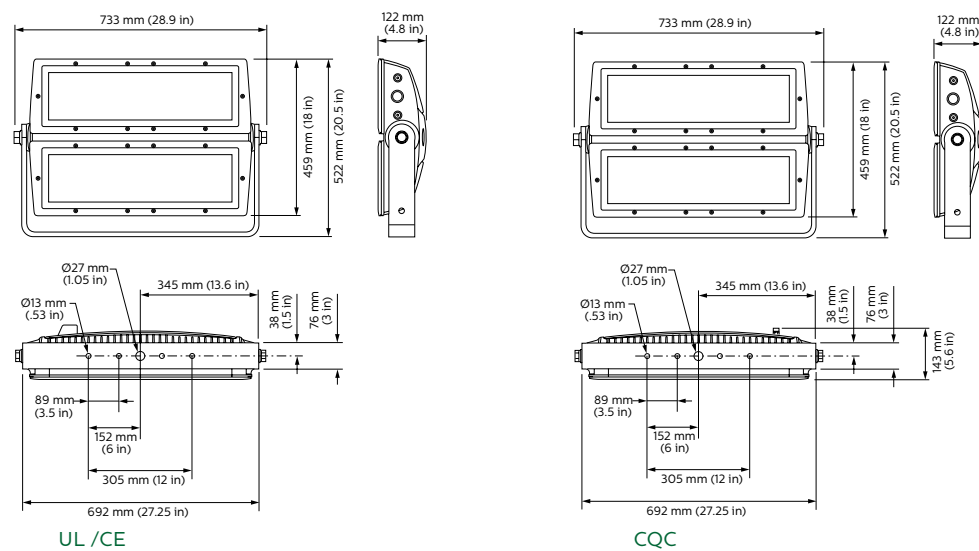
ColorReach Powercore gen2 high-performance LED fixtures are premium exterior long-throw dynamic color changing luminaires for lighting tall buildings, bridges, and iconic structures. ColorReach Powercore gen2 offers a range of accessories that allow for customizable beam angles for floodlighting, spotlighting, wall washing, and grazing, along with the efficiency and cost-effectiveness of Powercore technology in a rugged die-cast aluminum housing.

**Features and Benefits**

- Improved color mixing
- Unparalleled light output
- Expanded customization with a wide range of new Philips accessory options
- Superior color consistency and accuracy
- Integrates patented Powercore technology that controls power output to fixtures directly from line voltage
- Simple fixture positioning
- Universal power input range of 100 – 277 VAC
- Works seamlessly with the complete Philips Color Kinetics line of controllers, including ColorDial Pro, iPlayer 3, and Light System Manager—as well as third-party controllers

**Product size**

All dimensions in millimeters



IP66 100Khrs

Technical parameters	
Item	ColorReach Powercore gen2
Type	UL / CE, CQC
Beam Angle	5° primary optic (no spread lens) 8° / 13° / 23° / 43° / 63° / 5° x 17° (asymmetric) spread lenses
Lumens	9,380 (full unit, no spread lens), 10,144 (RGBA), 11,432 (RGBW)
LED Channels	Red/Green/Blue/Amber, Red/Green/Blue/4000 K
Lumen Maintenance	100,000 hours L70 @ 25° C 100,000 hours L70 @ 50° C
Input Voltage	<b>UL / CE</b> : 100 – 277 VAC, auto-switching, 50 / 60 Hz <b>CQC</b> : 100 – 240 VAC, auto-switching, 50 / 60 Hz
Power Consumption	<b>UL / CE</b> : 270 W maximum at full output, steady state <b>CQC</b> : 290 W maximum at full output, steady state
Interface	Data Enabler Pro (DMX / Ethernet)
Control System	Philips Color Kinetics full range of controllers, including Light System Manager, iPlayer 3, and ColorDial Pro, or third-party controllers
Dimensions (Height x Width x Depth)	522 x 733 x 122 mm (20.5 x 28.9 x 4.8 in)
Weight	34 kg (75 lb)
Effective Projected Area (EPA)	0.42 m <sup>2</sup>
Housing	Die-cast aluminium, powder-coated finish
Mechanical Impact	IK07
Lens	Tempered glass
Fixture Connections	<b>UL / CE</b> : Integral male/female waterproof connector <b>CQC</b> : Integral male/female waterproof connector, 6 ft (1.8 m) unified power/data cable
Temperature Ranges	-40° – 50° C (-40° – 122° F) Operating -20° – 50° C (-4° – 122° F) Startup -40° – 80° C (-40° – 176° F) Storage
Humidity	0 – 95%, non-condensing
Fixture Run Lengths	To calculate fixture run lengths and total power consumption for your specific installation, download the Configuration Calculator from <a href="http://www.philipscolorkinetics.com/support/install_tool/">www.philipscolorkinetics.com/support/install_tool/</a>
Certification	<b>UL / CE</b> : UL / cUL, FCC Class A, CE, PSE <b>CQC</b> : CQC, FCC Class A, CE, PSE, C-Tick
Environment	Dry / Damp / Wet Location, IP66



CHROMACORE<sup>®</sup> CK TECHNOLOGY | OPTIBIN<sup>®</sup> CK TECHNOLOGY | POWERCORE<sup>®</sup> CK TECHNOLOGY



# ColorReach Compact Powercore

Premium long-throw exterior LED floodlight with intelligent color light

**ActiveSite** system compatible

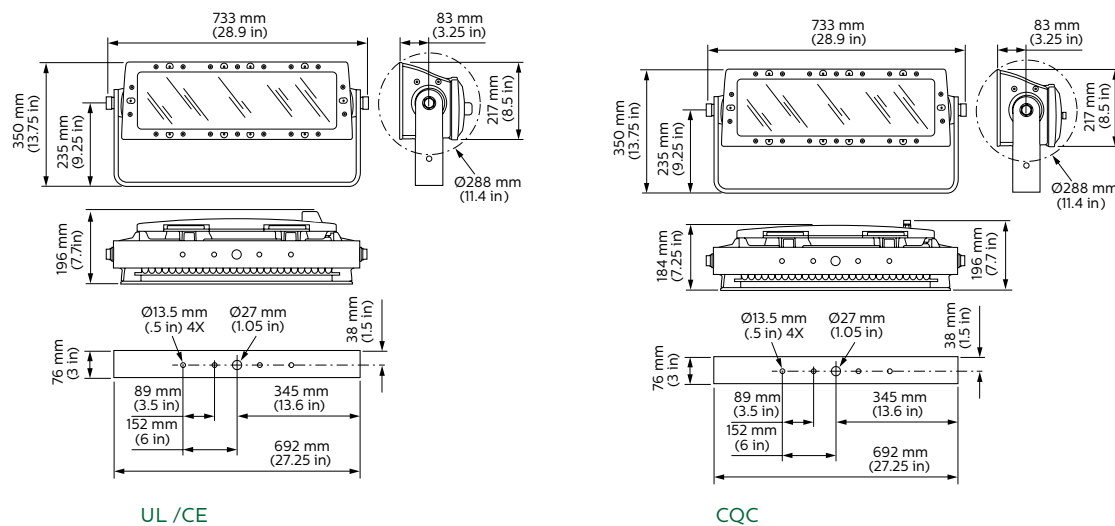
ColorReach Compact Powercore high-performance LED fixtures are premium exterior long-throw dynamic color-changing luminaires for lighting tall buildings, bridges, and iconic structures. ColorReach Compact Powercore offers a range of accessories that allow for customizable beam angles for floodlighting, spotlighting, wall washing, and grazing, along with the efficiency and cost-effectiveness of Powercore technology in a rugged die-cast aluminum housing.

### Features and Benefits

- Improved color mixing
- Unparalleled light output
- Expanded customization with a wide range of new Philips accessory options
- Superior color consistency and accuracy
- Integrates patented Powercore technology that controls power output to fixtures directly from line voltage
- Simple fixture positioning
- Universal power input range of 100 – 277 VAC
- Works seamlessly with the complete Philips Color Kinetics line of controllers, including ColorDial Pro, iPlayer 3, and Light System Manager—as well as third-party controllers

### Product size

All dimensions in millimeters



IP66 100Khrs

### Technical parameters

Item	ColorReach Compact Powercore
Type	UL / CE, CQC
Beam Angle	5° primary optic (no spread lens) 8°/13°/23°/43°/63°/5° x 17° (asymmetric) spread lenses
Lumens	4,658 (RGB), 4,993 (RGBA), 5,531 (RGBW)
LED Channels	Red/Green/Blue, Red/Green/Blue/Amber, Red/Green/Blue/4000 K
Lumen Maintenance	100,000 hours L70 @ 25° C 100,000 hours L70 @ 50° C
Input Voltage	<b>UL / CE :</b> 100 – 277 VAC, auto-switching, 50/60 Hz <b>CQC :</b> 100 – 240 VAC, auto-switching, 50/60 Hz
Power Consumption	<b>UL / CE :</b> 135 W maximum at full output, steady state <b>CQC :</b> 130 W maximum at full output, steady state
Interface	Data Enabler Pro (DMX / Ethernet)
Control System	Philips Color Kinetics full range of controllers, including Light System Manager, iPlayer 3, and ColorDial Pro, or third-party controllers
Dimensions (Height x Width x Depth)	350 x 733 x 196 mm (13.8 x 28.9 x 7.7 in)
Weight	23 kg (51 lb)
Effective Projected Area (EPA)	0.186 m <sup>2</sup>
Housing	Die-cast aluminium, powder-coated finish
Mechanical Impact	IK07
Lens	Tempered glass
Fixture Connections	<b>UL / CE :</b> Integral male/female waterproof connector <b>CQC :</b> Integral male/female waterproof connector, 1.8 m (6 ft) unified power/data cable
Temperature Ranges	-40° – 50° C (-40° – 122° F) Operating -20° – 50° C (-4° – 122° F) Startup -40° – 80° C (-40° – 176° F) Storage
Humidity	0 – 95%, non-condensing
Fixture Run Lengths	To calculate fixture run lengths and total power consumption for your specific installation, download the Configuration Calculator from <a href="http://www.philipscolorkinetics.com/support/install_tool/">www.philipscolorkinetics.com/support/install_tool/</a>
Certification	<b>UL / CE :</b> UL/cUL, CE, FCC Class A, PSE <b>CQC :</b> CQC, FCC Class A, CE, PSE, C-Tick
Environment	Dry / Damp / Wet Location, IP66





CHROMACORE<sup>®</sup> CK TECHNOLOGY | OPTIBIN<sup>®</sup> CK TECHNOLOGY | POWERCORE<sup>®</sup> CK TECHNOLOGY



# ColorBurst Powercore Gen2

Architectural and landscape LED spotlight with intelligent color light

**ActiveSite** system compatible

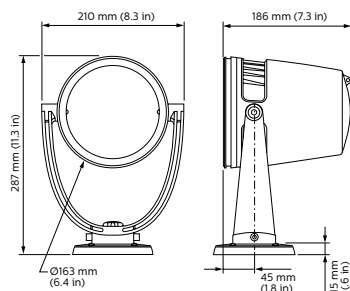
ColorBurst Powercore gen2 is a high-output, exterior-rated LED lighting fixture designed for accent and site lighting. Standard format Architectural and Landscape fixtures deliver full-color light output of up to 1,293 lumens to support a range of dynamic uplighting, floodlighting, and decorative lighting applications.

### Features and Benefits

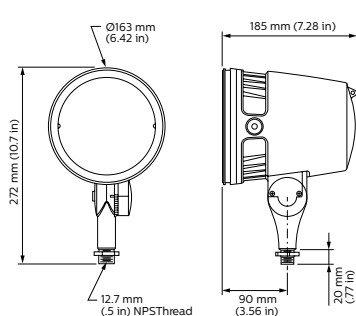
- Expands customization with a wide range of new Philips accessory options
- Improves color consistency between all LED fixtures in a family with Chromasync technology
- Meets ASTM G85 corrosion resistance and ANSI C136.31-2010 standard with a 3G vibration rating
- Features an innovative, redesigned optical system that improves the quality of light from each LED
- Improves durability with new flat lens that prevents water from pooling into the fixture
- Integrates patented Powercore technology that controls power output to fixtures directly from line voltage
- Universal power input range of 100 – 277 VAC
- Works seamlessly with the complete Philips Color Kinetics line of controllers, including ColorDial Pro, iPlayer 3, and Light System Manager

### Product size

All dimensions in millimeters



ColorBurst Powercore gen2 Architectural



ColorBurst Powercore gen2 Landscape



IP66 48Khrs up to 96 lm/W

### Technical parameters

Item	ColorBurst Powercore gen2		
Beam Angle	8° primary optic Optional diffusers: 20°/40°/60°/80°/10° x 40° (asymmetric)		
LED Channels	<b>RGB</b>	<b>RGBA</b>	<b>RGBW</b>
Lumens	963	1151	1293
Efficacy	35	36	40
Lumen Maintenance	48,000+ hours L70 @ 25° C 48,000+ hours L70 @ 50° C		
Effective Projected Area (EPA)	26053 mm <sup>2</sup>		
Input Voltage	100 – 277 VAC, auto-switching, 50/60 Hz via Data Enabler Pro		
Power Consumption	33 W maximum at full output, steady state		
Power Factor	> 0.9 @ 100 – 240 VAC, > 0.85 @ 277 VAC		
Interface	Data Enabler Pro (DMX/Ethernet)		
Control System	Philips Color Kinetics full range of controllers, including Light System Manager, Video System Manager Pro, iPlayer 3, Antumbra iColor Keypad, and ColorDial Pro, or third-party controllers		
Dimensions (Height x Width x Depth)	287 x 210 x 186 mm (11.3 x 8.3 x 7.3 in) Architectural 272 x 163 x 185 mm (10.7 x 6.42 x 7.28 in) Landscape		
Weight	5.5 kg (12.1 lb) Architectural 3.5 kg (7.7 lb) Landscape		
Housing	Die-cast aluminium, powder-coated finish		
Lens	Clear tempered glass		
Fixture Connections	1.8 m (6 ft) combined power data whip Architectural 152 mm (6 in) flying leads Landscape		
Temperature Ranges	-40° – 50° C (-40° – 122° F) Operating -20° – 50° C (-4° – 122° F) Startup -40° – 80° C (-40° – 176° F) Storage		
Humidity	0 – 95%, non-condensing		
Fixture Run Lengths	To calculate fixture run lengths and total power consumption for your specific installation, download the Configuration Calculator from <a href="http://www.philipscolorkinetics.com/support/install_tool/">www.philipscolorkinetics.com/support/install_tool/</a>		
Certification	UL, cUL, FCC Class A, CE, PSE, C-Tick, CQC, SAA		
Environment	Dry/Damp/Wet Location, IP66		
Corrosion Resistance	ASTM G85		
Vibration Resistance	ANSI C136.31-2010 3G Architectural ANSI C136.31-2010 1.5G Landscape		
Mechanical Impact	IK08		



CHROMACORE<sup>®</sup> CK TECHNOLOGY | OPTIBIN<sup>®</sup> CK TECHNOLOGY | POWERCORE<sup>®</sup> CK TECHNOLOGY



# ColorBurst Compact Powercore

Architectural and landscape LED spotlight with intelligent color light

**ActiveSite** system compatible

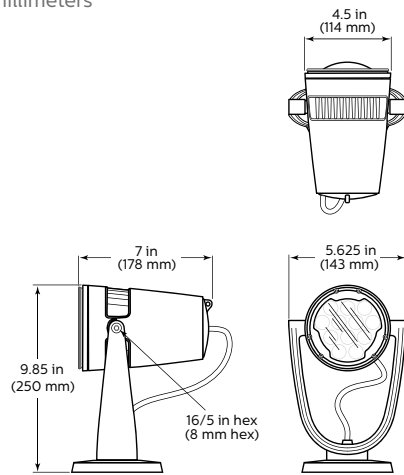
ColorBurst Compact Powercore is a high-output, exterior-rated LED lighting fixture designed for accent and site lighting. Standard format Architectural and Landscape fixtures deliver full-color light output of up to 647 lumens to support a range of dynamic uplighting, floodlighting, and decorative lighting applications.

### Features and Benefits

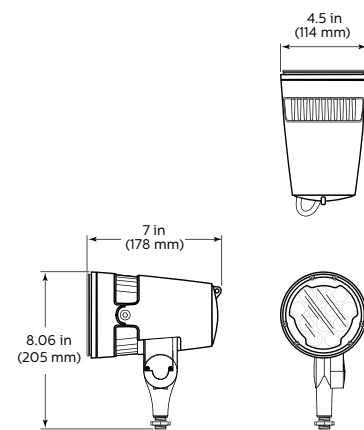
- Integrates patented Powercore technology
- Flexible mounting options in architectural applications
- Support for a wide range of landscape applications
- Outdoor rated
- Exchangeable optics and accessories
- Versatile light positioning
- Universal power input range
- Industry-leading controls

### Product size

All dimensions in millimeters



ColorBurst Compact Powercore Architectural



ColorBurst Compact Powercore Landscape



IP66 100Khrs

### Technical parameters

Item	ColorBurst Compact Powercore
Beam Angle	8° primary optic 14° / 23° / 41° spread lenses 10° x 41° asymmetric spread lens
Lumens	498 (8°) 429 (14°) 418 (23°) 405 (41°) 432 (10° x 41°)
LED Channels	Red / Green / Blue
Lumen Maintenance	100,000 hours L50 @ 25° C 90,000 hours L50 @ 50° C
Input Voltage	100 – 240 VAC, auto-switching, 50 / 60 Hz via Data Enabler Pro
Power Consumption	17.5 W maximum at full output, steady state
Interface	Data Enabler Pro (DMX / Ethernet)
Control System	Philips full range of controllers, including Light System Manager, iPlayer 3, and ColorDial Pro, or third-party controllers
Dimensions (Height x Width x Depth)	9.85 x 4.5 x 7.0 in (250 x 114 x 178 mm) Architectural 8.06 x 4.5 x 7.0 in (205 x 114 x 178 mm) Landscape
Weight	8.7 lb (3.9 kg) Architectural 4.4 lb (2.0 kg) Landscape
Housing	Die-cast aluminium, powder-coated finish
Lens	Tempered glass
Fixture Connections	6 ft (1.8 m) unified power / data cable with flying leads Architectural 6 in (152 mm) flying leads Landscape
Temperature Ranges	-40° – 122° F (-40° – 50° C) Operating -4° – 122° F (-20° – 50° C) Startup -40° – 176° F (-40° – 80° C) Storage
Vibration Resistance	Complies with ANSI C136.31 (Architectural only)
Humidity	0 – 95%, non-condensing
Fixture Run Lengths	77 @ 100 VAC 78 @ 120 VAC 78 @ 220 VAC 78 @ 240 VAC Example configuration: 20 A circuit, 20 ft (6.1 m) leader cable from Data Enabler Pro to the first junction box, and 2 ft (610 mm) jumper cables between fixtures
Certification	UL / cUL, FCC Class A, CE, PSE, C-Tick, CQC, SAA
Environment	Dry / Damp / Wet Location, IP66



CHROMACORE<sup>®</sup> | OPTIBIN<sup>®</sup>  
CK TECHNOLOGY | CK TECHNOLOGY



# ColorBurst 6

The original architectural LED spotlight with intelligent color light

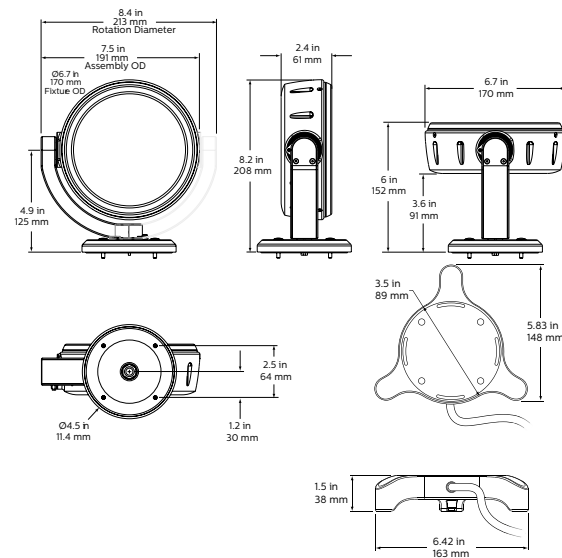
ColorBurst 6 combines the classical look of a round, 6 in (152 mm) spotlight with all the benefits of intelligent LED technology. Enclosed in a rugged, die-cast aluminum housing, this compact spotlighting and wall-washing fixture projects rich, saturated colors and color-changing effects both indoors and outdoors. Enclosed wiring gives ColorBurst 6 a neat appearance and optimum positioning. The housing is equipped with a three-screw accessory ring to affix spread lenses, egg-crate louvers, and other attachments.

## Features and Benefits

- Two beam angles
- High-intensity, energy-efficient light
- Flexible positioning and aiming
- Full range of accessories
- Versatile mounting options
- On-board temperature monitoring
- Industry-leading controls

## Product size

All dimensions in millimeters



IP66

50Khrs

## Technical parameters

Item	ColorBurst 6	
	Clear Lens	Frosted Lens
Beam Angle	10°	21°
Lumens	563	517
LED Channels	Red / Green / Blue	
Mixing Distance	6 in (152 mm) to uniform light	
Lumen Maintenance	50,000+ hours L50 @ 50° C (full output)	
Input Voltage	24 VDC via PDS-150e or PDS-60	
Power Consumption	25 W maximum at full output, steady state	
Interface	PDS-150e 24V (DMX / Ethernet) PDS-60 24V (Pre-programmed, or DMX / Ethernet)	
Control System	Philips full range of controllers, including iPlayer 3, Light System Manager, and ColorDial Pro, or third-party controllers	
Dimensions (Height x Width x Depth)	8.2 x 8.4 x 2.4 in (208 x 213 x 61 mm)	
Weight	4.1 lb (1.9 kg)	
Housing	Die-cast aluminium, black or white powder-coated finish	
Lens	Clear tempered glass	Frosted tempered glass
Fixture Connections	Flying leads on fixture Optional 60 ft (18.3 m) power / data cable with Mounting Base	
Temperature Ranges	-40° – 122° F (-40° – 50° C) Operating -4° – 122° F (-20° – 50° C) Startup -40° – 176° F (-40° – 80° C) Storage	
Humidity	0 – 95%, non-condensing	
Maximum Fixtures Per Power / Data Supply	PDS-150e 24V: 6 (3 per port) PDS-60 24V: 2 (1 per port)	
Certification	UL / cUL, CE, PSE, C-Tick, SAA	
Environment	Dry / Damp / Wet Location, IP66	



CHROMACORE<sup>®</sup> | OPTIBIN<sup>®</sup>  
CK TECHNOLOGY | CK TECHNOLOGY



# iColor MR gen3

Intelligent RGB MR16 LED lamp for intense, saturated bursts of color

**ActiveSite** system compatible

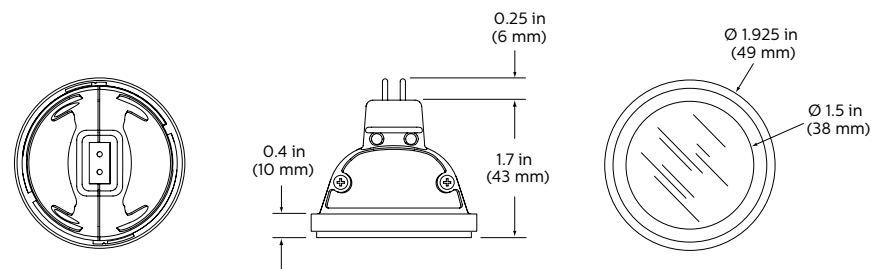
iColor MR gen3 is an intelligent color-changing lamp that delivers intense, saturated bursts of color and color-changing effects. The stylish housing fits into most standard MR16 fixtures, including tracks, cables, rails, and pendants. With high-intensity LED light sources and three beam angles, iColor MR gen3 is suitable for a wider range of architectural, theatrical, and retail applications.

### Features and Benefits

- Compatible with most MR16 fixtures and sockets
- Standard wiring and simple installation
- Three beam angles
- Efficient and cost-effective
- Industry-leading controls

### Product size

All dimensions in millimeters



IP20 100Khrs

### Technical parameters

Item	iColor MR gen3
Type	17° Beam Angle, 30° Beam Angle, 90° Beam Angle
Lumens	<b>17° Beam Angle:</b> 143 <b>30° Beam Angle:</b> 151 <b>90° Beam Angle:</b> 87
LED Channels	Red / Green / Blue
Lumen Maintenance	100,000 hours L70 @ 40° C 100,000 hours L70 @ 25° C 100,000 hours L50 @ 40° C 100,000 hours L50 @ 25° C
Input Voltage	24 VDC from PDS-70mr
Power Consumption	5 W maximum at full output, steady state
Interface	PDS-70mr 24V (DMX / Ethernet)
Control System	Philips Color Kinetics full range of controllers, including Light System Manager, iPlayer 3, and ColorDial Pro, or third-party controllers
Dimensions (Height x Width x Depth)	1.9 x 1.9 x 1.9 in (49 x 49 x 49 mm)
Weight	<b>17° Beam Angle:</b> 3.1 oz (88 g) <b>30° Beam Angle:</b> 3.0 oz (86 g) <b>90° Beam Angle:</b> 2.9 oz (84 g)
Housing	Die-cast zinc, silver finish
Lens	<b>17° Beam Angle:</b> Polycarbonate optic <b>30° Beam Angle:</b> Polycarbonate optic <b>90° Beam Angle:</b> Tempered glass
Fixture Connections	Standard 2-pin MR16 connector
Temperature Ranges	-4° – 104° F (-20° – 40° C) Operating -4° – 104° F (-20° – 40° C) Startup -40° – 176° F (-40° – 80° C) Storage
Humidity	0 – 95%, non-condensing
Maximum Fixture Run	14 maximum per PDS-70mr Maximum cable length 50 ft (15 m)
Certifications	UL / cUL, CE
Environment	Dry Location, IP20



CHROMACORE<sup>®</sup> CK TECHNOLOGY | OPTIBIN<sup>®</sup> CK TECHNOLOGY



# C-Splash 2

Submersible LED spotlight with intelligent color light

**ActiveSite** system compatible

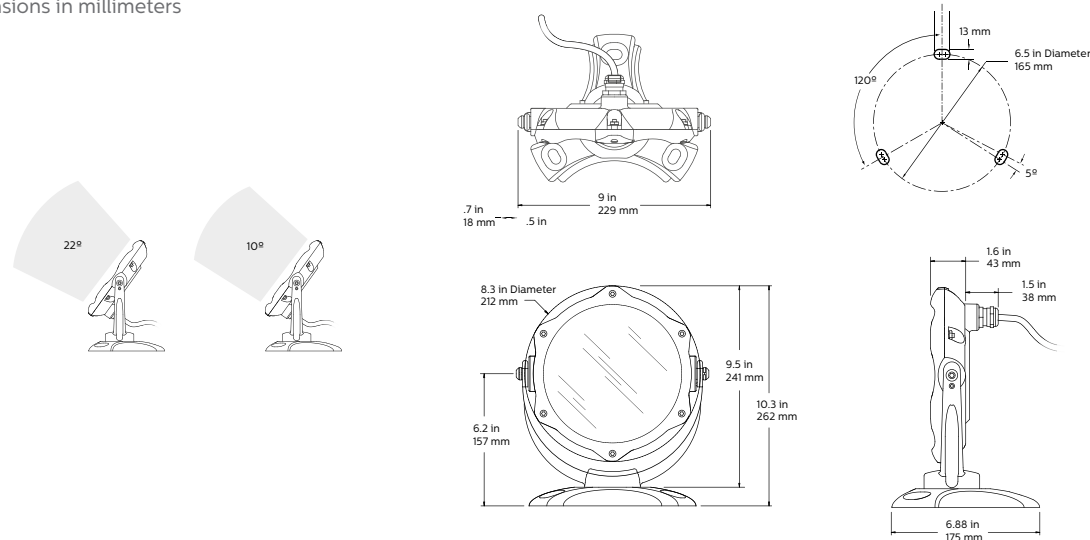
C-Splash 2 is an ultra-thin, submersible fixture designed to provide vibrant color and color-changing light in water to a depth of 15 ft (4.6 m). With its watertight cast brass housing and silicon bronze adjusting hardware, C-Splash 2 is perfect for water-based applications such as fountains and theme park installations, as well as for applications situated in harsh environments.

### Features and Benefits

- Rugged and watertight
- Two beam angles
- Unified power and data cable
- Industry-leading controls
- Versatile light positioning
- Temperature monitoring

### Product size

All dimensions in millimeters



IP68 50Khrs

### Technical parameters

Item	C-Splash 2
Type	Clear Lens, Frosted Lens
Beam Angle	<b>Clear Lens</b> : 10° <b>Frosted Lens</b> : 22°
Lumens	<b>Clear Lens</b> :583 <b>Frosted Lens</b> : 515
Lumen Maintenance	50,000+ hours L50 @ 50° C (full output)
LED Channels	Red / Green / Blue
Input Voltage	24 VDC via PDS-150e, or PDS-60
Power Consumption	25 W maximum at full output, steady state
Interface	PDS-150e 24V (DMX or Ethernet) PDS-60 24V (DMX, Pre-programmed, or Ethernet)
Control System	Philips full range of controllers, including Light System Manager, iPlayer 3, and ColorDial Pro or third-party controllers
Dimensions (Height x Width x Depth)	10.3 x 9 x 1.6 in (262 x 229 x 41 mm)
Weight	22 lb (10 kg)
Housing	Cast brass
Lens	<b>Clear Lens</b> : Clear tempered glass <b>Frosted Lens</b> : Tempered ground glass
Fixture Connections	60 ft (18.3 m) unified power / data cable
Temperature Ranges	-40° – 122° F (-40° – 50° C) Operating -4° – 122° F (-20° – 50° C) Startup -40° – 176° F (-40° – 80° C) Storage
Humidity	0 – 100%
Cable Length	60 ft (18.3 m) standard 150 ft (45.7 m) maximum 400 ft (121.9 m) total per power / data supply
Maximum Fixtures Per Power / Data Supply	PDS-150e 24V: 6 (1 per port) PDS-60 24V: 2 (1 per port)
Certifications	UL / cUL, FCC Class A, CE, C-Tick, CQC, SAA
Environment	Dry / Damp / Wet, IP68



iColor Cove MX Powercore



CHROMACORE<sup>®</sup> CKTECHNOLOGY | OPTIBIN<sup>®</sup> CKTECHNOLOGY | POWERCORE<sup>®</sup> CKTECHNOLOGY



# iColor Cove MX Powercore

Premium interior linear LED cove and accent fixture with intelligent color light

**ActiveSite** system compatible

iColor Cove MX Powercore high-intensity LED fixtures afford virtually limitless options for filling indoor alcoves and accent spaces with vibrant light. As the premium member of the iColor Cove family of intelligent color cove lights, this compact, high-performance fixture is also ideally suited for backlighting and cost-effective indoor wall washing. iColor Cove MX Powercore combines professional-grade color mixing and output of up to 387 lumens per foot with the efficiency and cost-effectiveness of Powercore technology.

### Features and Benefits

- High-performance illumination
- Integrates Powercore technology
- Superior color consistency
- Advanced color mixing
- Industry-leading controls
- Universal power input range
- Easy installation
- Flexible mounting and positioning

### Product size

All dimensions in millimeters



IP20 120Khrs

### Technical parameters

Item	iColor Cove MX Powercore
Type	1 ft (305 mm), 4 ft (1.2 m)
Lumens	<b>1 ft (305 mm):</b> 387 (125° x 120°), 296 (50° x 70°) <b>4 ft (1.2 m):</b> 1500 (125° x 120°), 968 (50° x 70°)
Lumen Maintenance	120,000 hours L50 @ 25° C 90,000 hours L50 @ 50° C
LED Channels	Red / Green / Blue
Input Voltage	100 – 240 VAC, auto-switching, 50 / 60 Hz
Power Consumption	<b>1 ft (305 mm):</b> 13 W maximum at full output, steady state <b>4 ft (1.2 m):</b> 50 W maximum at full output, steady state
Interface	Data Enabler Pro (DMX or Ethernet)
Control System	Philips full range of controllers, including Light System Manager, iPlayer 3, and ColorDial Pro, or third-party controllers
Dimensions (Height x Width x Depth)	<b>1 ft (305 mm):</b> 1.64 x 12 x 1.5 in (42 x 305 x 38 mm) (125° x 120°) <b>1 ft (305 mm):</b> 2.00 x 12 x 1.5 in (51 x 305 x 38 mm) (50° x 70°) <b>4 ft (1.2 m):</b> 1.64 x 48 x 1.5 in (42 x 1219 x 38 mm) (125° x 120°) <b>4 ft (1.2 m):</b> 2.00 x 48 x 1.5 in (51 x 1219 x 38 mm) (50° x 70°)
Weight	<b>1 ft (305 mm):</b> 0.82 lb (372 g) (125° x 120°) <b>1 ft (305 mm):</b> 1 lb (454 g) (50° x 70°) <b>4 ft (1.2 m):</b> 4.1 lb (1.85 kg) (125° x 120°) <b>4 ft (1.2 m):</b> 4.6 lb (2.1 kg) (50° x 70°)
Housing	Die-cast aluminium, white powder-coated finish.
Lens	Polycarbonate
Fixture Connections	Integral male / female connectors
Temperature Ranges	-4° – 122° F (-20° – 50° C) Operating -4° – 122° F (-20° – 50° C) Startup -40° – 176° F (-40° – 80° C) Storage
Humidity	0 – 95%, non-condensing
Certification	UL / cUL, FCC Class B, CE, PSE, CCC, C-Tick, SAA
Environment	Dry / Damp Location, IP20



CHROMACORE<sup>®</sup> CK TECHNOLOGY | OPTIBIN<sup>®</sup> CK TECHNOLOGY | POWERCORE<sup>®</sup> CK TECHNOLOGY



# iColor Cove QLX Powercore

Performance line-voltage LED cove and accent fixture with intelligent color light

**ActiveSite** system compatible

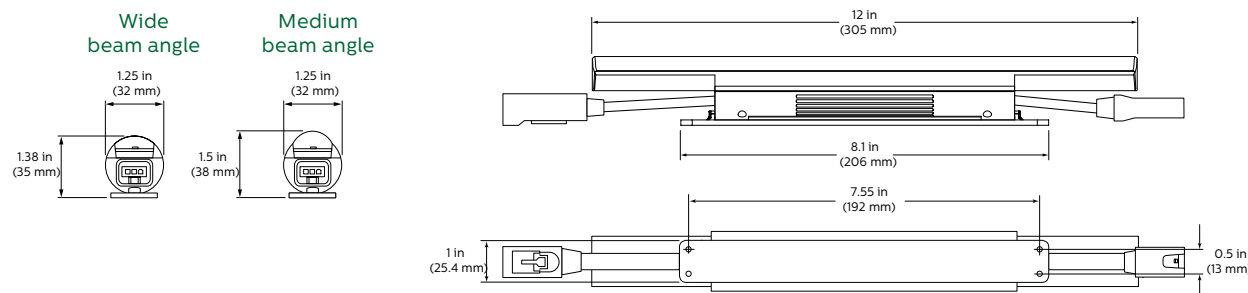
At up to 132 lumens per foot, iColor Cove QLX Powercore compact linear LED cove fixtures deliver saturated color and dynamic effects in an economical, energy-efficient package. Wide and medium beam angles, an integrated rotating mount for precise positioning, and flexible mounting options support a wide range of backlighting, cove lighting, and accent lighting applications.

### Features and Benefits

- Generous light output, low power consumption
- Integrates patented Powercore technology
- Superior color consistency
- Advanced color mixing
- Easy installation
- Universal power input range
- Industry-leading controls
- Flexible mounting and positioning

### Product size

All dimensions in millimeters



IP20 100Khrs

Technical parameters	
Item	iColor Cove QLX Powercore
Type	1 ft (305 mm)
Lumens	130 (115° x 110°) 132 (70° x 105°)
Lumen Maintenance	30,000 hours L70 @ 50° C 45,000 hours L70 @ 25° C 100,000 hours L50 @ 50° C 100,000 hours L50 @ 25° C
LED Channels	Red / Green / Blue
Input Voltage	100 – 277 VAC, auto-ranging, 50 / 60 Hz
Power Consumption	8 W maximum at full output, steady state
Interface	Data Enabler Pro (DMX or Ethernet)
Control System	Philips Color Kinetics full range of controllers, including Light System Manager, iPlayer 3, and ColorDial Pro, or third-party controllers
Dimensions (Height x Width x Depth)	1.38 x 12 x 1.25 in (35 x 305 x 32 mm) (115° x 110°) 1.5 x 12 x 1.25 in (38 x 305 x 32 mm) (70° x 105°)
Weight	6.7 oz (190 g) (115° x 110°) 7.5 oz (212 g) (70° x 105°)
Housing	Injection-molded plastic, white finish
Lens	Polycarbonate
Fixture Connections	Integral male / female connectors
Temperature Ranges	-4° – 122° F (-20° – 50° C) Operating -4° – 122° F (-20° – 50° C) Startup -40° – 176° F (-40° – 80° C) Storage
Humidity	0 – 95%, non-condensing
Certification	UL / cUL, FCC Class B, CE, CSA, CQC, C-Tick
Environment	Dry / Damp Location, IP20



CHROMACORE<sup>®</sup> | OPTIBIN<sup>®</sup> | POWERCORE<sup>®</sup>  
CK TECHNOLOGY | CK TECHNOLOGY | CK TECHNOLOGY



# iColor Cove EC Powercore

Cost-effective line-voltage LED cove and accent fixture with intelligent color light

**ActiveSite** system compatible

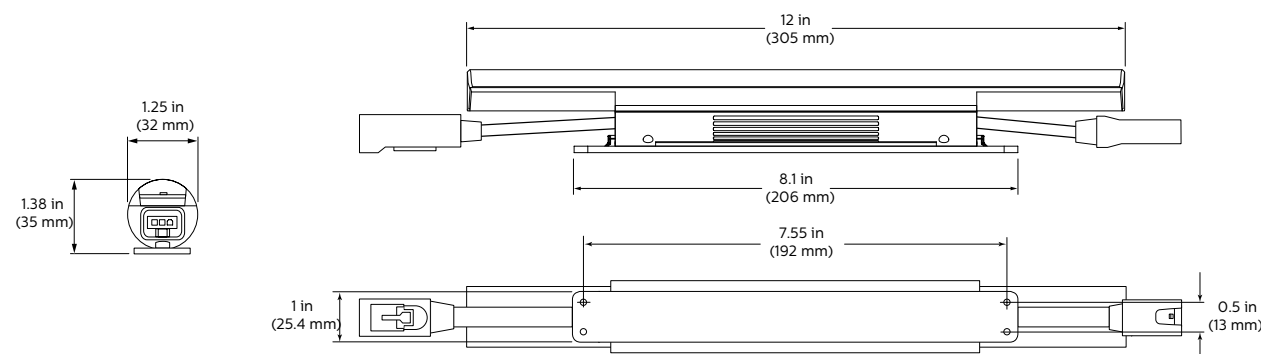
iColor Cove EC Powercore is the most cost-effective member of the popular iColor Cove family. This compact fixture is designed for accent, perimeter, cove lighting, and backlighting where lower light intensity and lower costs are desired. iColor Cove EC Powercore combines professional-grade color mixing with the efficiency and cost-effectiveness of patented Powercore technology to bring color-changing light and lighting effects to alcoves, task areas, and other tight spaces.

## Features and Benefits

- High-quality light output, low power consumption
- Integrates patented Powercore technology
- Superior color consistency
- Advanced color mixing
- Easy installation
- Universal power input range
- Industry-leading controls
- Flexible mounting and positioning

## Product size

All dimensions in millimeters



IP20

100Khrs

## Technical parameters

Item	iColor Cove EC Powercore, 12in (305mm)
Type	UL / cUL / CE / CCC
Beam Angle	110° x 120°
Lumens	90
Lumen Maintenance	45,000 hours L70 @ 50° C 100,000 hours L70 @ 25° C 80,000 hours L50 @ 50° C 100,000 hours L50 @ 25° C
LED Channels	Red / Green / Blue
Input Voltage	100 – 277 VAC, auto-ranging, 50 / 60 Hz
Power Consumption	5 W maximum at full output, steady state
Interface	Data Enabler Pro (DMX or Ethernet)
Control System	Philips Color Kinetics full range of controllers, including Light System Manager, iPlayer 3, and ColorDial Pro, or third-party controllers
Dimensions (Height x Width x Depth)	1.38 x 12 x 1.25 in (42 x 305 x 35 mm) (110° x 120°)
Weight	0.42 lb (189 g)
Housing	Injection-molded plastic, gray finish
Lens	Polycarbonate
Fixture Connections	Integral male / female connectors
Temperature Ranges	-4° – 122° F (-20° – 50° C) Operating -4° – 122° F (-20° – 50° C) Startup -40° – 176° F (-40° – 80° C) Storage
Humidity	0 – 95%, non-condensing
Fixture Run Lengths	To calculate fixture run lengths and total power consumption for your specific installation, download the Configuration Calculator from <a href="http://www.philipscolorkinetics.com/support/install_tool/">www.philipscolorkinetics.com/support/install_tool/</a>
Certification	UL / cUL, FCC Class B, CE, CSA, CQC, C-Tick
Environment	Dry / Damp Location, IP20



CHROMACORE<sup>®</sup> | OPTIBIN<sup>®</sup>  
CK TECHNOLOGY | CK TECHNOLOGY



# iColor Cove QLX

Performance linear interior LED cove and accent fixture with intelligent color light

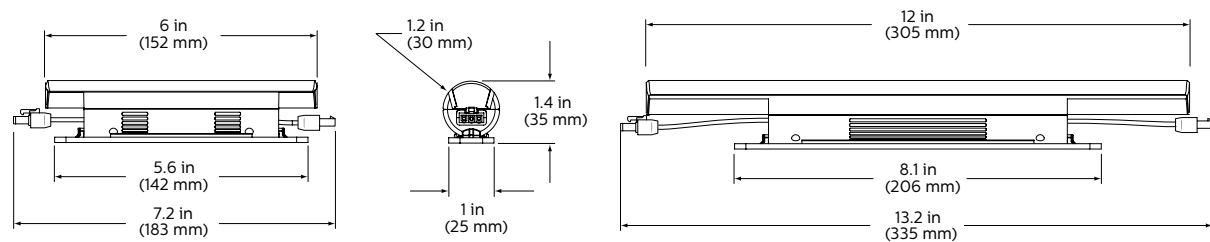
iColor Cove QLX is a compact linear LED fixture that generates saturated color and dynamic effects in alcoves, accent areas, and other interior spaces. The fixture is available in two standard lengths and wide or medium beam angles. An integrated rotating mount provides precise positioning, while optional mounting tracks allow quick project setup in linear applications. Flexible mounting and positioning options let you install fixtures in virtually any desired configuration.

### Features and Benefits

- Cost-effective and energy-efficient
- Versatile applications
- Superior color mixing
- Industry-leading controls
- Flexible mounting and positioning

### Product size

All dimensions in millimeters



### Technical parameters

Item	iColor Cove QLX
Type	6 in (152 mm), 12 in (305 mm)
Beam Angle	120° x 120° (wide) / 100° x 40° (medium)
Lumens	<b>Type 6 in, Beam Angle 120° x 120°</b> : 25 <b>Type 12 in, Beam Angle 120° x 120°</b> : 46 <b>Type 6 in, Beam Angle 100° x 40°</b> : 21 <b>Type 12 in, Beam Angle 100° x 40°</b> : 39
LED Channels	Red / Green / Blue
Mixing Distance	2 in (51 mm) to uniform light
Lumen Maintenance	50,000 hours L50 @ 25° C 23,000 hours L50 @ 50° C
Input Voltage	24 VDC via sPDS-60ca, PDS-60ca, and sPDS-480ca.
Power Consumption	<b>Type 6 in:</b> 2 W maximum at full output, steady state <b>Type 12 in:</b> 3 W maximum at full output, steady state
Interface	sPDS-60ca 24V (DMX or Ethernet) PDS-60ca 24V (Pre-programmed, DMX, or Ethernet) sPDS-480ca 24V (Ethernet)
Control System	Philips full range of controllers, including Light System Manager and iPlayer 3, and ColorDial Pro, or third-party controllers
Dimensions (Height x Width x Depth)	<b>Type 6 in:</b> 1.2 x 6 x 1.4 in (30 x 152 x 36 mm) <b>Type 12 in:</b> 1.2 x 12 x 1.4 in (30 x 305 x 36 mm)
Weight	<b>Type 6 in:</b> 3 oz (85 g) <b>Type 12 in:</b> 5 oz (142 g)
Housing	Charcoal gray injection-molded plastic
Lens	Clear polycarbonate
Fixture Connections	Integral male / female connectors
Temperature Ranges	-4° – 122° F (-20° – 50° C) Operating -4° – 122° F (-20° – 50° C) Startup -40° – 176° F (-20° – 80° C) Storage
Humidity	0 – 95%, non-condensing
Maximum Fixtures Per Power / Data Supply	<b>Type 6 in, PDS-60ca 24V:</b> 30 total <b>Type 12 in, PDS-60ca 24V:</b> 20 total <b>Type 6 in, sPDS-60ca 24V:</b> 30 total <b>Type 12 in, sPDS-60ca 24V:</b> 20 total <b>Type 6 in, sPDS-480ca 24V:</b> 240 total, 30 per power port <b>Type 12 in, sPDS-480ca 24V:</b> 160 total, 20 per power port
Certifications	UL / cUL, FCC Class B, CE, PSE, C-Tick, SAA
Environment	Dry Location, IP20



CHROMACORE<sup>®</sup> CK TECHNOLOGY | OPTIBIN<sup>®</sup> CK TECHNOLOGY | CHROMASYNC<sup>®</sup> CK TECHNOLOGY



# iColor Cove EC

Cost-effective linear interior LED cove and accent fixture with intelligent color light

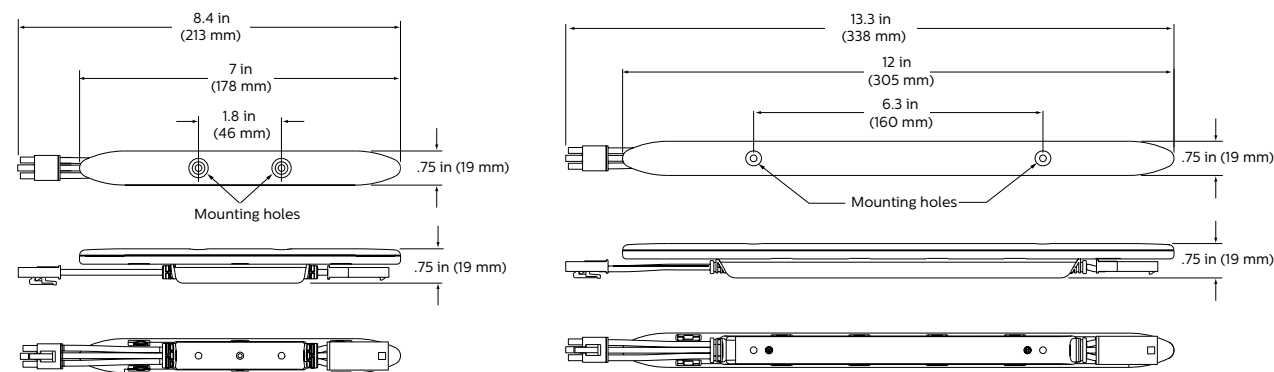
iColor Cove EC is the most cost-effective option in the popular iColor Cove family. This low-profile fixture is designed for accent, perimeter, or cove lighting where lower light intensity and lower costs are desired. iColor Cove EC offers an economical way to bring color-changing light and lighting effects to alcoves, task areas, and other tight spaces.

### Features and Benefits

- Soft-edge light projection
- Simple, rapid installation
- Versatile positioning
- Cost-effective and energy-efficient
- Highly consistent color
- Industry-leading controls

### Product size

All dimensions in millimeters



IP20 50Khrs

### Technical parameters

Item	iColor Cove EC
Type	7 in (178 mm), 12 in (305 mm)
Beam Angle	120° x 120°
Lumens	<b>7 in (178 mm): 7.4</b> <b>12 in (305 mm): 11</b>
LED Channels	Red / Green / Blue
Mixing Distance	2 in (51 mm) to uniform light
Lumen Maintenance	50,000 hours L50 @ 50° C (full output)
Input Voltage	24 VDC via PDS-60ca 24V, sPDS-60ca 24V, or sPDS-480ca 24V
Power Consumption	2 W maximum at full output, steady state
Interface	PDS-60ca 24V (DMX, Preprogrammed, or Ethernet), sPDS-60ca 24V (DMX / Ethernet), or sPDS-480ca 24V
Control System	Philips full range of controllers, including Light System Manager, iPlayer 3, and ColorDial Pro, or third-party controllers
Dimensions (Height x Width x Depth)	<b>7 in (178 mm):</b> 0.75 x 7 x 0.75 in (19 x 178 x 19 mm) <b>12 in (305 mm):</b> 0.75 x 12 x 0.75 in (19 x 305 x 19 mm)
Weight	<b>7 in (178 mm):</b> 2 oz (57 g) <b>12 in (305 mm):</b> 3 oz (85 g)
Housing	Rigid plastic
Lens	Clear polycarbonate
Fixture Connections	Integral male / female connectors
Temperature Ranges	-40° – 122° F (-40° – 50° C) Operating -4° – 122° F (-20° – 50° C) Startup -40° – 176° F (-40° – 80° C) Storage
Humidity	0 – 95%, non-condensing
Maximum Fixtures Per Power / Data Supply	PDS-60ca 24V or sPDS-60ca 24V: 30 fixtures total sPDS-480ca 24V: 240 fixtures total
Certification	UL / cUL, CE
Environment	Dry Location, IP20





CHROMASIC™ CK TECHNOLOGY | OPTIBIN® CK TECHNOLOGY



# iColor Flex LMX gen2

Flexible strands of high-intensity LED nodes with intelligent color light

**ActiveSite** system compatible

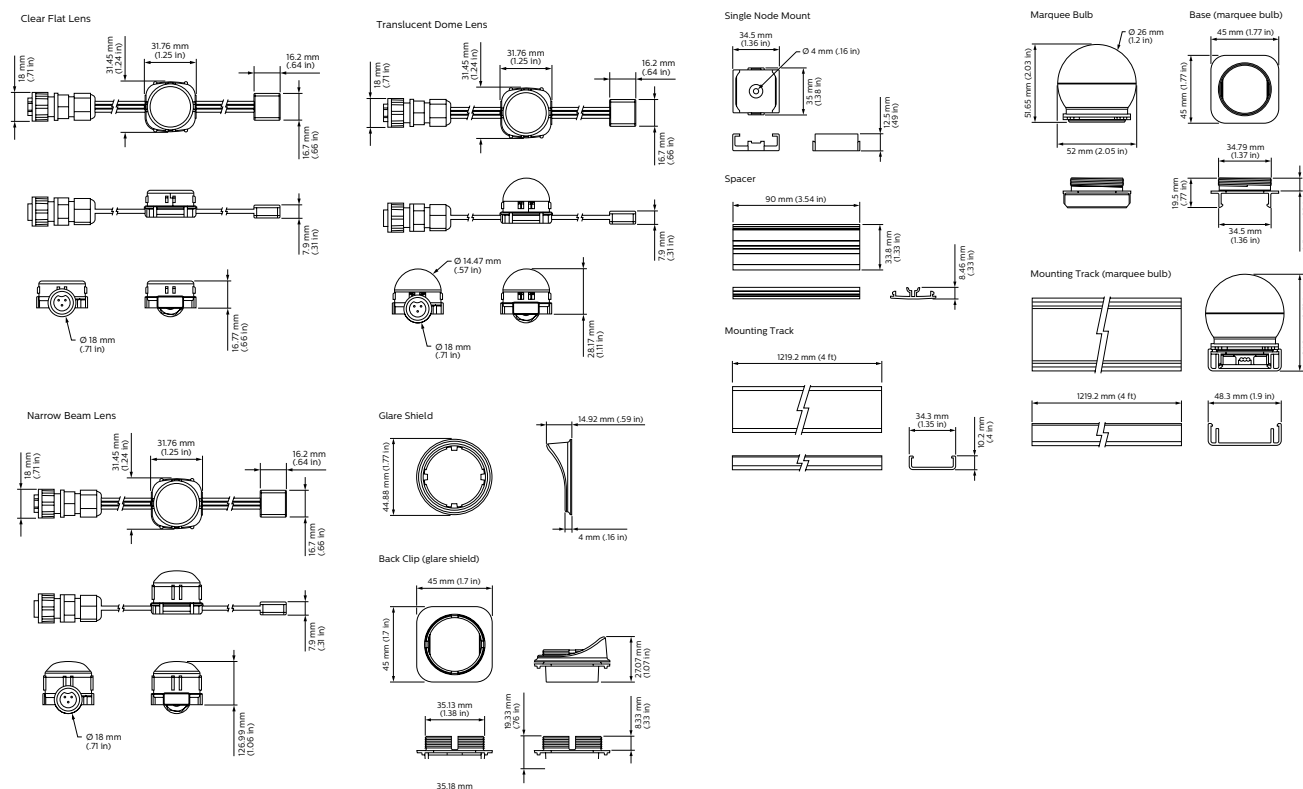
iColor Flex LMX gen2 are flexible strands of large, high-intensity, full-color LED nodes designed for extraordinary effects and expansive installations without the constraints of fixture size, shape, or space. Each iColor Flex LMX gen2 strand consists of 50 individually addressable LED nodes, featuring dynamic integration of power, communication, and control. The flexible form factor accommodates two and three-dimensional configurations, while high light output affords superior long-distance viewing for architectural accent and perimeter lighting, large-scale signage, and building-covering video displays.

### Features and Benefits

- Multiple lens options
- Adaptable mounting
- Standard and custom lengths and node spacing
- Custom Leader Cables
- Industry-leading controls
- Outdoor rated

### Product size

All dimensions in millimeters



IP66

Technical parameters	
Item	iColor Flex LMX gen2
Type	Clear Flat Lens, Translucent Dome Lens, Narrow Beam Lens
Lumens Per Node	<b>Clear Flat Lens:</b> 30 <b>Translucent Dome Lens:</b> 13 <b>Narrow Beam Lens:</b> 28
On-Axis Candela Per Node	<b>Clear Flat Lens:</b> 11.0 <b>Translucent Dome Lens:</b> 2.2 <b>Narrow Beam Lens:</b> 28.7
Luminance Per Node	<b>Clear Flat Lens:</b> 17,004 cd / m <sup>2</sup> <b>Translucent Dome Lens:</b> 3,450 cd / m <sup>2</sup> <b>Narrow Beam Lens:</b> 41,949 cd/m <sup>2</sup>
Viewing Angle	<b>Clear Flat Lens:</b> 105° <b>Translucent Dome Lens:</b> 165° <b>Narrow Beam Lens:</b> 36°
LED Channels	Red / Green / Blue
Input Voltage	24 VDC via sPDS-480ca, PDS-60ca, and sPDS-60ca
Power Consumption	1 W max. per node at full output, steady state
Interface	PDS-60ca 24V (Pre-programmed or DMX/Ethernet) sPDS-60ca 24V (DMX/Ethernet) sPDS-480ca 24V (Ethernet)
Control System	Philips Color Kinetics full range of controllers, including Light System Manager, Video System Manager Pro, iPlayer 3, Antumbra iColor Keypad, and ColorDial Pro, or third-party controllers
Node Dimensions Height x Width x Depth	<b>Clear Flat Lens:</b> 31 x 32 x 17 mm (1.2 x 1.3 x 0.7 in) <b>Translucent Dome Lens:</b> 31 x 32 x 25 mm (1.2 x 1.3 x 1 in) <b>Narrow Beam Lens:</b> 31 x 32 x 27 mm (1.2 x 1.3 x 1.1 in)
Weight	1.0 kg (2.2 lb) 50-node strand, 4 in on-center node spacing 1.5 kg (3.3 lb) 50-node strand, 12 in on-center node spacing
Housing	White or black polycarbonate
Lens	Clear or translucent polycarbonate
Fixture Connections	Integrated watertight 3-pin connector
Temperature Ranges	-40° – 50° C (-40° – 122° F) Operating -20° – 50° C (-4° – 122° F) Startup -40° – 80° C (-40° – 176° F) Storage ≥ 0° C (≥ 32° F) Handling
Humidity	0 – 95%, non-condensing
Maximum Fixtures Per Power / Data Supply	PDS-60ca 24V: 1 strand sPDS-480ca 24V: 8 strands sPDS-60ca 24V: 1 strand
Certification	UL/cUL, CE, FCC Class A
Environment	Dry / Damp / Wet Location, IP66



CHROMACORE<sup>®</sup> CK TECHNOLOGY | OPTIBIN<sup>®</sup> CK TECHNOLOGY | CHROMASIC<sup>™</sup> CK TECHNOLOGY



# iColor Flex MX gen2

Flexible strands of high-intensity LED nodes with intelligent color light

**ActiveSite** system compatible

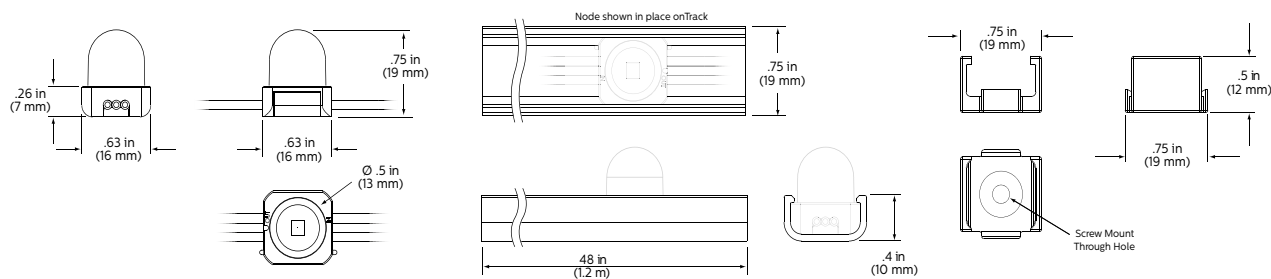
iColor Flex MX gen2 is a multi-purpose, high-intensity strand of 50 full-color LED nodes for generating extraordinary effects without the constraints of fixture size or shape. iColor Flex MX gen2 enables patterns and video on almost any interior or exterior surface, including ceilings, floors, three dimensional objects, sculptures, and more. Its small node size allows installation in tighter spaces than the larger iColor Flex LMX gen2 strands.

### Features and Benefits

- Supports cost-effective video displays
- Multiple lens options
- Adaptable mounting
- Standard and custom lengths and node spacing
- Custom Leader Cables
- Industry-leading controls
- Durable and weather-resistant

### Product size

All dimensions in millimeters



IP66 60Khrs

Technical parameters	
Item	iColor Flex MX gen2
Type	Clear Dome Lens, Translucent Dome Lens
Lumens Per Node	<b>Clear Dome Lens: 6</b> <b>Translucent Dome Lens: 4</b>
On-Axis Candela Per Node	<b>Clear Dome Lens: 2.3</b> <b>Translucent Dome Lens: 1.0</b>
Luminance Per Node	<b>Clear Dome Lens: 17,543 cd / m<sup>2</sup></b> <b>Translucent Dome Lens: 5819 cd / m<sup>2</sup></b>
Viewing Angle	<b>Clear Dome Lens: 105°</b> <b>Translucent Dome Lens: 165°</b>
Lumen Maintenance	60,000 hours L70 @ 50° C 60,000 hours L70 @ 25° C 60,000 hours L50 @ 50° C 60,000 hours L50 @ 25° C
LED Channels	Red / Green / Blue
Input Voltage	7.5 VDC via sPDS-480ca, PDS-60ca
Power Consumption	0.5 W max. per node at full output, steady state
Interface	sPDS-480ca 7.5V (Ethernet) PDS-60ca 7.5V (Pre-programmed or DMX / Ethernet)
Control System	Philips full range of controllers, including Video System Manager Pro, Light System Manager, and iPlayer 3, or thirdparty controllers
Node Dimensions Height x Width x Depth	<b>Clear Dome Lens: 19 mm x 16 mm x 16 mm</b> <b>Translucent Dome Lens: 19 mm x 16 mm x 16 mm</b>
Weight	381 g (13.4 oz) 50-node strand, 4 in on-center node spacing
Housing	White or black polycarbonate
Lens	Clear or translucent plastic
Fixture Connections	Integrated watertight 3-pin connector
Temperature Ranges	-40° – 50° C (-40° – 122° F) Operating ≥ 0° C (≥ 32° F) Handling -20° – 50° C (-4° – 122° F) Startup -30° – 85° C (-22° – 185° F) Storage
Humidity	0 – 95%, non-condensing
Maximum Fixtures Per Power / Data Supply	sPDS-480ca 7.5V: 16 strands, sPDS-60ca 7.5V: 2 strands
Certification	UL / cUL, FCC Class A, CE
Environment	Dry / Damp / Wet Location, IP66



CHROMACORE<sup>®</sup> CK TECHNOLOGY | OPTIBIN<sup>®</sup> CK TECHNOLOGY | POWERCORE<sup>®</sup> CK TECHNOLOGY



# iColor Accent MX Powercore

Precision-controlled direct view linear exterior LED fixture with intelligent color light

**ActiveSite** system compatible

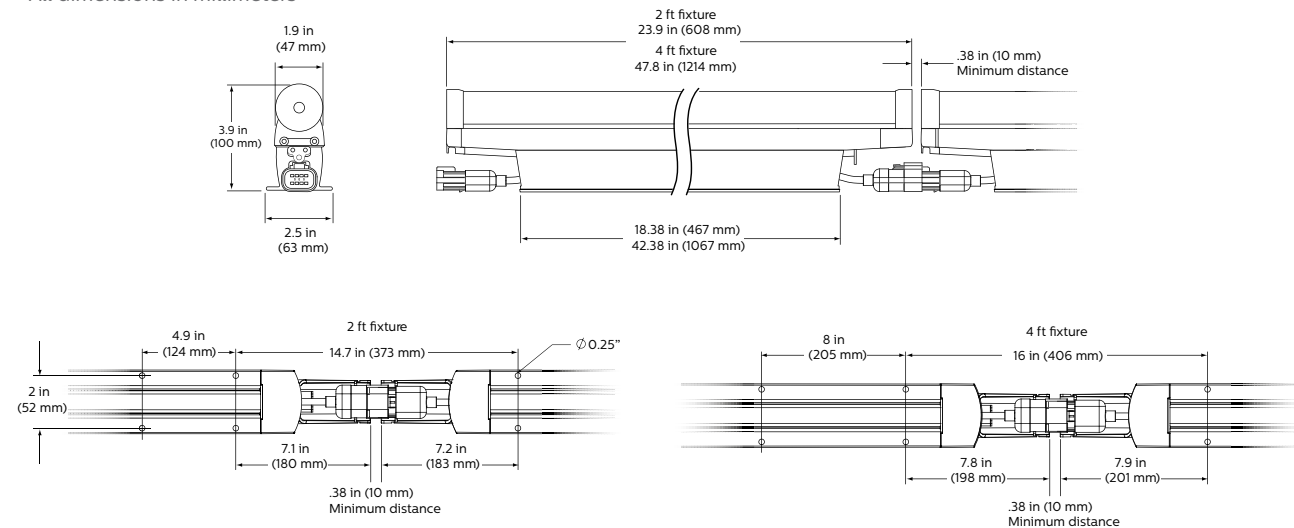
iColor Accent MX Powercore is a direct view linear LED fixture ideally suited for creating long ribbons of color and color-changing effects. Variable resolution offers the precision to display large-scale video, graphics, and intricately designed effects in a host of architectural, retail, and entertainment settings. iColor Accent MX Powercore offers the efficiency and cost-effectiveness of Powercore technology in an outdoor-rated, road-ready aluminum housing.

### Features and Benefits

- Integrates patented Powercore technology
- Native, onboard Ethernet
- Precise resolution control
- Two fixture lengths
- Rugged, durable construction
- Flexible positioning
- Industry-leading controls
- Universal power input range

### Product size

All dimensions in millimeters



IP66 50Khrs

Technical parameters	
Item	iColor Accent MX Powercore
Type	2 ft (610 mm), 4 ft (1.2 m)
Viewing Angle	220°
On-Axis Candela	52 (4 ft fixture)
Lumens	327 (4 ft fixture)
Lumen Maintenance	50,000+ hours L50 @ 50° C (full output)
LED Channels	Red / Green / Blue
Input Voltage	100 – 240 VAC, auto-switching, 50 / 60 Hz via Data Enabler Pro
Power Consumption	10 W per foot maximum at full output, steady state
Interface	Data Enabler Pro (DMX / Ethernet)
Control System	Philips full range of controllers, including Video System Manager Pro, Light System Manager, and iPlayer 3, or third-party controllers
Dimensions (Height x Width x Depth)	<b>2 ft (610 mm):</b> 3.9 x 23.9 x 2.5 in (100 x 606 x 64 mm) <b>4 ft (1.2 m):</b> 3.9 x 47.8 x 2.5 in (100 x 1213 x 64 mm)
Weight	<b>2 ft (610 mm):</b> 4.5 lb (2 kg) <b>4 ft (1.2 m):</b> 9.3 lb (4.2 kg)
Housing	Sealed plastic and extruded aluminum
Lens	Translucent plastic
Fixture Connections	Over-molded, integral male / female connectors
Temperature Ranges	-40° – 122° F (-40° – 50° C) Operating -4° – 122° F (-20° – 50° C) Startup -40° – 176° F (-40° – 80° C) Storage
Humidity	0 – 95%, non-condensing
Maximum Fixtures Per Power / Data Supply	25
Certification	UL / cUL, CE
Environment	Dry / Damp / Wet Location, IP66

iColor Accent Compact



CHROMACORE<sup>®</sup>  
CK TECHNOLOGY



# iColor Accent Compact

High resolution media direct view linear LED fixture with intelligent color light

**ActiveSite** system compatible

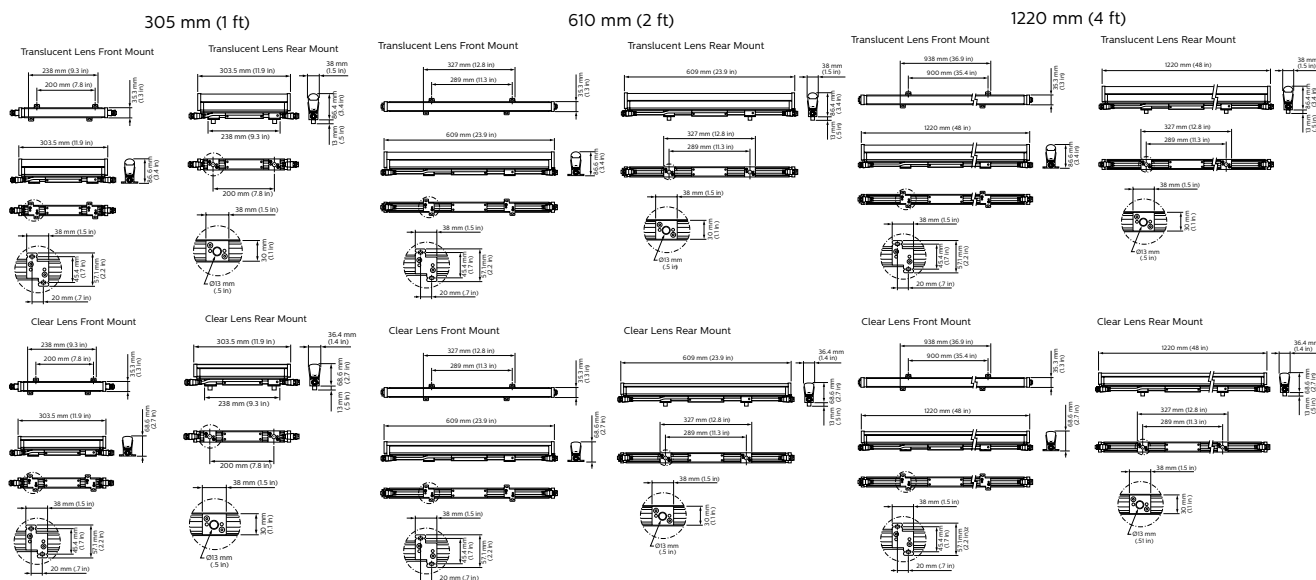
iColor Accent Compact is a direct view linear LED fixture ideally suited for displaying large-scale video, graphics, and intricately designed effects in a host of architectural settings. iColor Accent Compact accepts Ethernet input from the PDS-400 48V EO to support long control runs not subject to DMX data and addressing limitations. Two lens choices are available for iColor Accent Compact: a clear lens which delivers the brightest output and a translucent lens which provides the widest viewing angle.

### Features and Benefits

- Precise resolution control
- Native, onboard Ethernet
- Three fixture lengths
- Rugged, durable construction
- Flexible positioning
- Industry-leading controls
- Universal power input range
- ActiveSite integration

### Product size

All dimensions in millimeters



IP66

60Khrs

### Technical parameters

Item	iColor Accent Compact			
	305 mm (1 ft)	610 mm (2 ft)	1219 mm (4 ft)	
<b>Lumens</b>	Clear Lens	115	230	460
	Translucent Lens	88	176	352
<b>Lumens Per Pixel</b>	Clear Lens	7.2	14.4	28.8
	Translucent Lens	5.5	11	22
<b>Efficacy (lm/W)</b>	Clear Lens	12.1	12.1	12.1
	Translucent Lens	9.3	9.3	9.3
<b>On-Axis Candela</b>	Clear Lens	47	94	188
	Translucent Lens	20	40	80
<b>On-Axis Candela Per Pixel</b>	Clear Lens	2.9	2.9	2.9
	Translucent Lens	1.25	1.25	1.25
<b>Viewing Angle</b>	Clear Lens	105°		
	Translucent Lens	210°		
<b>Lumen Maintenance</b>	60,000+ hours L70 @ 25° C (full output) 60,000+ hours L70 @ 50° C (full output)			
<b>LED Channels</b>	Red / Green / Blue			
<b>Input Voltage</b>	100 – 277 VAC, auto-switching, 48V via PDS-400 48V EO			
<b>Power Consumption</b>	10 W per fixture maximum at full output, steady state	16 W per fixture maximum at full output, steady state	28 W per fixture maximum at full output, steady state	
<b>Interface</b>	PDS-400 48V EO, CM-400 48V EO			
<b>Control System</b>	Philips full range of controllers, including Video System Manager Pro, Light System Manager, and iPlayer 3, or third-party controllers			
<b>Dimensions (Height x Width x Depth)</b>	Clear Lens	68.6 x 303.5 x 35.3 mm (2.7 x 11.9 x 1.3 in)	68.6 x 609 x 35.3 mm (2.7 x 23.9 x 1.3 in)	68.6 x 1220 x 35.3 mm (2.7 x 48 x 1.3 in)
	Translucent Lens	86.6 x 303.5 x 35.3 mm (3.4 x 11.9 x 1.3 in)	86.6 x 609 x 35.3 mm (3.4 x 23.9 x 1.3 in)	86.6 x 1220 x 35.3 mm (3.4 x 48 x 1.3 in)
<b>Weight</b>	Clear Lens	1.3 lb (0.61 kg)	2 lb (0.91 kg)	3.4 lb (1.53 kg)
	Translucent Lens	1.4 lb (0.63 kg)	2.1 lb (0.96 kg)	3.6 lb (1.64 kg)
<b>Housing</b>	Extruded aluminum/polycarbonate			
<b>Lens</b>	Clear or translucent polycarbonate			
<b>Fixture Connections</b>	Over-molded, integral male/female connectors			
<b>Temperature Ranges</b>	-40° – 50° C (-40° – 122° F) Operating -20° – 50° C (-4° – 122° F) Startup -40° – 80° C (-40° – 176° F) Storage			
<b>Maximum Fixtures Per PDS-400 48V EO</b>	31	20	12	
<b>Humidity</b>	0 – 95%, non-condensing			
<b>Mechanical Impact</b>	IK10			
<b>Certification</b>	UL / cUL, CE, CQC, FCC Class A, RCM			
<b>Environment</b>	Dry/Damp/Wet Location, IP66			





CHROMACORE<sup>®</sup> CK TECHNOLOGY | OPTIBIN<sup>®</sup> CK TECHNOLOGY | POWERCORE<sup>®</sup> CK TECHNOLOGY



# ArchiPoint iColor Powercore

Exterior daylight-visible LED point with intelligent color light

**ActiveSite** system compatible

ArchiPoint iColor Powercore is a daylight-visible, exterior-rated LED point of light ideally suited for a range of direct-view and beacon applications, as well as for accent applications such as path and marker lighting. These versatile low-profile fixtures display large-scale video, graphics, and intricately designed effects in a host of settings, including architectural, retail, and entertainment installations. ArchiPoint iColor Powercore offers high-intensity output with the efficiency and cost-effectiveness of Powercore technology in a rugged, aluminum housing.

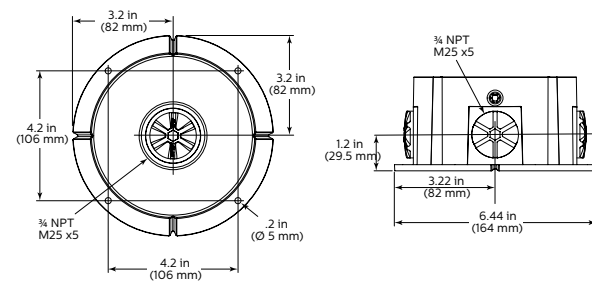
### Features and Benefits

- Daylight visible
- Direct view or illumination
- Multiple mounting base options
- Superior color consistency and accuracy
- Integrates Powercore technology
- Universal power input range
- Industry-leading controls
- Outdoor rated

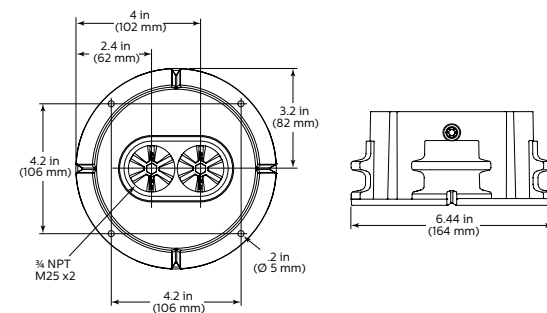
### Product size

All dimensions in millimeters

#### Conduit Mounting Base



#### Concealed Conduit Mounting Base



IP66 100Khrs

### Technical parameters

Item	ArchiPoint iColor Powercore
Viewing Angle	125° (clear flat lens) / 150° (translucent dome lens)
Luminance in Nits	25,150 cd / m2 (clear flat lens) / 10,877 cd / m2 (translucent dome lens)
Lumens	774 (clear flat lens) / 501 (translucent dome lens)
Lumen Maintenance	70,000 hours L70 @ 25° C 40,000 hours L70 @ 50° C 100,000 hours L50 @ 25° C 70,000 hours L50 @ 50° C
LED Channels	Red / Green / Blue
Input Voltage	100 – 240 VAC, auto-switching, 50 / 60 Hz via Data Enabler Pro
Power Consumption	25 W maximum at full output, steady state
Power Factor	0.93 @ 120 VAC
Maximum Wiring Volume	22.0 cu in
Interface	Data Enabler Pro (DMX / Ethernet)
Control System	Philips full range of controllers, including Video System Manager Pro, Light System Manager, and iPlayer 3, or third-party controllers
Fixture Dimensions (Height x Width x Depth)	3.9 x 6.4 x 6.4 in (76 x 164 x 164 mm) Flat lens 5.7 x 6.4 x 6.4 in (145 x 164 x 164 mm) Dome lens
Weight	3.2 lb (1.5 kg) Flat lens fixture 3.3 lb (1.4 kg) Dome lens fixture 1.7 lb (0.78 kg) Conduit Mounting Base 2.2 lb (0.98 kg) Concealed Conduit Mounting Base
Housing	Die-cast aluminum with silver gray powder-coated finish
Lens	Clear polycarbonate (clear flat lens) Translucent polycarbonate (translucent dome lens)
Fixture Connections	7 in (178 mm) flying leads
Temperature Ranges	-40° – 122° F (-40° – 50° C) Operating -4° – 122° F (-20° – 50° C) Startup -40° – 176° F (-40° – 80° C) Storage
Fixture Run Lengths	To calculate fixture run lengths and total power consumption for your specific installation, download the Configuration Calculator from <a href="http://www.philipscolorkinetics.com/support/install_tool/">www.philipscolorkinetics.com/support/install_tool/</a>
Humidity	0 – 95%, non-condensing
Vibration Resistance	ANSI C136.31
Certification	UL / cUL, FCC Class A, CE
Environment	Dry / Damp / Wet Location, IP66